

SECTION 1

FLUSH INSET INSTALLATION



SECTION 2

STANDARD INSTALLATION

1/4" FRAMED PANELS



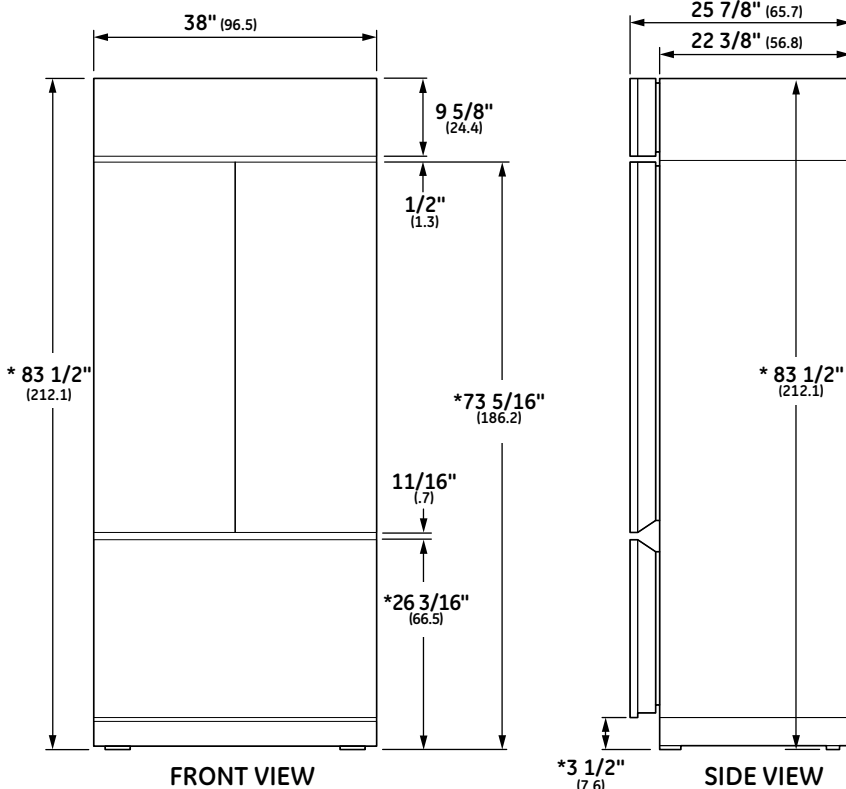
3/4" OVERLAY PANELS





OVERALL DIMENSIONS

FLUSH INSET INSTALLATION



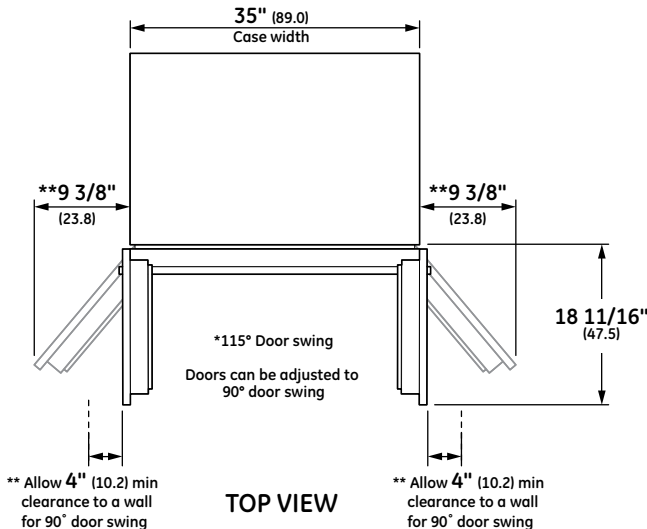
* Shipping height. Use leveling legs and wheels for maximum 1" height adjustment from shipping height.

SPECIFICATIONS

Overall Width	38" (96.5 cm)
Overall Height	83 1/2" (212.1 cm)
Overall Depth	25 7/8" (65.7 cm)
Door Clearance	18 11/16" (47.5 cm)
Cutout Width	39" (99.1 cm)
Cutout Height	84 1/2" (214.6 cm)
Cutout Depth	26 3/16" (66.5 cm)
Electrical Requirements	115 V AC, 60 Hz 20 amp circuit
Plumbing Requirements	1/4" OD copper tubing or GE SmartConnect kit
Shipping Weight	663 lb (300.7 kg)

ATTENTION ELECTRICIAN:

A 115 volt 60Hz., 15 or 20 amp power supply is required. An individual properly grounded branch circuit or circuit breaker is recommended. Install a properly grounded 3-prong electrical receptacle recessed into the back wall.

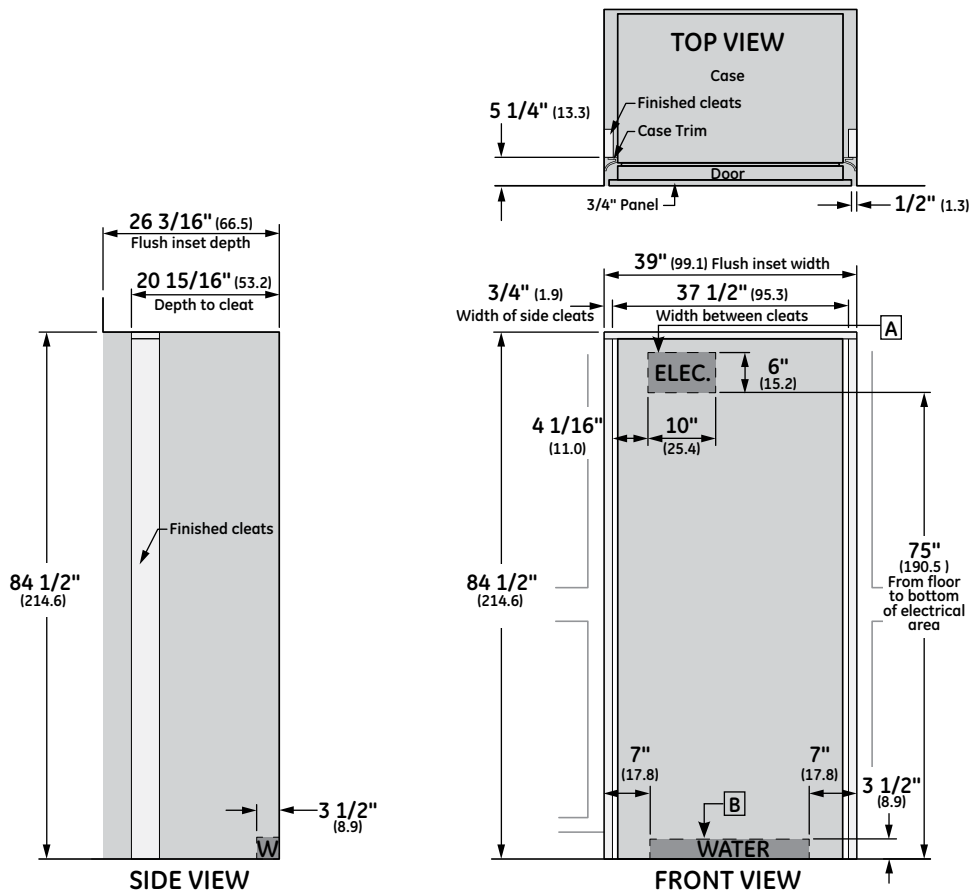


** These refrigerators are equipped with a 2-position door stop. The factory-set 115° door swing can be adjusted to 90° if clearances to adjacent cabinets or walls is restricted. Allow a 15" minimum clearance to wall for pan removal. If the 90° door stop position is used, pan access is maintained, but pan removal is restricted.

Dimensions in parentheses are in centimeters unless otherwise noted. Actual product dimensions may vary due to manufacturing tolerances.

FLUSH INSET INSTALLATION 3/4" PANELS

FLUSH INSET INSTALLATION

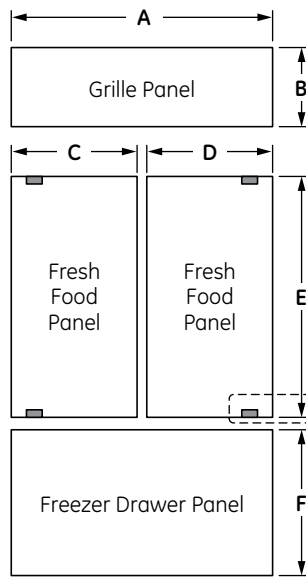


NOTES

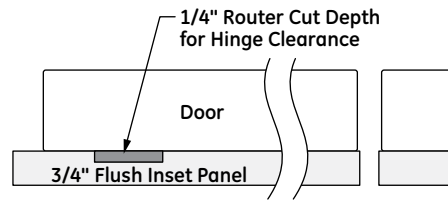
A Mounting the junction box in this location will also allow for front accessibility through access panel.

B Water supply area

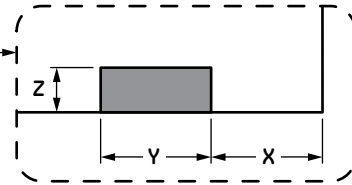
FLUSH INSET 3/4" PANEL DIMENSIONS



PANEL ASSEMBLY CROSS SECTION



TOP HINGE CLEARANCES
ROUTER 1/4" DEEP



PANEL DIMENSIONS

A	B	C	D	E	F
38"	9 5/8"	18 3/4"	18 3/4"	46 1/2"	22 11/16"

HINGE CLEARANCE

X	Y	Z
1 1/4"	1"	1/2"

FLUSH INSET INSTALLATION

NOTES

Trimmed refrigerators are designed to be customized with decorative panels. Field-installed custom door and grille panels are required.

Adjustment brackets allow 1/8" fine adjustment of panel position in 3 dimensions.

Use templates provided to locate mounting brackets on the door and grille panels.

Maximum total panel weight:

- Fresh food door panels – 30 lbs.
- Freezer drawer panel – 28 lbs.
- Grille panel – 11 lbs

Door Handles

Door handles not included. Custom handles supplied by your cabinet maker may be used.

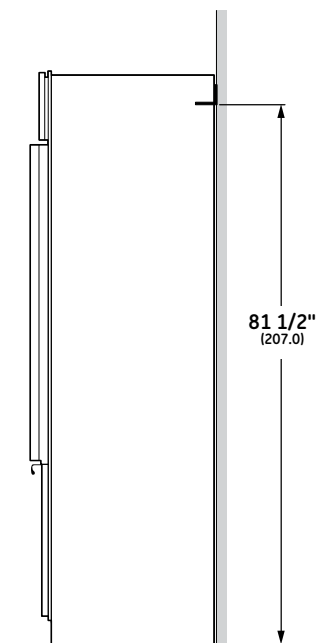
ZKHFD2H: European tubular stainless steel handles designed to fit 3/4" panels. Kit includes three handles.

⚠ WARNING:

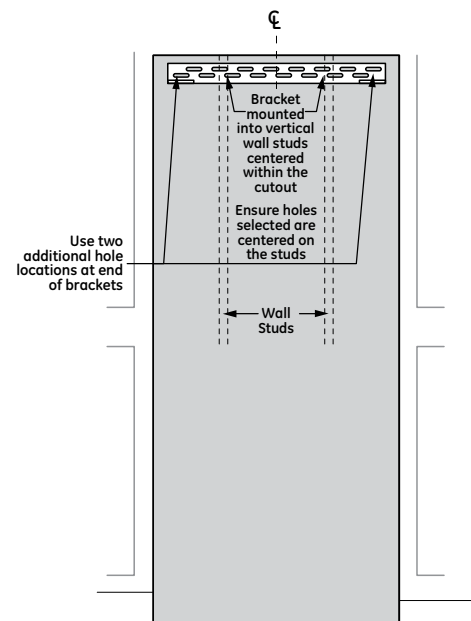
The refrigerator is top heavy and must be secured to prevent the possibility of tipping forward. Failure to do so may result in death or serious injury.

The information below is for cabinet design only. When installing the anti-tip system you must use the product installation instructions.

ANTI-TIP BRACKET



SIDE VIEW INSTALLED WITH ANTI-TIP BRACKET



FRONT VIEW OF CUTOUT WITH ANTI-TIP BRACKET

The information below applies to all installation constructions:

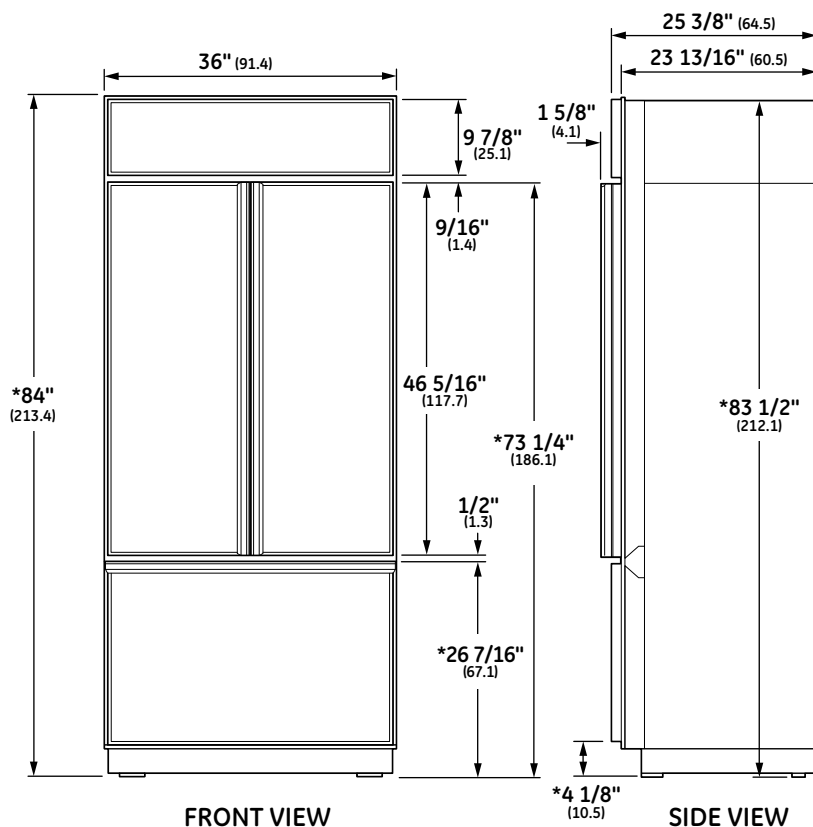
- A wall bracket, bolts and toggles will be supplied with the unit.
- The bolts will be used to attach bracket to wall in 4 locations. Two of the locations must penetrate the center of the wall studs.
- The toggles are used for stability in drywall and when metal studs are encountered. Lag bolts are used in wood studs.
- In installation opening, measure 81 1/2" from floor and draw a horizontal line.
- Locate and mark the wall studs on horizontal line. Verify at least two studs have their centerlines within the center 32.5" of installation opening to ensure 2 wall studs are penetrated.
- The bracket will be centered left to right in opening with bottom of bracket on the horizontal line.
- When unit is placed in opening, the bracket tabs will align with openings in back of the unit. The unit will be secured to the bracket using supplied "L" bolts.

See Installation Instructions for detailed instructions.



OVERALL DIMENSIONS

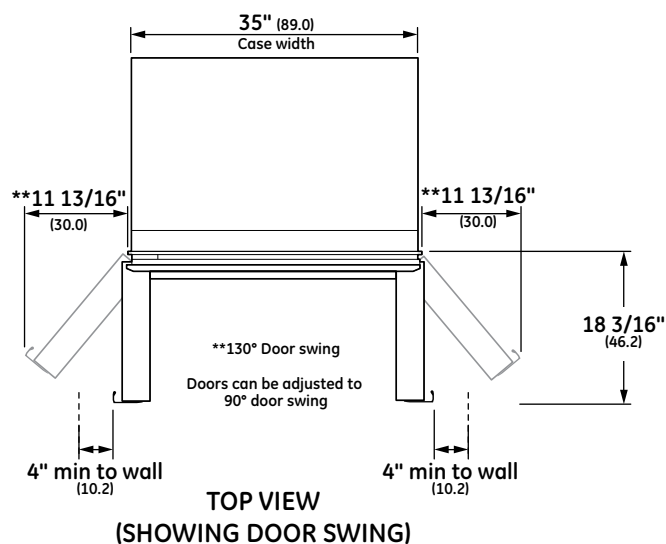
STANDARD INSTALLATION



*Shipping height. Use leveling legs and wheels for maximum 1" height adjustment from shipping height.

SPECIFICATIONS

Overall Width	36" (91.4 cm)
Overall Height	84" (213.4 cm)
Overall Depth	25 3/8" (64.5 cm)
Door Clearance	18 3/16" (46.2 cm)
Cutout Width	35 1/2" (90.2 cm)
Cutout Height	84" (213.4 cm)
Cutout Depth	24" (61 cm)
Electrical Requirements	115 V AC, 60 Hz 20 amp circuit
Plumbing Requirements	1/4" OD copper tubing or GE SmartConnect kit
Shipping Weight	614 lb



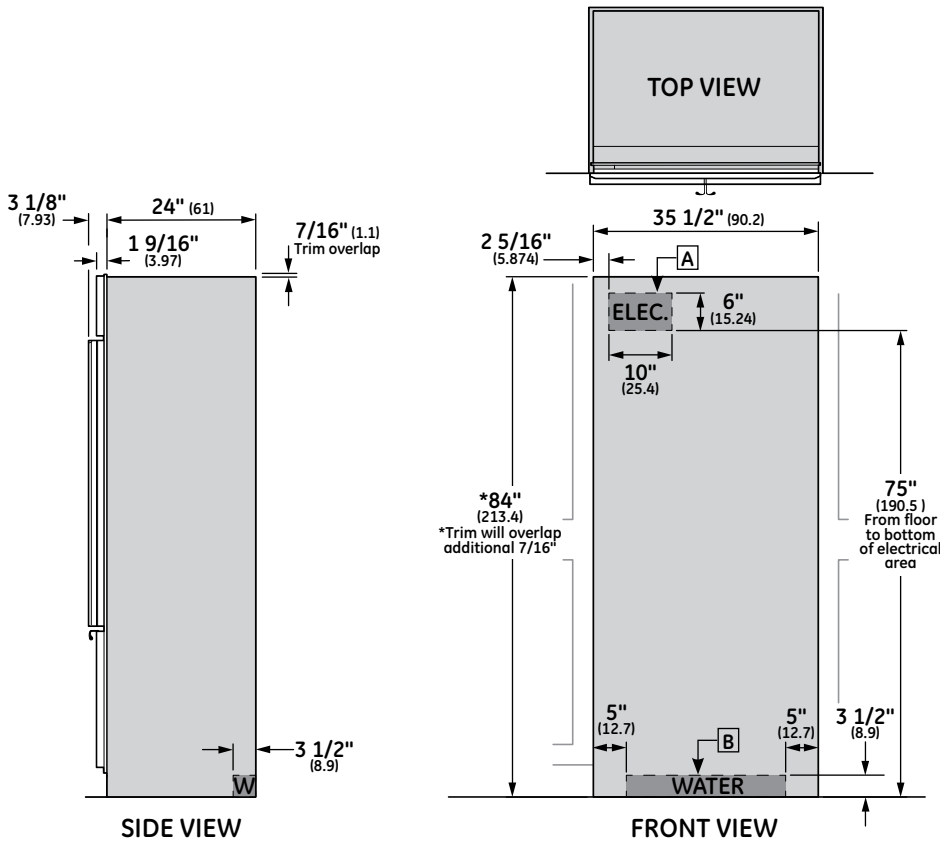
Dimensions in parentheses are in centimeters unless otherwise noted. Actual product dimensions may vary due to manufacturing tolerances.

ATTENTION ELECTRICIAN:
A 115 volt 60Hz., 15 or 20 amp power supply is required. An individual properly grounded branch circuit or circuit breaker is recommended. Install a properly grounded 3-prong electrical receptacle recessed into the back wall.



STANDARD INSTALLATION 3/4" PANELS

STANDARD INSTALLATION

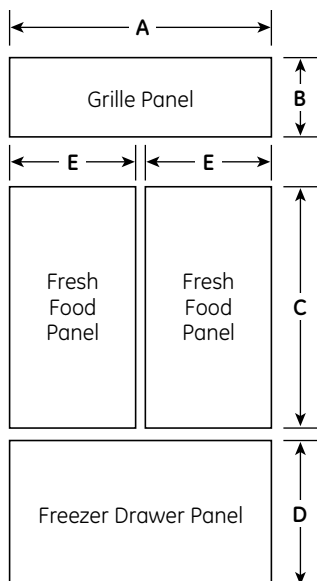


NOTES

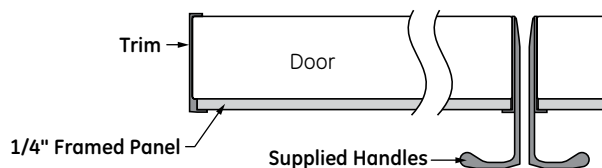
A Mounting the junction box in this location will also allow for front accessibility through access panel.

B Water supply area

STANDARD 1/4" FRAMED PANEL DIMENSIONS



PANEL ASSEMBLY CROSS SECTION



PANEL DIMENSIONS

	A	B	C	D	E
1/4" Framed Panel	33 7/8"	8 7/8"	46 1/16"	21 7/8"	16 3/8"

STANDARD INSTALLATION

NOTES

Trimmed refrigerators are designed to be customized with decorative panels. Field-installed custom door and grille panels are required.

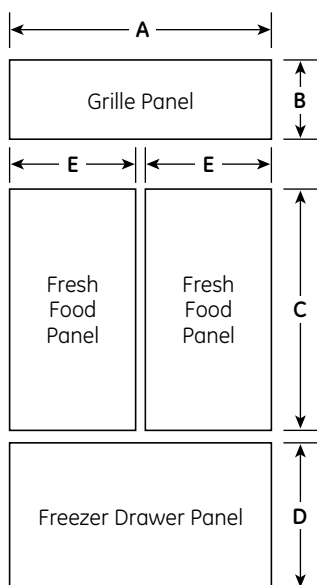
1/4" Framed Panels:

Order trim kit #ZTK36FDBFH for 1/4" thick custom panels ordered from your cabinet maker. The decorative panels slide into this trim.

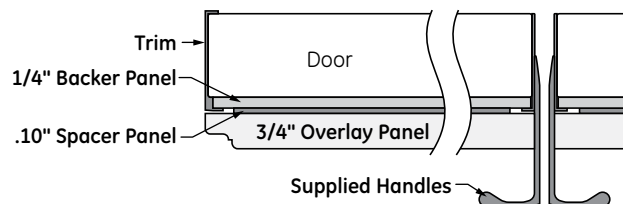
Maximum total panel weight:

- Fresh food door panel – 30 lbs.
- Freezer drawer panel – 28 lbs.
- Grille panel – 11 lbs

STANDARD 3/4" OVERLAY PANEL DIMENSIONS



PANEL ASSEMBLY CROSS SECTION



PANEL DIMENSIONS

	A	B	C	D	E
1/4" Framed Panel	33 7/8"	8 7/8"	46 1/16"	21 7/8"	16 3/8"
.10" Framed Panel	32 1/2"	7 5/8"	44 11/16"	20 1/2"	15"
3/4" Overlay Panel	34 1/8"	9"	46 5/16"	22"	16 5/8"

.25" + .10" + .75" = 1.10" Total Panel Thickness

3/4" Overlay Panels:

Order trim kit #ZTK36FDBFH for your 3/4" thick custom panels ordered from your cabinet maker. The overlay panel must be secured to a 1/4"-thick backer panel which slides into the trim. A spacer panel 0.10" thick must be placed between the overlay and backer panels.

Center each panel over the other. Assemble the panels with glue and screws. Screws must be countersunk into the backer panel.

NOTE: Left-to-right offset is not always equal to top-to-bottom offset.

Maximum total panel weight:

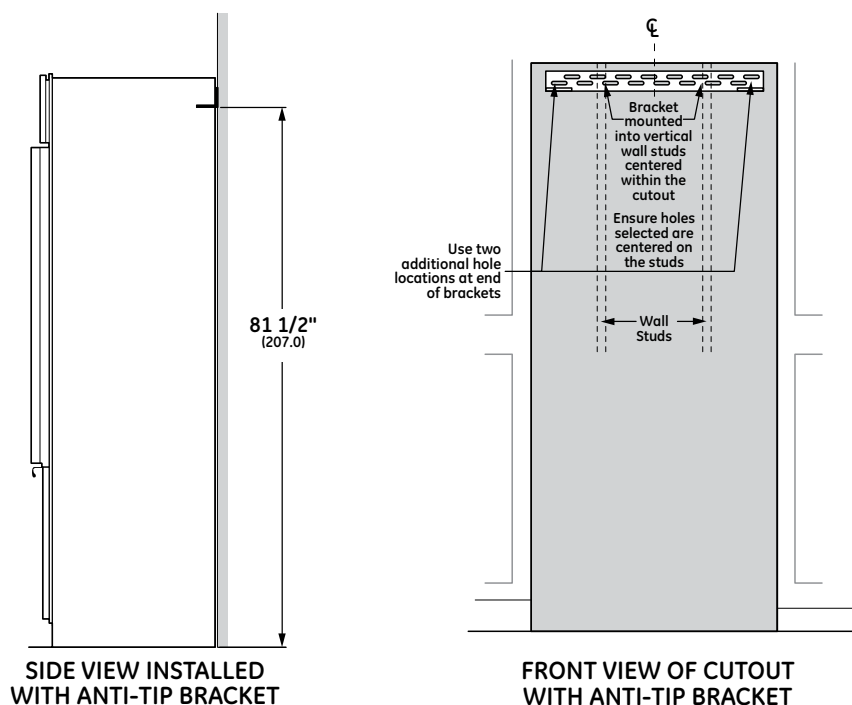
- Fresh food door panel – 30 lbs.
- Freezer drawer panel – 28 lbs.
- Grille panel – 11 lbs

Door Handles:

The supplied handles can be adjusted to accommodate both framed or overlay panels. Custom handles of your choice, supplied by your cabinet maker, can also be installed.

ZKHFD2H: European tubular stainless steel handles designed to fit 3/4" panels. Kit includes three handles.

ANTI-TIP BRACKET



STANDARD INSTALLATION

NOTES

⚠ WARNING:
 The refrigerator is top heavy and must be secured to prevent the possibility of tipping forward. Failure to do so may result in death or serious injury.
 The information below is for cabinet design only. When installing the anti-tip system you must use the product installation instructions.

- The information below applies to all installation constructions:
- A wall bracket, bolts and toggles will be supplied with the unit.
 - The bolts will be used to attach bracket to wall in 4 locations. Two of the locations must penetrate the center of the wall studs.
 - The toggles are used for stability in drywall and when metal studs are encountered. Lag bolts are used in wood studs.
 - In installation opening, measure 81 1/2" from floor and draw a horizontal line.
 - Locate and mark the wall studs on horizontal line. Verify at least two studs have their centerlines within the center 32.5" of installation opening to ensure 2 wall studs are penetrated.
 - The bracket will be centered left to right in opening with bottom of bracket on the horizontal line.
 - When unit is placed in opening, the bracket tabs will align with openings in back of the unit. The unit will be secured to the bracket using supplied "L" bolts.
- See Installation Instructions for detailed instructions.

FEATURES AND BENEFITS

French-door design gives your wide-open access to every fresh food shelf and bin.

Finely crafted glass-front metal door bins with riveted metal accents offer easy access to beverages and quick-grab items.

LED lighting positioned throughout the interior and under fresh food drawers spotlights food inside the refrigerator and in the freezer.

Upfront electronic controls with digital readout offer a range of precise temperature settings, all within easy reach.

Large full-extension freezer drawer has storage bins that slide out independently of one another for easy loading and unloading. An automatic icemaker keeps plenty of filtered ice on hand.

Precision glass-front produce and deli drawers feature full-extension, soft-close slides.

Aluminum trimmed glass shelves allow convenient access to contents in the fresh-food compartment.



70 to 90% U.S. content. Product content details at GEAppliances.com/USA