

GE Monogram® Fresh-Food Refrigerator Module



Model# ZIFS240PLSS



FEATURES

Defrost Type	Cycle
Spillproof Glass Shelves	2 encapsulated full-width; 1 tuck-away
Tuckaway Shelf	1
Vegetable / Fruit Crisper(s)	Yes
Adjustable Temperature Control	Yes
Temperature Display	Digital
Control Location	Front Top, Recessed
Control Type	Electronic
Removable Utility Bin	Yes
Interior Lighting	Yes
ADA Compliant	Yes

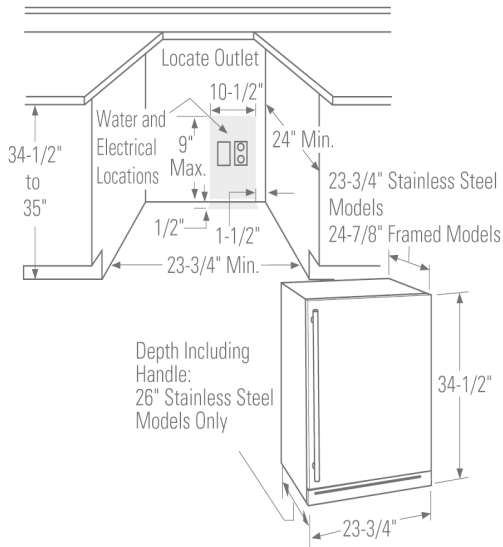
- Adjustable Temperature Control - Maintains a consistent temperature
- LED Temperature Display - Allows you to monitor the temperature at a glance
- Clear LEXAN Crisper on Full-extension slides - Provides easy access to contents
- Removable Spillproof Glass Shelves - Helps contain spills for ease of cleaning
- QuickSpace™ Shelf - Slides out of the way to make room for tall items
- Stainless Steel Exterior - Convey a look of utmost polish and sophistication
- Stainless steel tubular handle - Designed to coordinate with other Monogram appliances
- Flush Installation - Allows near-seamless integration with surrounding cabinetry

To locate a GE Monogram dealer, call 1-800-626-2000

GE Monogram® Fresh-Food Refrigerator Module



Model# ZIFS240PLSS



APPROXIMATE DIMENSIONS (HxDxW)

- 34 1/2 in x 23 3/4 in x 23 3/4 in

CAPACITY

- Total Capacity (cubic feet) 5.40 cu ft

WARRANTY

- Labor Warranty - Limited 1-year entire appliance
Limited 5-year sealed refrigerating system
- Parts Warranty - Limited 1-year entire appliance
Limited 5-year sealed refrigerating system
- Warranty Notes - For models produced on or after
January 1, 2006
See written warranty for full details

To locate a GE Monogram dealer, call 1-800-626-2000