

GE Monogram® 36" Built-In All Freezer



Model# ZIFP360NXLH



- Stainless Exterior - Conveys a sense of solidity and beauty with tubular handles, louvered grille and chamfered, hand-finished edges
- Enhanced Temperature Management System - With precise electronic controls and thermistors, maintains ideal storage conditions for frozen foods
- Concealed Halogen Lighting System - Illuminates contents without compromising space
- Concealed Ice Drawer - Provides quick and easy access to filtered ice
- GE Water Filtration System - Provides clean, fresh-tasting water to the freezer's icemaker
- ENERGY STAR® Qualification - As an ENERGY STAR® partner, GE has determined that Monogram all-freezers meet the ENERGY STAR guidelines for energy efficiency
- Adjustable, Spillproof Glass Shelves, Gallon-Size Door Bins and Pullout Baskets - Allow customizable storage for foods and containers of varying sizes

FEATURES

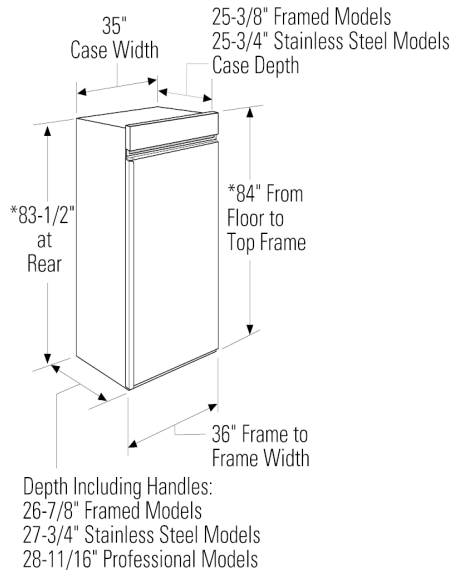
Automatic Icemaker	Drawer
Defrost Type	Automatic Defrost
Energy Star® Qualified	Yes
Upfront Electronic Digital Temperature Display	Yes
Cabinet Shelves (Total)	6 Adj./ 1 Full-Width Fixed
Door Shelves (Total)	10 (2 with Gallon Storage)
Wire Baskets	2 Regular, 4 Large; w/ Full-Extension Slides
Wire Baskets w/ Easy Access Lid	2 Large with Full-Extension Slides
130 Deg. Door Stop	Yes
Sealed System Design	Auto Defrost

To locate a GE Monogram dealer, call 1-800-626-2000

GE Monogram® 36" Built-In All Freezer



Model# ZIFP360NXLH



APPROXIMATE DIMENTIONS (HxDxW)

- 84 in x 26 3/4 in x 36 in

CAPACITY

- Total Capacity (cubic feet) 21.40 cu ft

WARRANTY

- Parts Warranty - Limited 2-year entire appliance
Limited 5-year sealed refrigerating system
Limited 12-year sealed refrigerating system
- Labor Warranty - Limited 2-year entire appliance
Limited 5-year compressor
- Warranty Notes - For models produced on or after January 1, 2006
See written warranty for full details

To locate a GE Monogram dealer, call 1-800-626-2000