

SECTION 1

FLUSH INSET INSTALLATION



SECTION 2

STANDARD INSTALLATION

1/4" FRAMED PANELS



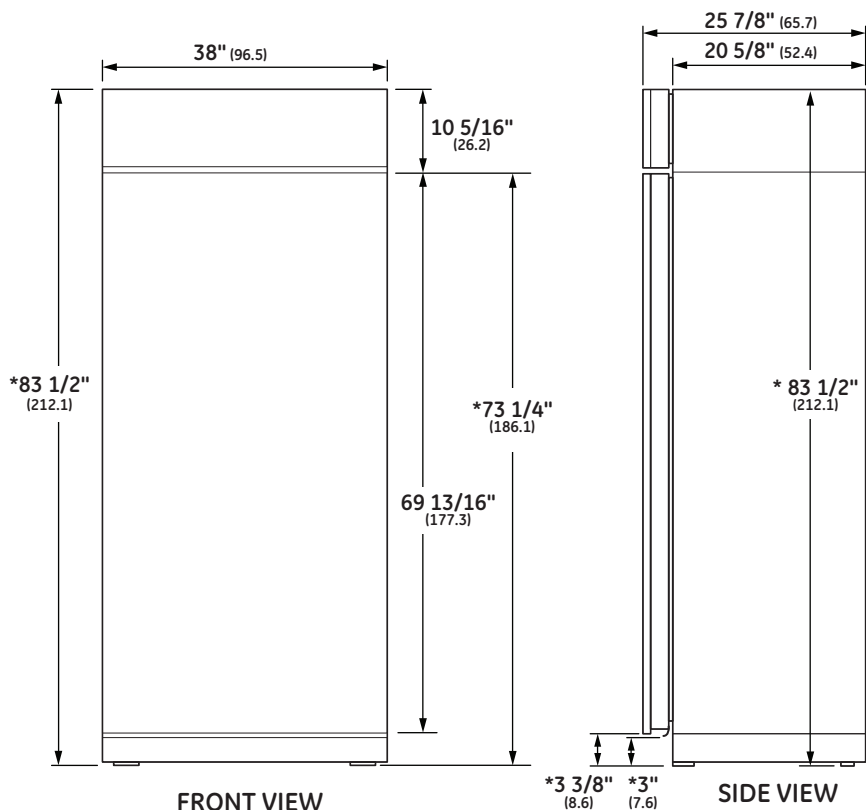
3/4" OVERLAY PANELS





OVERALL DIMENSIONS

FLUSH INSET INSTALLATION

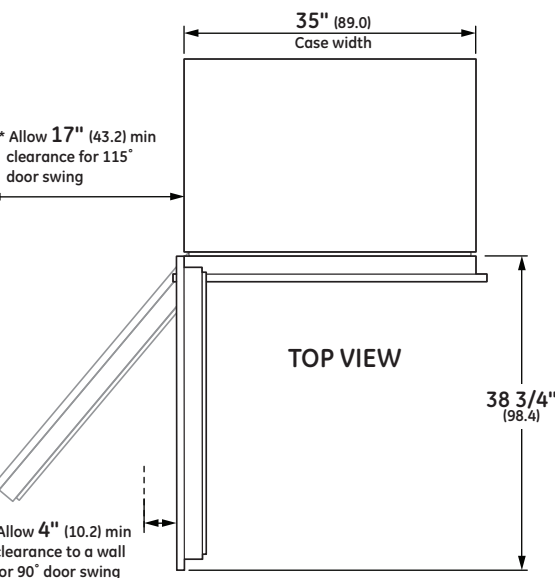


* Shipping height. Use leveling legs and wheels for maximum 1" height adjustment from shipping height. Nominal installation height is 84".

SPECIFICATIONS

Overall Width	38" (96.5 cm)†
Overall Height	83 1/2" (212.1 cm)†
Overall Depth	25 7/8" (65.7 cm)†
Door Clearance	38 3/4" (98.4 cm)
Cutout Width	39" (99.1 cm)
Cutout Height	84 1/2" (214.6 cm)
Cutout Depth	26 3/16" (66.5 cm)
Plumbing Requirements	1/4" OD copper tubing or GE SmartConnect kit
Shipping Weight	570 lb (258.5 kg)

† Dimensions include 3/4" custom cabinet panel



** These freezers are equipped with a 2-position door stop. The factory-set 115° door swing can be adjusted to 90° if clearances to adjacent cabinets or walls is restricted. Allow a 15" minimum clearance to wall for pan removal. If the 90° door stop position is used, pan access is maintained, but pan removal is restricted.

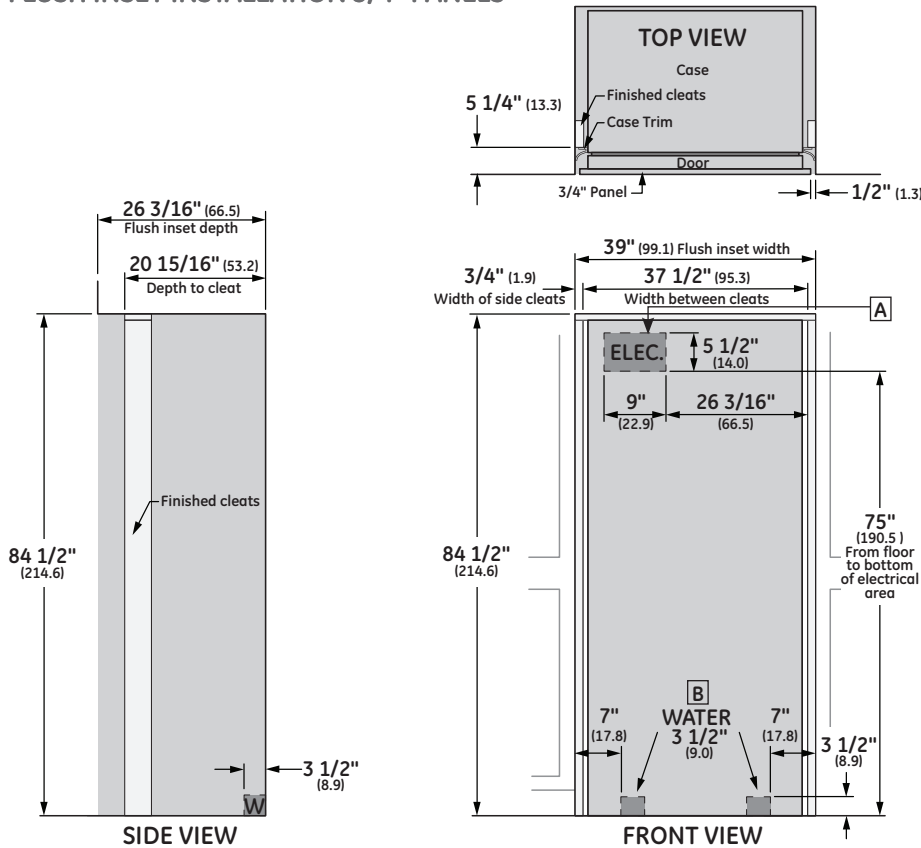
Dimensions in parentheses are in centimeters unless otherwise noted. Actual product dimensions may vary due to manufacturing tolerances.

ATTENTION ELECTRICIAN:

A 115 volt 60Hz., 15 or 20 amp power supply is required. An individual properly grounded branch circuit or circuit breaker is recommended. Install a properly grounded 3-prong electrical receptacle recessed into the back wall.



FLUSH INSET INSTALLATION 3/4" PANELS



FLUSH INSET INSTALLATION

NOTES

- A** Mounting the junction box in this location will also allow for front accessibility through access panel.
- B** Water supply area.

WARNING:

The freezer is top heavy and must be secured to prevent the possibility of tipping forward. Failure to do so may result in death or serious injury.

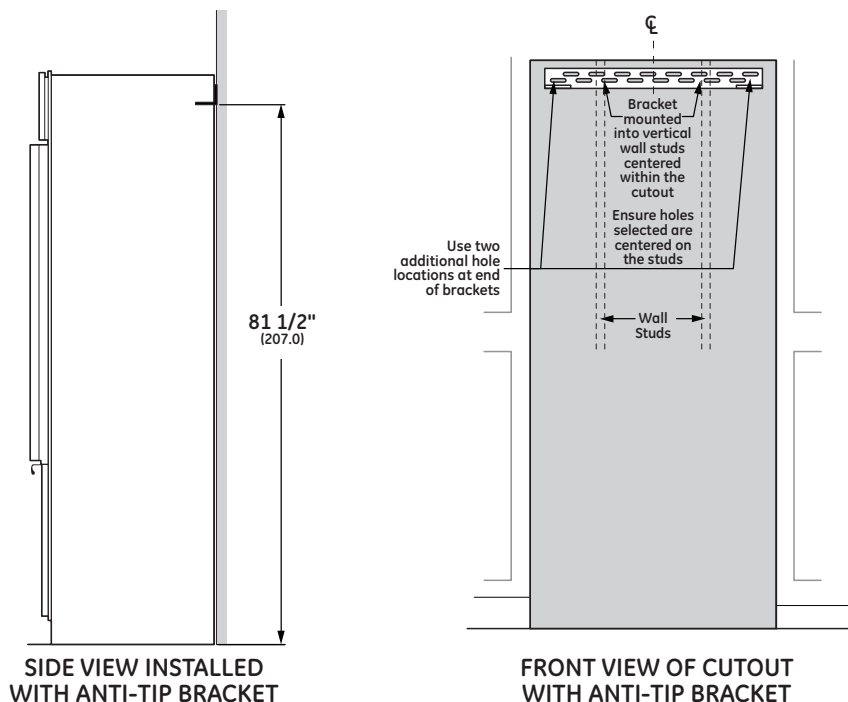
The information below is for cabinet design only. When installing the anti-tip system you must use the product installation instructions.

The information below applies to all installation constructions:

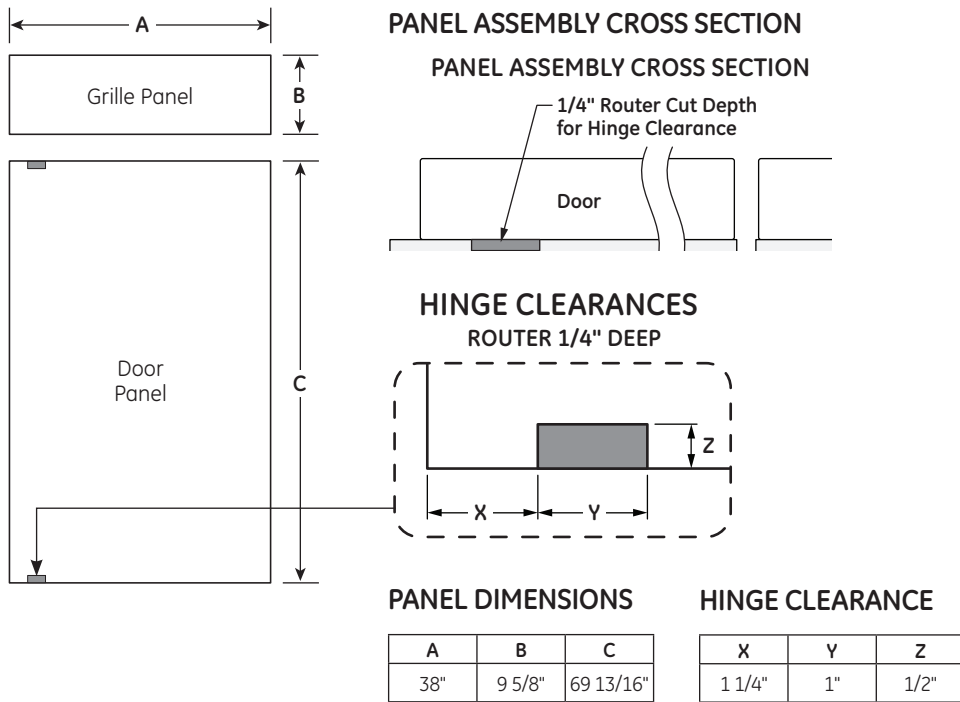
- A wall bracket, bolts and toggles will be supplied with the unit.
- The bolts will be used to attach bracket to wall in 4 locations. Two of the locations must penetrate the center of the wall studs.
- The toggles are used for stability in drywall and when metal studs are encountered. Lag bolts are used in wood studs.
- In installation opening, measure 81 1/2" from floor and draw a horizontal line.
- Locate and mark the wall studs on horizontal line. Verify at least two studs have their centerlines within the center 32.5" of installation opening to ensure 2 wall studs are penetrated.
- The bracket will be centered left to right in opening with bottom of bracket on the horizontal line.
- When unit is placed in opening, the bracket tabs will align with openings in back of the unit. The unit will be secured to the bracket using supplied "L" bolts.

See Installation Instructions for detailed instructions.

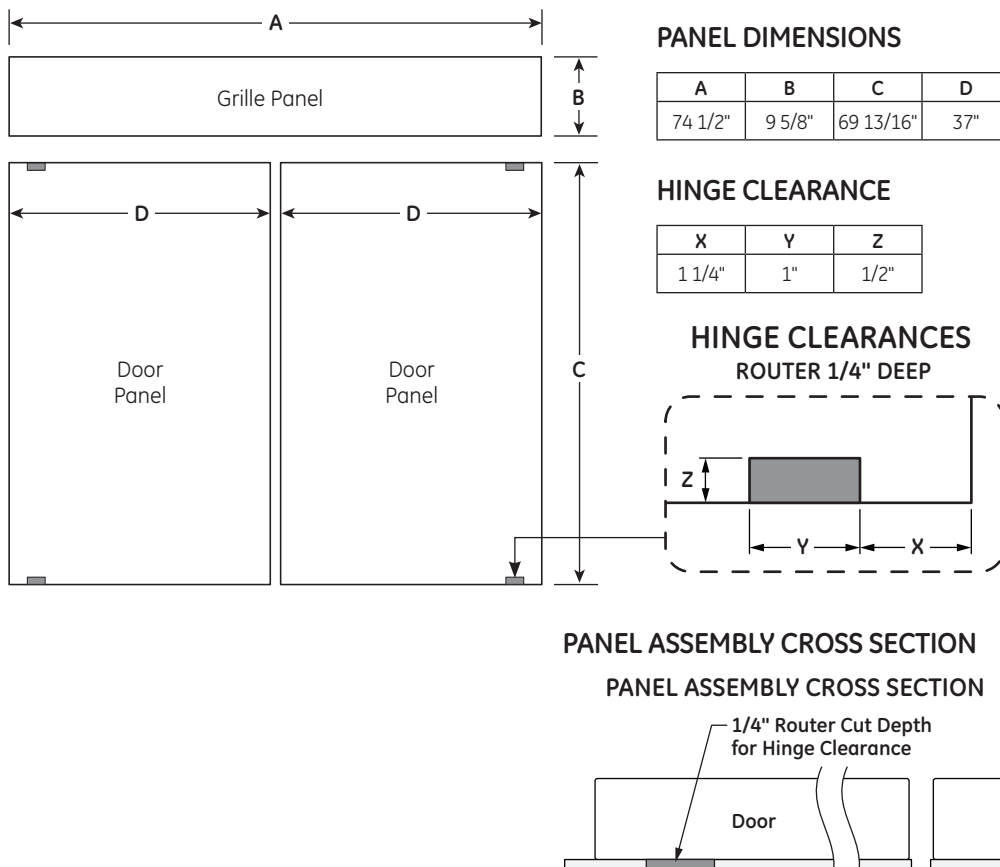
ANTI-TIP BRACKET



FLUSH INSET 3/4" PANEL DIMENSIONS SINGLE INSTALLATION



FLUSH INSET 3/4" PANEL DIMENSIONS DUAL INSTALLATION



FLUSH INSET INSTALLATION

NOTES

Trimmed freezers are designed to be customized with decorative panels. Field-installed custom door and grille panels are required.

Adjustment brackets allow 1/8" fine adjustment of panel position in 3 dimensions.

Use templates provided to locate mounting brackets on the door and grille panels.

Maximum total panel weight:

- Fresh food door panels - 67 lbs.
- Grille panel - 11 lbs

Door Handles

Door handles not included. Custom handle supplied by your cabinet maker may be used.

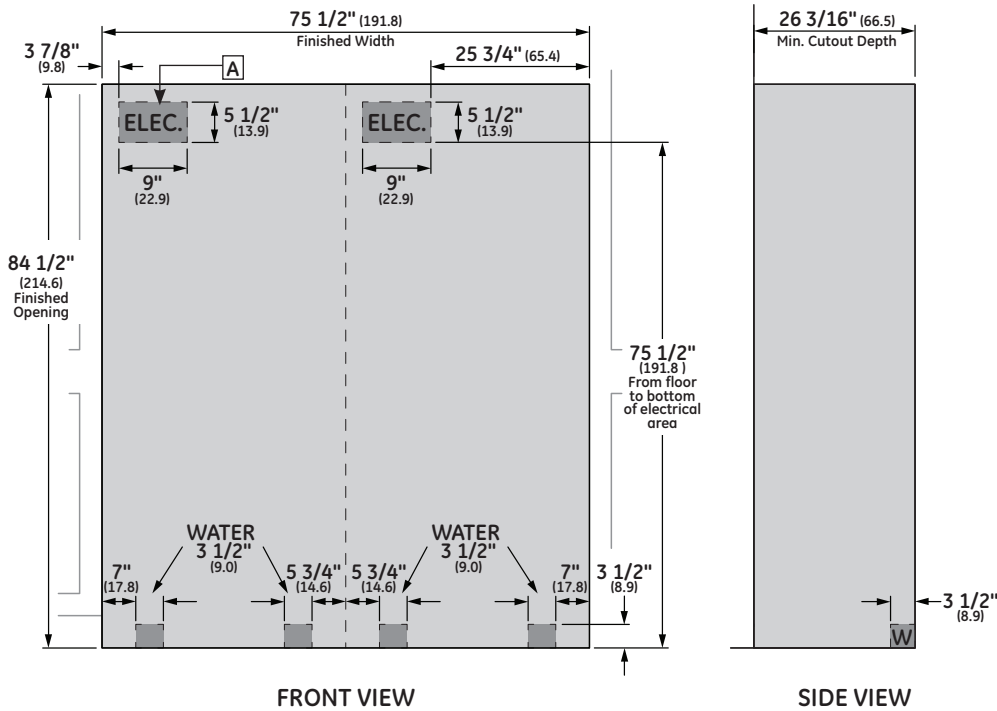
ZKHPSS1: Professional tubular stainless steel handle designed to fit 3/4" panels. Kit includes one handle - 30 1/2" long.

ZKHSS2: European tubular stainless steel handle designed to fit 3/4" panels. Kit includes one handle - 64 1/4" long.

Order #ZUGF2H: Unified grille kit for dual installation. Maximum total panel weight - 25 lbs.

NOTE: For side-by-side installation of a left-and-right-hand door swing product only, see **B** on following page.

DUAL INSTALLATIONS



FLUSH INSET INSTALLATION

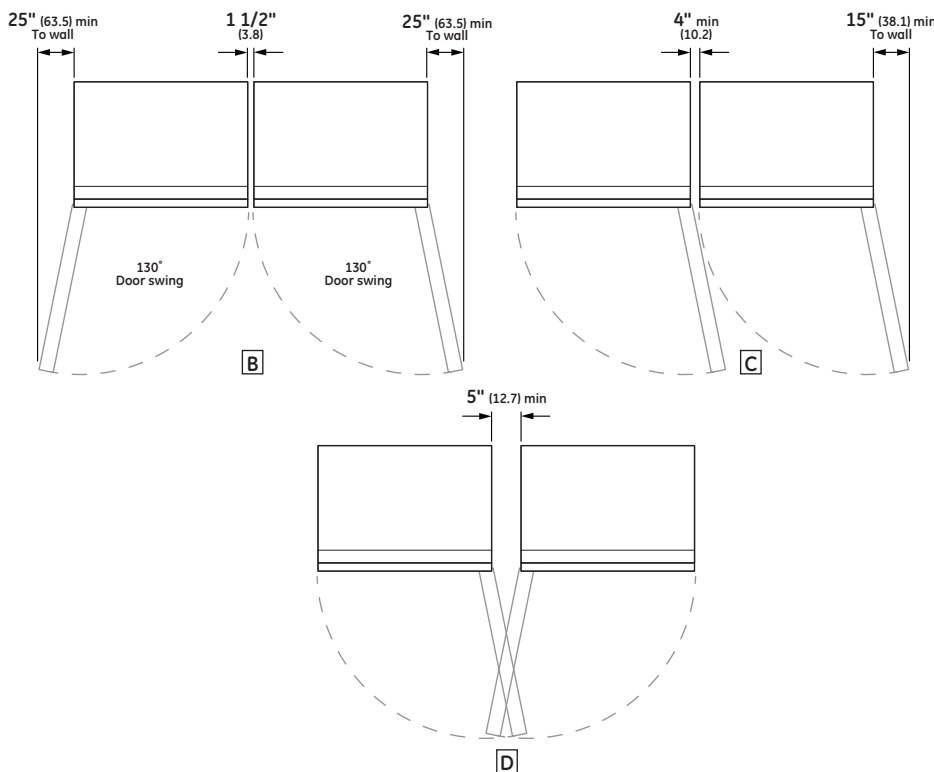
NOTES

- A** A separate 115V, 60Hz, 15- or 20-amp power supply is recommended for each product.
- B** In a side-by-side installation of a left-and-right-hand door swing product, 1 1/2" clearance between the units is required. Order ZUGF2H custom panel unified grille kit for this installation.
- C** In a side-by-side installation with same door swing, allow 4" clearance between the products to prevent the door swing interference. Allow 15" minimum to a wall to achieve full interior drawer extension and pan removal. Additional clearances are required when using custom panels and handles.
- D** In a side-by-side installation with right and left door hinges together, allow 5" minimum clearance between the two products to prevent one door from striking the other. Additional clearances required when using custom panels and handles.

NOTE: ZUG2, ZUGSS2 or ZUGPP2 grille panel kits will not fit this installation.

NOTE: ZUG2, ZUGSS2 or ZUGPP2 grille panel kits will not fit this installation.

DUAL PRODUCT CLEARANCES





SPECIFICATIONS

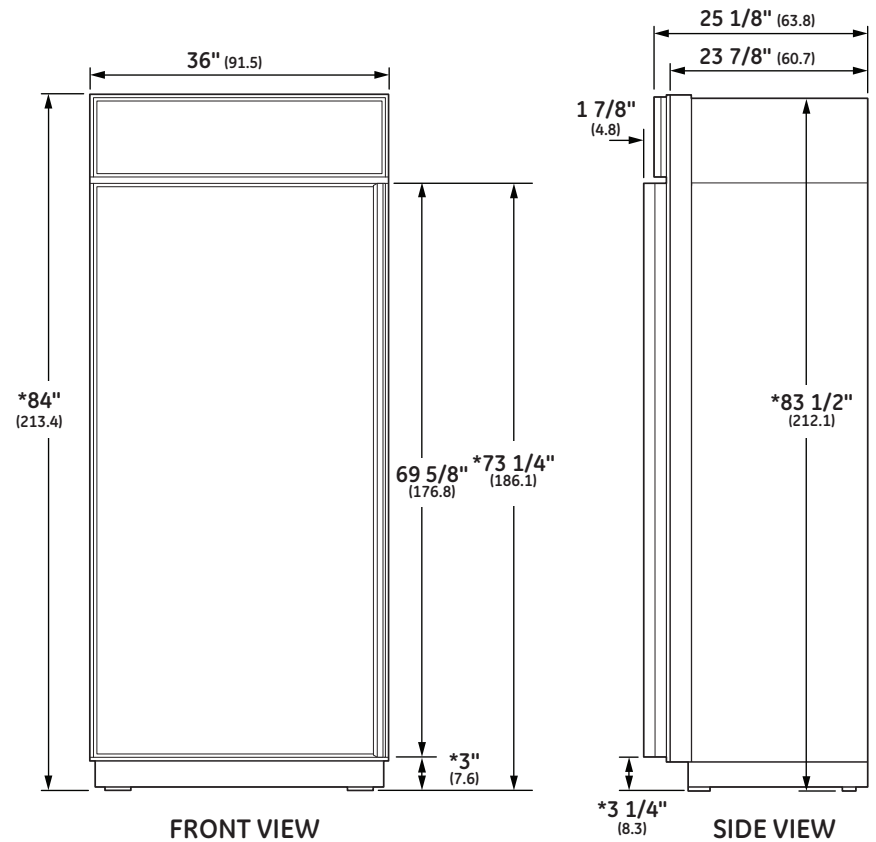
Overall Width	36" (91.4 cm)
Overall Height	84" (213.4 cm)
Overall Depth	25 3/8" (64.45 cm)
Door Clearance	36 3/4" (93.4 cm)
Cutout Width	35 1/2" (90.2 cm)
Cutout Height	83 1/2" - 84 1/2" (212.1 - 214.6 cm)
Cutout Depth	24" (61 cm)
Plumbing Requirements	1/4" OD copper tubing or GE SmartConnect kit
Shipping Weight	569 lb

ATTENTION ELECTRICIAN:

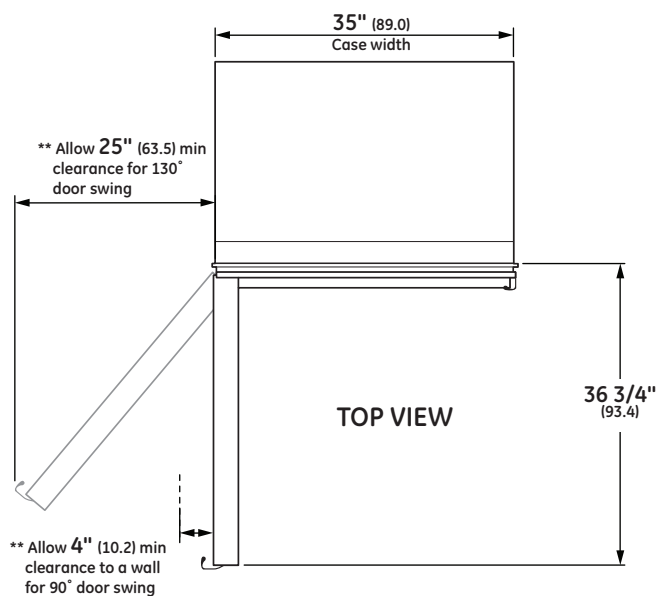
A 115 volt 60Hz., 15 or 20 amp power supply is required. An individual properly grounded branch circuit or circuit breaker is recommended. Install a properly grounded 3-prong electrical receptacle recessed into the back wall.

OVERALL DIMENSIONS

STANDARD INSTALLATION



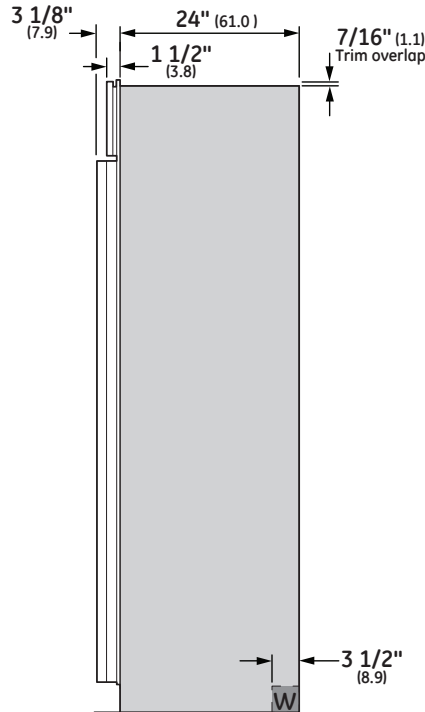
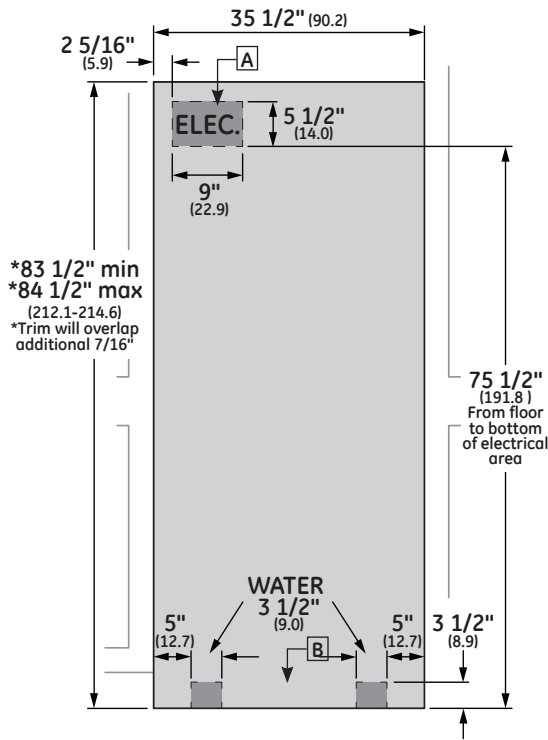
* Shipping height. Use leveling legs and wheels for maximum 1" height adjustment from shipping height.



**These units are equipped with a 2-position door stop. The factory set 130° door swing can be adjusted to 90° if clearance to adjacent cabinets or walls is restricted. Allow 15" minimum clearance to wall for pan removal. If the 90° door stop position is used, pan access is

Dimensions in parentheses are in centimeters unless otherwise noted. Actual product dimension may vary due to manufacturing tolerances.

STANDARD INSTALLATION



STANDARD INSTALLATION

NOTES

A Mounting the junction box in this location will also allow for front accessibility through access panel.

B Water supply area.

! WARNING:

The freezer is top heavy and must be secured to prevent the possibility of tipping forward. Failure to do so may result in death or serious injury.

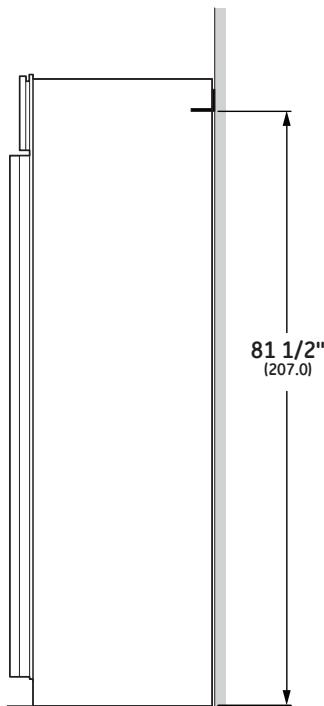
The information below is for cabinet design only. When installing the anti-tip system you must use the product installation instructions.

The information below applies to all installation constructions:

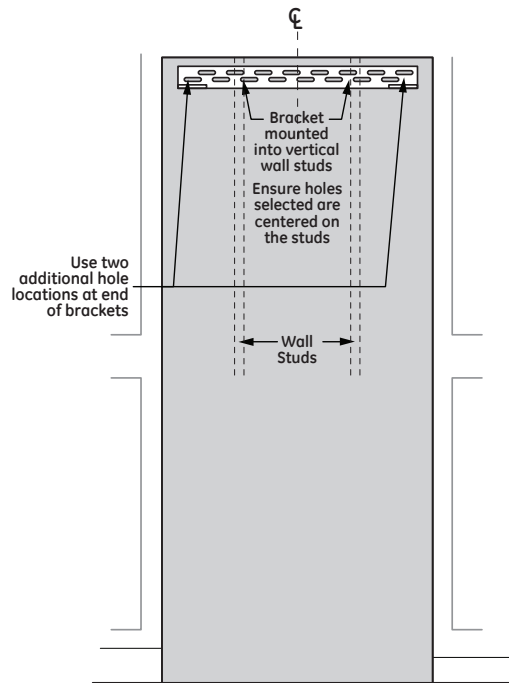
- A wall bracket, bolts and toggles will be supplied with the unit.
- The bolts will be used to attach bracket to wall in 4 locations. Two of the locations must penetrate the center of the wall studs.
- The toggles are used for stability in drywall and when metal studs are encountered. Lag bolts are used in wood studs.
- In installation opening, measure 81 1/2" from floor and draw a horizontal line.
- Locate and mark the wall studs on horizontal line. Verify at least two studs have their centerlines within the center 32.5" of installation opening to ensure 2 wall studs are penetrated.
- The bracket will be centered left to right in opening with bottom of bracket on the horizontal line.
- When unit is placed in opening, the bracket tabs will align with openings in back of the unit. The unit will be secured to the bracket using supplied "L" bolts.

See Installation Instructions for detailed instructions.

ANTI-TIP BRACKET



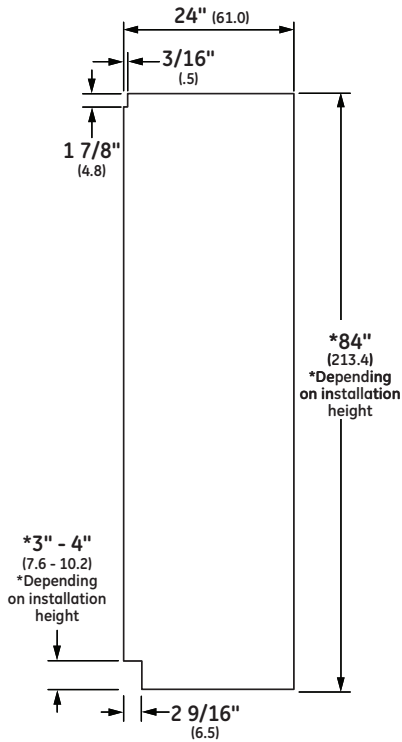
SIDE VIEW INSTALLED WITH ANTI-TIP BRACKET



FRONT VIEW OF CUTOUT WITH ANTI-TIP BRACKET

CUSTOM SIDE PANELS

F

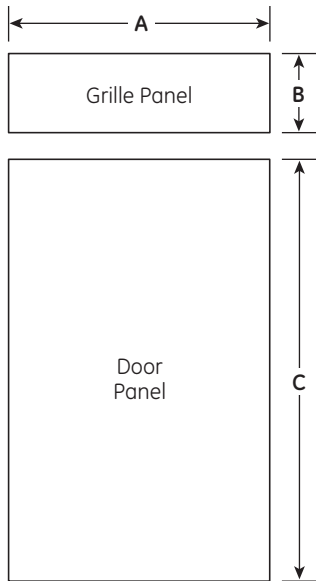


STANDARD INSTALLATION

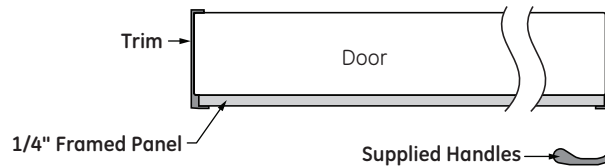
NOTES

F Side panels must be used whenever the sides of the freezer will be exposed. The 1/4" side panels will slip into the side case trim. Secure the panels to the freezer with stick-on hook and loop fastener strips. Order the side panels from the cabinet manufacturer.

1/4" FRAMED PANEL DIMENSIONS SINGLE INSTALLATION



PANEL ASSEMBLY CROSS SECTION



PANEL DIMENSIONS

	A	B	C
1/4" Framed Panel	33 7/8"	8 7/8"	69 5/16"

STANDARD INSTALLATION

NOTES

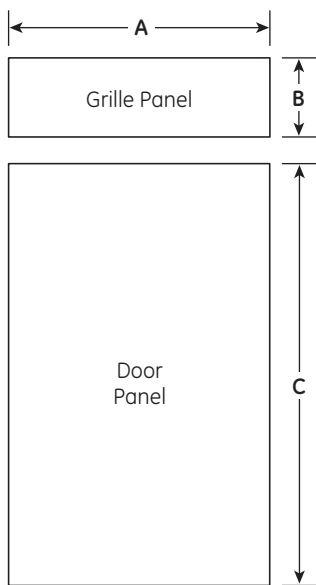
Trimmed freezers are designed to be customized with decorative panels. Field-installed custom door and grille panels are required.

1/4" Framed Panels:
Order trim kit #ZTK36SDHLH for 1/4" thick custom panels ordered from your cabinet maker. The decorative panels slide into the trim.

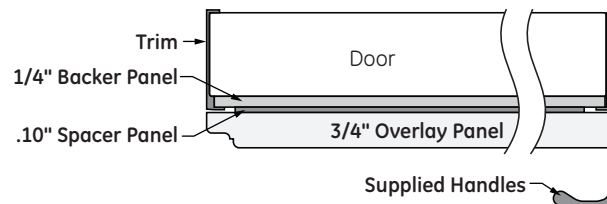
Maximum total panel weight:

- Door panel – 67 lbs.
- Grille panel – 11 lbs

3/4" OVERLAY PANEL DIMENSIONS SINGLE INSTALLATION



PANEL ASSEMBLY CROSS SECTION



PANEL DIMENSIONS

	A	B	C
1/4" Backer Panel	33 7/8"	8 7/8"	69 5/16"
.10" Spacer Panel	32 1/2"	7 5/8"	67 15/16"
3/4" Overlay Panel	34 1/8"	9"	69 9/16"

.25" + .10" + .75" = 1.10" Total Panel Thickness

3/4" Overlay Panels:
Order trim kit #ZTK36SDHLH for 3/4" thick custom panels ordered from your cabinet maker. The decorative panels slide into the trim. The overlay panel must be secured to a 1/4"-thick backer panel which slides into the trim. A spacer panel 0.10" thick must be placed between the overlay and backer panels.

Center each panel over the other. Assemble the panels with glue and screws. Screws must be countersunk into the backer panel.

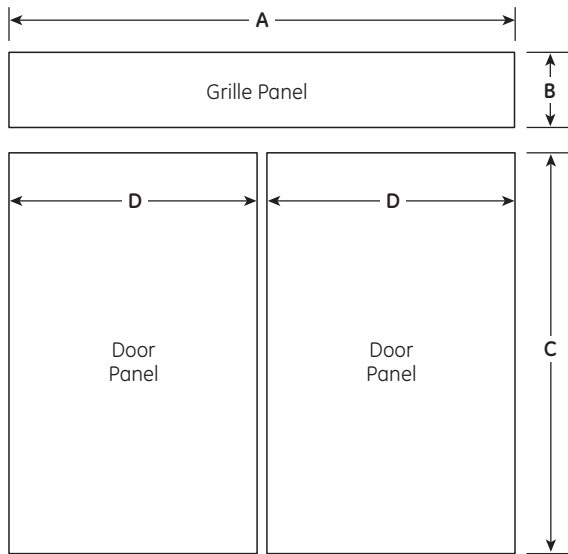
NOTE: Left-to-right offset is not always equal to top-to-bottom offset.

Maximum total panel weight:

- Door panel – 67 lbs.
- Grille panel – 11 lbs

Door Handles:
The supplied handles can be adjusted to accommodate both framed or overlay panels. Custom handles of your choice, supplied by your cabinet maker, can also be installed.
ZKHPSS1: Professional Tubular Stainless Steel Handle designed to fit 3/4" overlay panels. Kits include one handle - 30 1/2" long.
ZKHSS2: European tubular stainless steel handle designed to fit 3/4" overlay panels. Kits include one handle - 64 1/4" long.

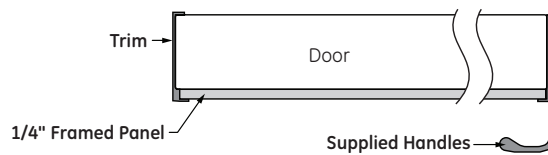
STANDARD 1/4" FRAMED PANEL DIMENSIONS DUAL INSTALLATION



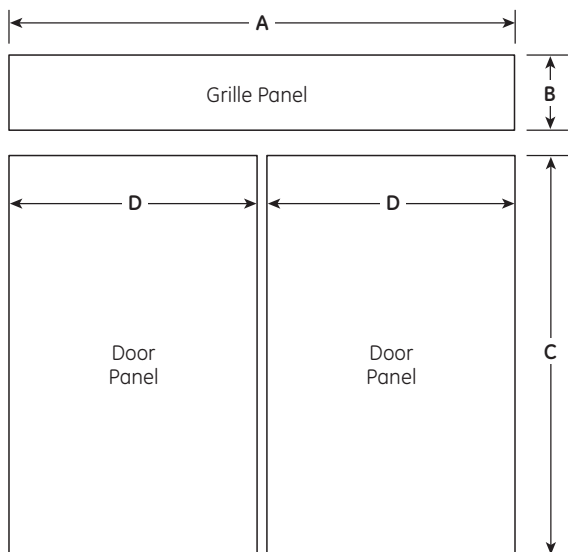
PANEL DIMENSIONS

	1/4" Framed Panel
A	69 7/8"
B	8 7/8"
C	69 5/16"
D	33 7/8"

PANEL ASSEMBLY CROSS SECTION



STANDARD 3/4" OVERLAY PANEL DIMENSIONS DUAL INSTALLATION

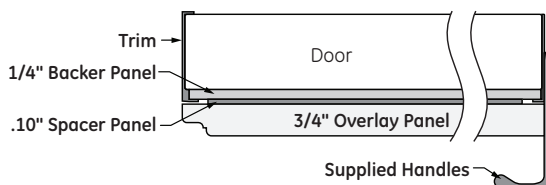


PANEL DIMENSIONS

	1/4" Backer Panel	.10" Spacer Panel	3/4" Overlay Panel
A	69 7/8"	68 1/2"	70 1/8"
B	8 7/8"	7 5/8"	9"
C	69 5/16"	67 15/16"	69 9/16"
D	33 7/8"	32 1/2"	34 1/8"

.25" + .10" + .75" =
1.10" Total Panel Thickness

PANEL ASSEMBLY CROSS SECTION



STANDARD INSTALLATION

NOTES

Trimmed freezers are designed to be customized with decorative panels. Field-installed custom door and grille panels are required.

1/4" Framed Panels:

Order trim kit #ZTK36SDHLH

for 1/4" thick custom panels ordered from your cabinet maker. The decorative panels slide into the trim.

Maximum total panel weight:

- Door panel – 67 lbs.
- Grille panel – 25 lbs

Order ZUG2: Unified grille kit for dual installation. Maximum total panel weight - 25 lbs.

3/4" Overlay Panels:

Order trim kit #ZTK36SDHLH

for 3/4" thick custom panels ordered from your cabinet maker. The decorative panels slide into the trim. The overlay panel must be secured to a 1/4"-thick backer panel which slides into the trim. A spacer panel 0.10" thick must be placed between the overlay and backer panels.

Center each panel over the other. Assemble the panels with glue and screws. Screws must be countersunk into the backer panel.

NOTE: Left-to-right offset is not always equal to top-to-bottom offset.

Maximum total panel weight:

- Door panel – 67 lbs.
- Grille panel – 25 lbs

Order ZUG2: Unified grille kit for dual installation. Maximum total panel weight - 25 lbs.

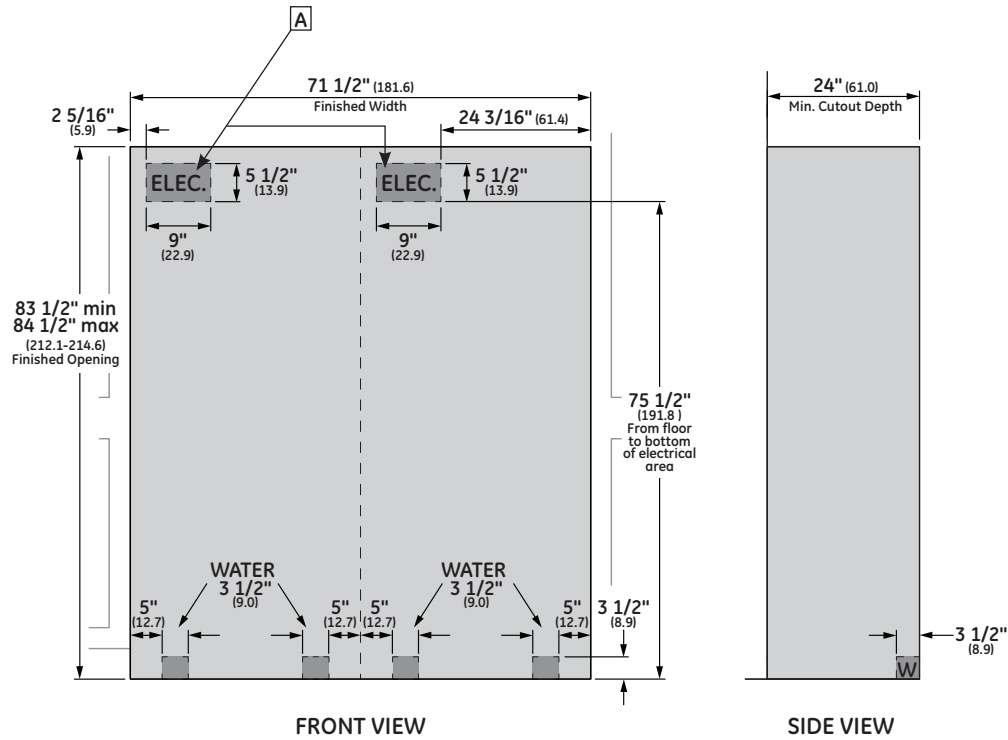
Door Handles:

The supplied handles can be adjusted to accommodate both framed or overlay panels. Custom handles of your choice, supplied by your cabinet maker, can also be installed.

ZKHPSS1: Professional Tubular Stainless Steel Handle designed to fit 3/4" overlay panels. Kits include one handle - 30 1/2" long.

ZKHSS2: European tubular stainless steel handle designed to fit 3/4" overlay panels. Kits include one handle - 64 1/4" long.

DUAL INSTALLATIONS



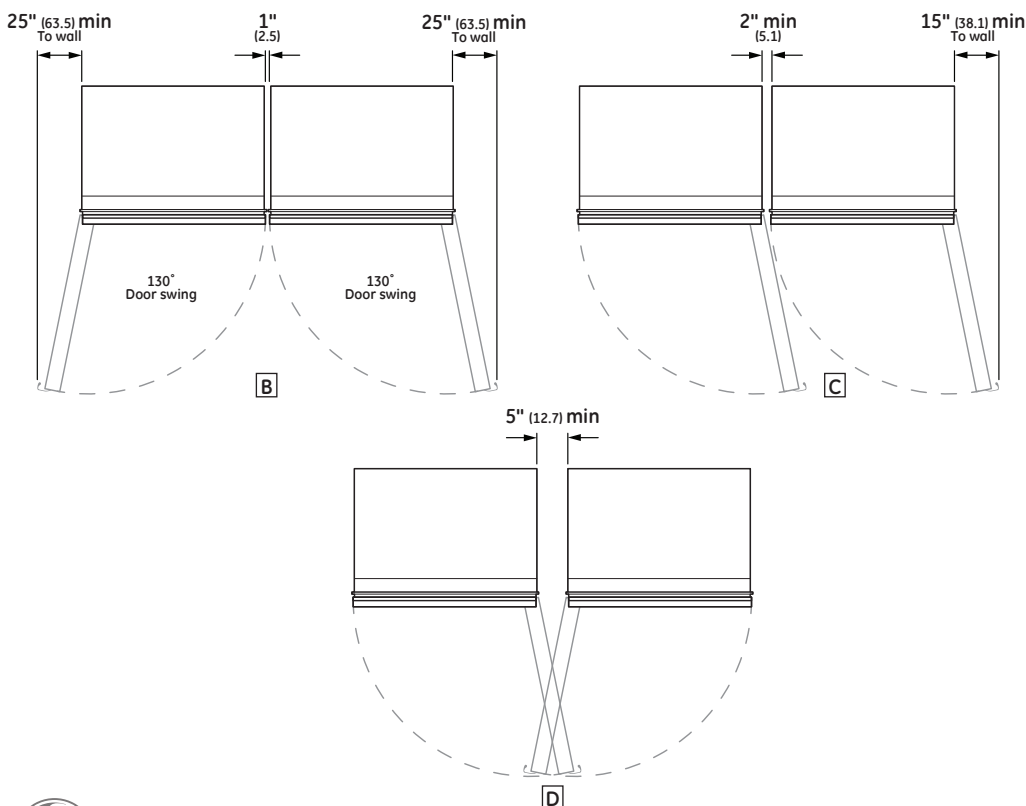
STANDARD INSTALLATION

NOTES

- A** A separate 115V, 60Hz, 15- or 20-amp power supply is recommended for each product.
- Additional cutout width may be required when side panels are used.
- B** In a side-by-side installation of a left- and-right-hand door swing product, 1" clearance between the units is required.
- Order ZUG2:** Custom panel unified grille kit for one continuous grille panel.
- C** In a side-by-side installation with same door swing, allow 2" minimum clearance between the products to prevent the door swing interference. Allow 15" minimum to a wall to achieve full drawer extension and pan removal. Additional clearances are required when using custom panels and handles.
- NOTE:** ZUG2, ZUGSS2 or ZUGPP2 grille panel kits will not fit this installation.
- D** In a side-by-side installation with right and left door hinges together, allow 5" minimum clearance between the two products to prevent one door from striking the other. Additional clearances required when using custom panels and handles.

NOTE: ZUG2, ZUGSS2 or ZUGPP2 grille panel kits will not fit this installation.

DUAL PRODUCT CLEARANCES



FEATURES AND BENEFITS

Custom Panel Model - Can be personalized with cabinet-matching panels and handles

Enhanced Temperature Management System - With precise electronic controls and thermistors, maintains ideal storage conditions for frozen foods

Concealed Ice Drawer - Provides quick and easy access to filtered ice

GE Water™ Filtration System - Provides clean, fresh-tasting water to the freezer's icemaker

ENERGY STAR® Qualification - As an ENERGY STAR® partner, GE has determined that Monogram all-freezers meet the ENERGY STAR® guidelines for energy efficiency

Adjustable, Wire Shelves, Gallon-Size Door Bins and Pullout Baskets - Allow customizable storage for foods and containers of varying sizes

Concealed Halogen Lighting System - Illuminates contents without compromising space



70 to 90% U.S. content. Product content details at GEAppliances.com/USA

