

GE Monogram® Double-Drawer Refrigerator Module



Model# ZIDS240WSS



FEATURES

Storage Drawer	2 Full-extension with Heavy Duty Slides
Adjustable Temperature Control	Electronic
Slide-Out Wine Shelf	Yes
Fold-down Shelf	Top Drawer
Temperature Display	Digital
Control Type	Electronic
Removable Utility Bin	Bottom Drawer
Adjustable Horizontal Divider	Top Drawer
Adjustable Vertical Divider	Top Drawer
Interior Lighting	LED each drawer

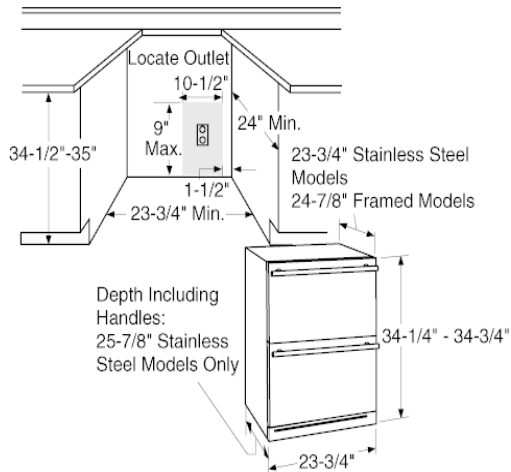
- Full-extension slide-out refrigerated drawers - Storage for everything from whole melons to 146 12-oz. cans
- Adjustable Temperature Control - Maintains a consistent temperature
- LED Temperature Display - Allows you to monitor the temperature at a glance
- Full-Width LED Lighting - Puts contents into clear view
- Stainless Steel Exterior - Convey a look of utmost polish and sophistication
- Stainless steel tubular handle - Designed to coordinate with other Monogram appliances
- Flush Installation - Allows near-seamless integration with surrounding cabinetry
- Adjustable Dividers - Maximizes usable storage space & flexibility
- Removable Drawer Bin - Convenient for separating loose items
- Fold-Down Shelf - Maximizes usable storage space

To locate a GE Monogram dealer, call 1-800-626-2000

GE Monogram® Double-Drawer Refrigerator Module



Model# ZIDS240WSS



APPROXIMATE DIMENSIONS (HxDxW)

- 34 1/2 in x 23 3/4 in x 23 3/4 in

CAPACITY

- Total Capacity (cubic feet) 5.00 cu ft

WARRANTY

- Labor Warranty - Limited 1-year entire appliance
Limited 5-year sealed refrigerating system
- Parts Warranty - Limited 1-year entire appliance
Limited 5-year sealed refrigerating system
- Warranty Notes - For models produced on or after
January 1, 2006
See written warranty for full details

To locate a GE Monogram dealer, call 1-800-626-2000