

MONOGRAM 30" FULLY INTEGRATED CUSTOMIZABLE REFRIGERATORS FOR DUAL INSTALLATION

ZIC30GNNII/
ZIK30GNNII

DIMENSIONS AND INSTALLATION INFORMATION (IN INCHES)

The Installation Space

The finished cutout width must be 30".

The cutout depth must be 25" for flush installations.
- The front face of the refrigerator fits flush with 25" depth adjacent cabinets.

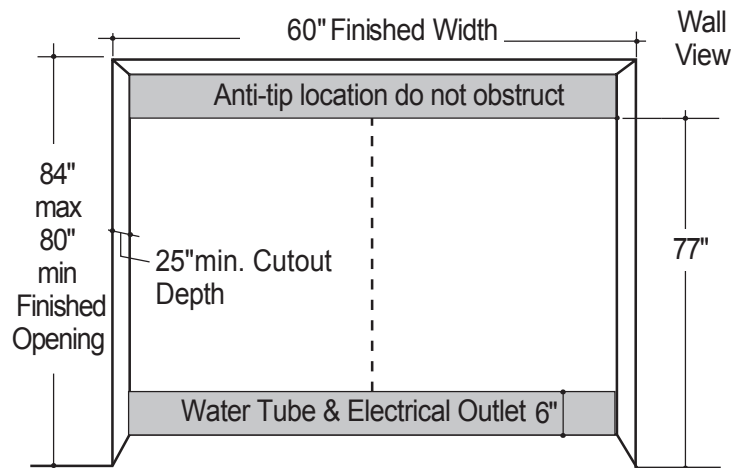
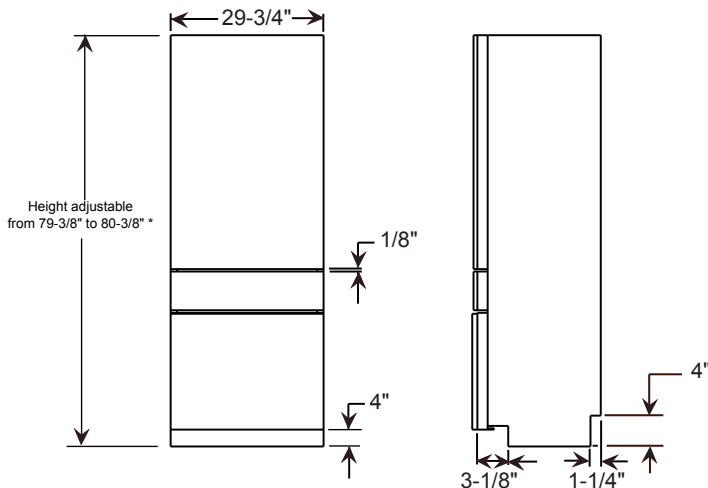
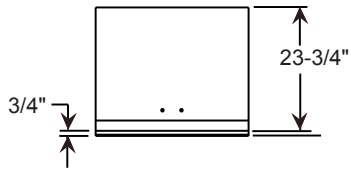
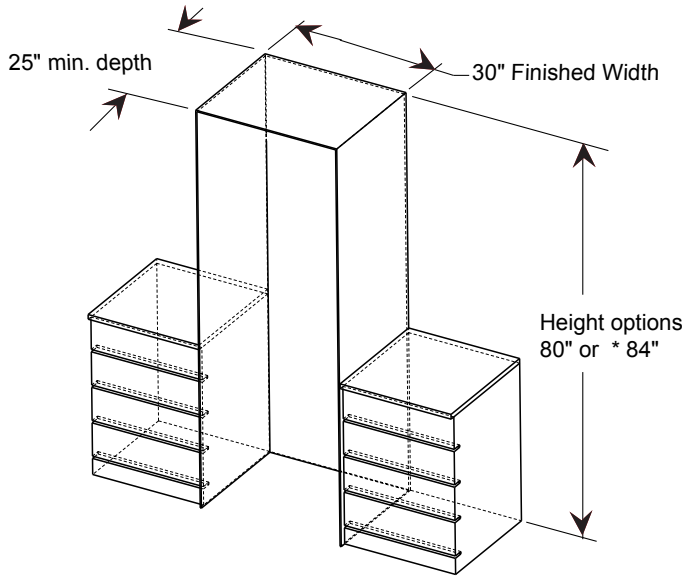
Electrical

A 115V, 60Hz., 15 or 20 amp power supply is required. An individual properly grounded branch circuit or circuit breaker is recommended. Install a properly grounded 3-prong electrical receptacle recessed into the back wall. Electrical must be located on rear wall as shown.

Note: GFI (ground fault interrupter) is not recommended.

Water Line

- A cold water supply is required for automatic icemaker operation. The water pressure must be between 40 and 120 p.s.i.
- Route 1/4" OD copper or GE SmartConnect™ plastic tubing between the house cold water line and the water connection location.
- Tubing should be long enough to extend to the front of the refrigerator. Allow enough tubing to accommodate a bend leading into the water line connection.
- Water line can enter an opening through the floor or back wall.
- Install a shut-off valve between the icemaker water valve and cold water supply in the home.



Note: When two units are placed side by side, order heater kit ZUG30.

ELEVATE EVERYTHING™

MONOGRAM



Product Specification Revised 8/19

MONOGRAM 30" FULLY INTEGRATED CUSTOMIZABLE REFRIGERATORS FOR DUAL INSTALLATION

ZIC30GNNII/
ZIK30GNNII

DIMENSIONS AND INSTALLATION INFORMATION (IN INCHES)

Customization Basics:

These refrigerators are factory set for a right hinged door swing. The door swing is reversible. Choose an RH model with hinge on the right side; the door swings left to right. Choose an LH model with hinge on the left side; the door will swing right to left.

Note:

For 84" panels, the top space behind the top panel can be enclosed with wood and stained by the cabinet maker to match adjacent cabinetry.

Door Handles

Custom handles of your choice, supplied by your cabinetmaker, can be installed. If desired, you may order the Monogram Contemporary or Pro stainless steel handle kits for custom panels.

Optional Accessory Kits

ZUG30: For side-by-side installation

Minimalist Collection

Handle Kit: ZKGC3H3CNSS

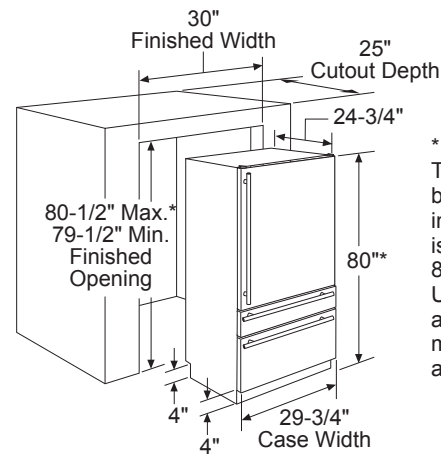
Statement Collection

Handle Kit: ZKGC3H3PNSS

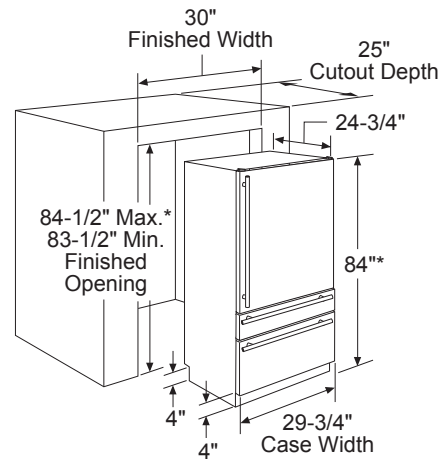
Door Swing Clearances

The installation must allow for clearances to adjacent walls or cabinets. These refrigerators are equipped with a 2-position door stop. The factory-set 115° door swing can be adjusted to 90° if clearance to adjacent cabinets or walls is restricted.

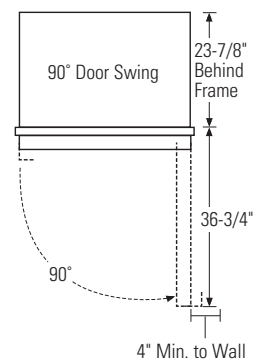
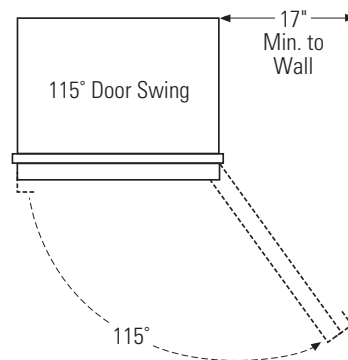
Product Dimensions



* 80" High installation. The refrigerator can be adjusted to fit into a cutout that is 79-1/2" min. to 80-1/2" max. height. Use leveling legs and wheels for a maximum 1" height adjustment.



* 84" High installation. The refrigerator can be adjusted to fit into a cutout that is 83-1/2" min. to 84-1/2" max with the appropriate door kit. Use leveling legs and wheels for a maximum 1" height adjustment.



- Allow 17" minimum clearances for a full 115° door swing.
- 4" minimum clearance is required when the door swing is adjusted to 90°.
- See door swing illustrations to determine interaction with adjacent cabinets or countertops.

ELEVATE EVERYTHING

MONOGRAM



Product Specification Revised 8/19

MONOGRAM 30" FULLY INTEGRATED CUSTOMIZABLE REFRIGERATORS FOR DUAL INSTALLATION

ZIC30GNNII/
ZIK30GNNII

DIMENSIONS AND INSTALLATION INFORMATION (IN INCHES)

SS PANEL ACCESSORY & DIMENSIONS

3/4"-Thick Solid Door Panel Options
For 80" High Installation

- LH Solid SS Door - Model ZKSSN809NLH
- RH Solid SS Door - Model ZKSSN804NRH

For 84" High Installation the door panel is not reversible for the 84" installations. A left or right-hand door panel accessory must be purchased.

- LH Solid SS Door - Model ZKSSN849NLH
- RH Solid SS Door - Model ZKSSN844NRH

Note: Each kit also contains matching freezer and customizable drawer panels, handles and toe kick.

3/4"-Thick Frame for Glass Door Options
For 80" High Installation

- LH Glass Door - Model ZKGSN809NLH
- RH Glass Door - Model ZKSSN804NRH

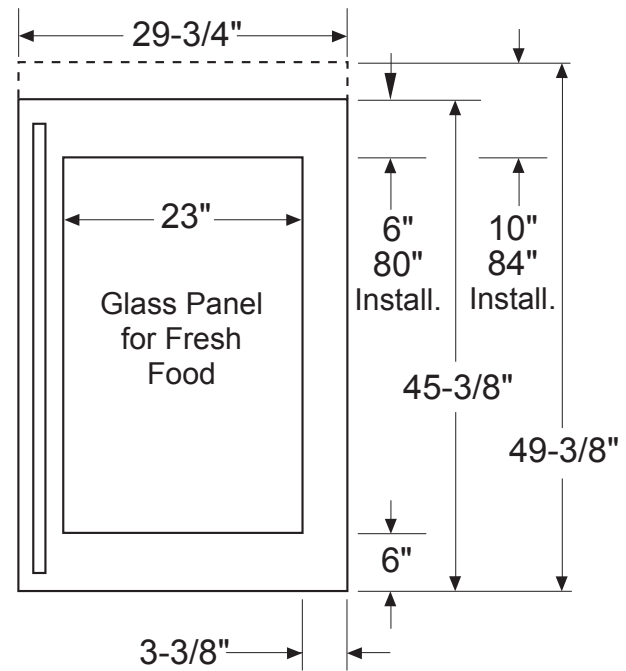
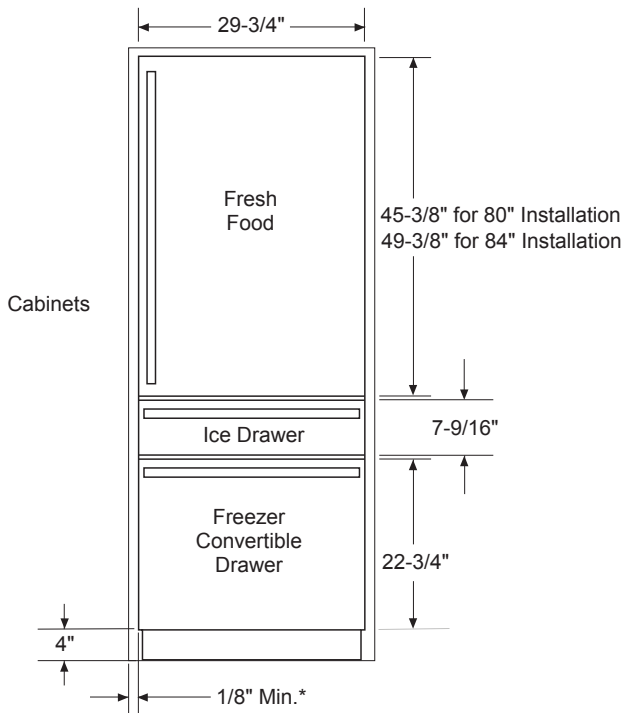
For 84" High Installation The door panel is not reversible for the 84" installations. A left or right-hand door panel accessory must be purchased. The top space behind the top panel can be enclosed with wood and stained by the cabinet maker to match adjacent cabinetry.

- LH Glass Door - Model ZKGSN849NLH
- RH Glass Door - Model ZKGSN844NRH

Note: Each kit also contains matching freezer and convertible drawer panels, handles and toe kick.

Optional Accessory Kits#:

- Side-by-Side Installation Kit - ZUG30
- Minimalist Collection Handle Kit: ZKGC3H3CNSS
- Statement Collection Handle Kit: ZKGC3H3PNSS



*Pro style window is slightly smaller.

ELEVATE EVERYTHING™

MONOGRAM



Product Specification Revised 8/19

MONOGRAM 30" FULLY INTEGRATED CUSTOMIZABLE REFRIGERATORS FOR DUAL INSTALLATION

ZIC30GNNII/
ZIK30GNNII

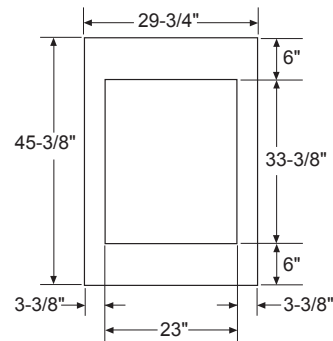
DIMENSIONS AND INSTALLATION INFORMATION (IN INCHES)

3/4" CUSTOM PANEL DIMENSIONS:

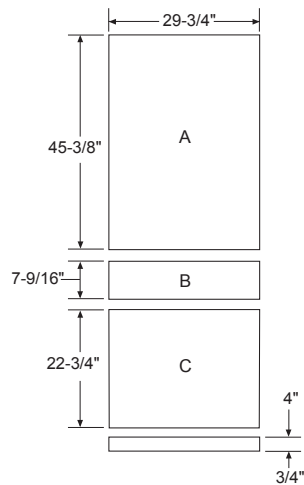
80" High Fully Integrated Installation

If you choose to install custom panels, they must be cut to the dimensions shown.

NOTE: This product is designed to handle 3/4" panels that are made of wood. 33-3/8" x 23" is the maximum opening for a glass window. The opening may be smaller if desired.



PANELS FOR GLASS DOOR



PANELS FOR SOLID DOOR AND DRAWERS

IMPORTANT NOTE:
Maximum panel weight:
A Fresh Food Door Panel: 33 lbs.
B Freezer Door Panel: 9 lbs.
C Convertible Food Door Panel: 19 lbs.

Design Tip: Some amount of each panel will be visible on the interior side of the unit. It is recommended that both sides of each panel be finished.

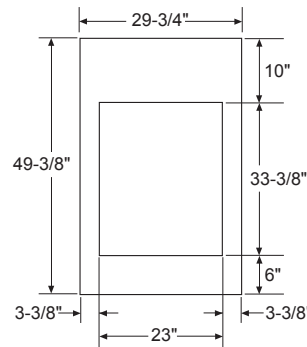
Design Tip: If using custom panels, a custom toe kick should be considered. The bottom of case is white.

3/4" CUSTOM PANEL DIMENSIONS:

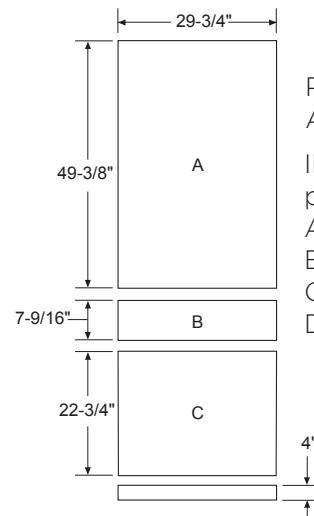
84" High Fully Integrated Installation

If you choose to install custom panels, they must be cut to the dimensions shown. The panels will attach to the door and drawers using a hook and bracket system. The top space behind the top panel can be enclosed with wood and stained by the cabinet maker to match adjacent cabinetry.

NOTE: This product is designed to handle 3/4" panels that are made of wood. 33-3/8" x 23" is the maximum opening for a glass window. The opening may be smaller if desired.



PANELS FOR GLASS DOOR



PANELS FOR SOLID DOOR AND DRAWERS

IMPORTANT NOTE: Maximum panel weight:
A Fresh Food Door Panel: 33 lbs.
B Freezer Door Panel: 9 lbs.
C Convertible Food Door Panel: 19 lbs.

Design Tip: Some amount of each panel will be visible on the interior side of the unit. It is recommended that both sides of each panel be finished.

Design Tip: If using custom panels, a custom toe kick should be considered. The bottom of case is white.

ELEVATE EVERYTHING

MONOGRAM

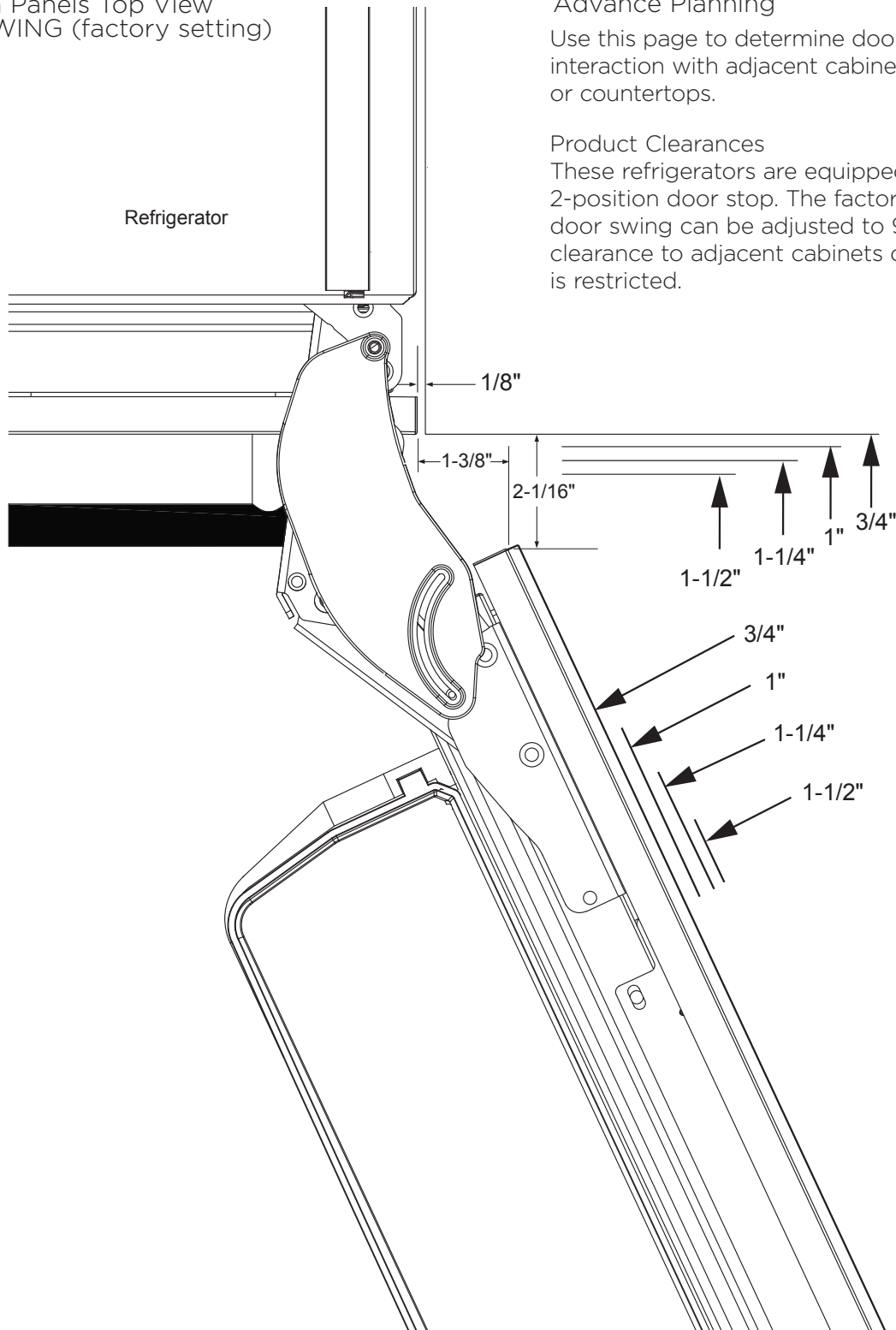


MONOGRAM 30" FULLY INTEGRATED CUSTOMIZABLE REFRIGERATORS FOR DUAL INSTALLATION

ZIC30GNNII/
ZIK30GNNII

DIMENSIONS AND INSTALLATION INFORMATION (IN INCHES)

SS or Custom Panels Top View
115° DOOR SWING (factory setting)



Advance Planning

Use this page to determine door swing interaction with adjacent cabinets or countertops.

Product Clearances

These refrigerators are equipped with a 2-position door stop. The factory-set 115° door swing can be adjusted to 90° if clearance to adjacent cabinets or walls is restricted.

ELEVATE EVERYTHING

MONOGRAM



Listed by
Underwriters
Laboratories

Product Specification Revised 8/19

MONOGRAM 30" FULLY INTEGRATED CUSTOMIZABLE REFRIGERATORS FOR DUAL INSTALLATION

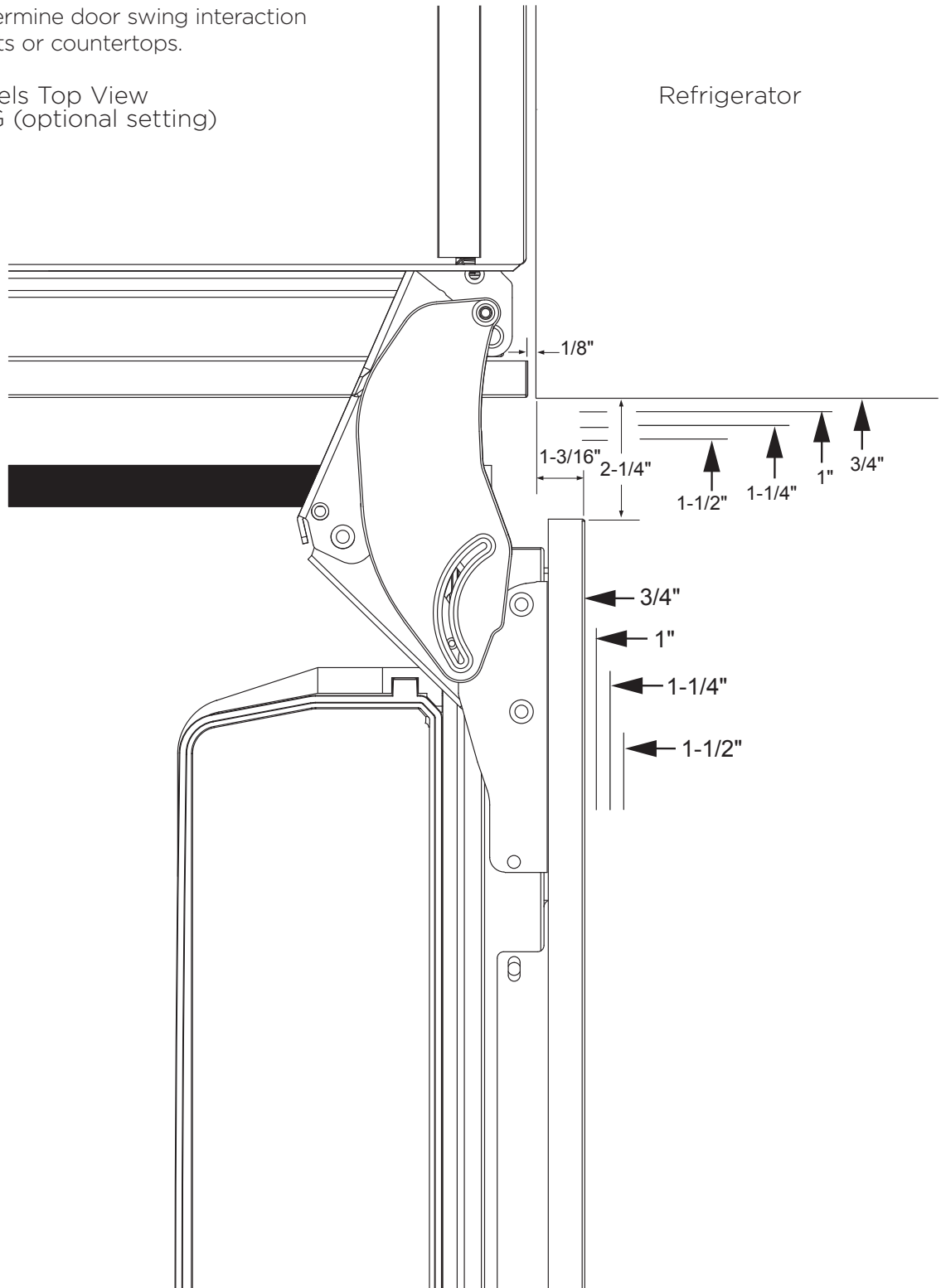
ZIC30GNNII/
ZIK30GNNII

DIMENSIONS AND INSTALLATION INFORMATION (IN INCHES)

Advance Planning

Use this page to determine door swing interaction with adjacent cabinets or countertops.

SS or Custom Panels Top View
90° DOOR SWING (optional setting)



ELEVATE EVERYTHING™

MONOGRAM



Product Specification Revised 8/19

MONOGRAM 30" FULLY INTEGRATED CUSTOMIZABLE REFRIGERATORS FOR DUAL INSTALLATION

ZIC30GNNII/
ZIK30GNNII

FEATURES AND BENEFITS

INTEGRATED DESIGN

Blends seamlessly with surrounding cabinetry and can be fitted with custom or Stainless Steel panels in 80- or 84-inch heights

DUAL-REFRIGERATION SYSTEM

Provides precise and customizable climate control with three independent temperature-management zones

CONVERTIBLE LOWER DRAWER

With independent temperature controls can be used to store fresh food, frozen foods, wine or beverages

GE UNVEILS FIRST HFC-FREE REFRIGERATOR IN THE U.S

Replaces the standard hydrofluorocarbon (HFC) refrigerant with a hydrocarbon (HC) alternative, R600A

FREEZER DRAWER WITH ELECTRONIC ICEMAKER

Includes a removable ice bin and scoop and accommodates everyday freezer items

LED INTERIOR LIGHTING

Gradually brightens and dims when door or drawer is opened and closed

ADJUSTABLE GLASS SHELVES

With aluminum trim provides an elegant and uncluttered appearance

SOFT-CLOSE FREEZER AND CONVERTIBLE DRAWERS

Smoothly and quietly slide into a secure shut position

ILLUMINATED, ELECTRONIC GLASS-TOUCH CONTROLS

Make it easy to adjust interior lighting, temperature (Fahrenheit or Celsius), control lock and other settings for all three climate zones

GE WATER FILTRATION SYSTEM

Provides clean, fresh-tasting ice cubes (GSWF)

SABBATH MODE-CAPABLE

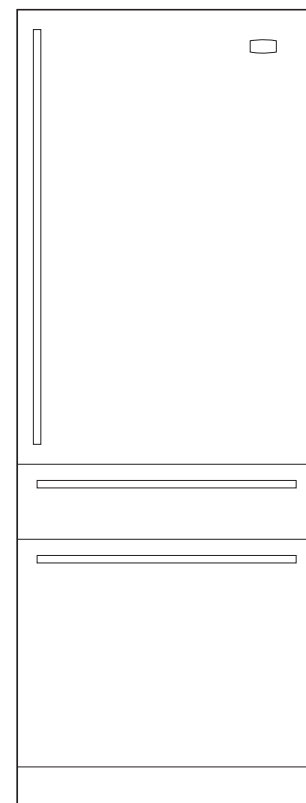
Allows the refrigerator to comply with Kosher practices

ENERGY STAR® QUALIFIED

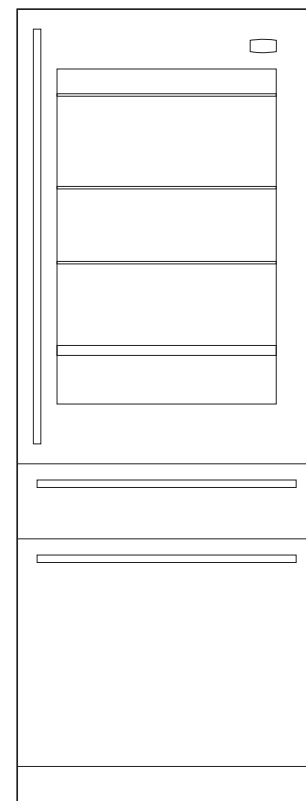
To use less energy and save money (ZIC30GNNII model only)

MODEL ZIC30GNNII - Solid door

MODEL ZIK30GNNII - Glass door



ZIC30GNNII - Solid door



ZIK30GNNII - Glass door

ELEVATE EVERYTHING™

MONOGRAM