

# PROPANE CONVERSION INSTRUCTIONS

## ⚠ WARNING Explosion Hazard

Death or serious injury can result from failure to follow these instructions.

- Service by a qualified service technician only.
- Shut off gas supply and disconnect power before servicing.
- Reconnect all grounding devices after service.
- Replace all parts and panels before operating.

The pressure regulator and the burner orifices are set for natural gas. To use propane gas, the regulator and burner orifices must be converted. This product cannot be converted to propane by adjusting the oven orifices. The orifices must be replaced for propane.

**⚠ WARNING** Do not operate the cooktop or oven burners of this range when using propane (bottled) gas before converting the pressure regulator and burner orifices for propane gas use. Failure to do so could cause high flames and toxic fumes which can result in serious injury.

The propane orifices for the cooktop burners are shipped on the back of the range in the location shown.

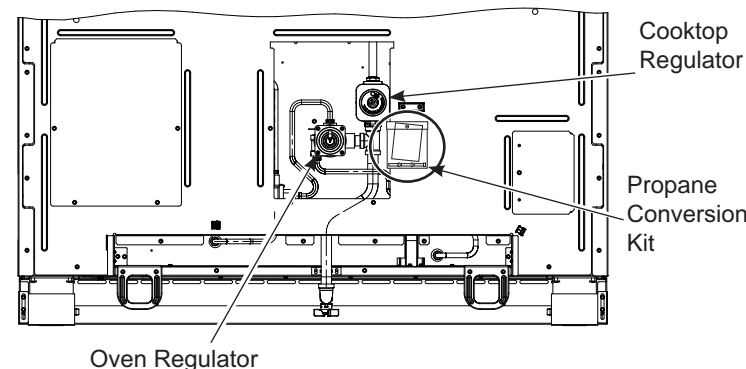
### TOOLS REQUIRED:

- Adjustable wrench
- Socket wrench with 1/2" socket and extension
- Phillips head screwdriver
- Flat bladed screwdriver (blade approximately 3/32" across)
- Nut drivers: 1/4", 9/32" or 7mm
- 7mm open end wrench
- Phillips screwdriver
- Large flat blade screw driver

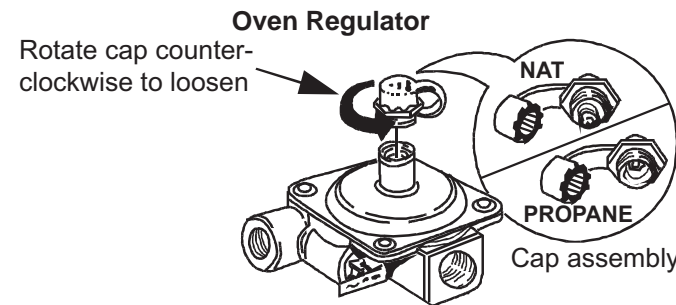
To adjust your range for use with propane gas, follow these instructions:

1. Disconnect all electrical power, at the main circuit breaker or fuse box.
2. Shut off the gas supply to the range by closing the manual shut-off valve.

## CONVERTING THE PRESSURE REGULATORS



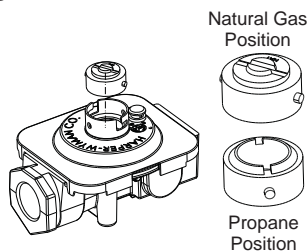
If gas is detected at the regulator, use a liquid leak detector to verify location.



1. Use an adjustable wrench to unscrew the hex-nut cap from the pressure regulator.
2. Completely remove the protective plastic cap off the threaded metal cap.
3. Turn the metal cap so the type of gas being converted to is displayed and replace the protective plastic cover.
4. Screw the hex-nut cap back into the regulator. **(Do not over tighten)**

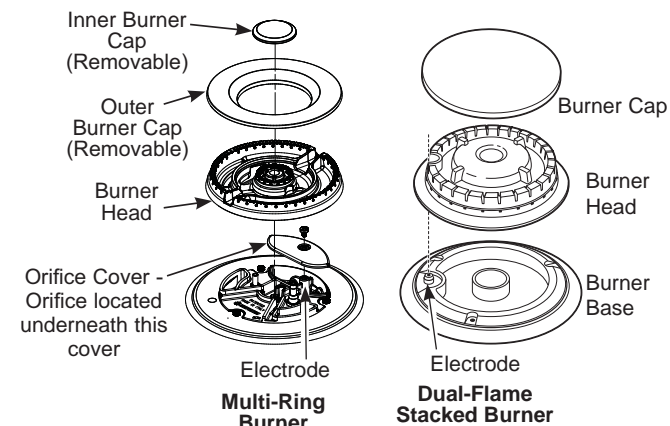
### Cooktop Regulator

1. Use a large flat blade screw driver to remove the cap from the pressure regulator.
2. Turn the brass cap over for propane gas and reinstall into the regulator.



## CONVERTING THE COOKTOP BURNERS

- A. Remove the top grates, burner caps and burner heads.

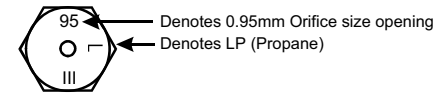


- B. Using a 7 mm or 9/32" nut driver for the Dual Stack burner, or a 7mm or 9/32" open end wrench (only for Multi-ring) to remove the top burner orifices. These may be accessed through the burner opening in the base. The Multi-Ring orifice is accessed by removing the orifice cover using a Phillips screwdriver.

### NOTICE:

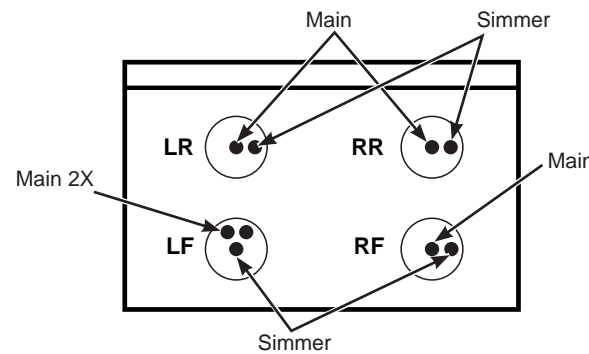
Save these orifices for future conversion back to natural gas.

- C. Remove the propane orifices from the bag provided.



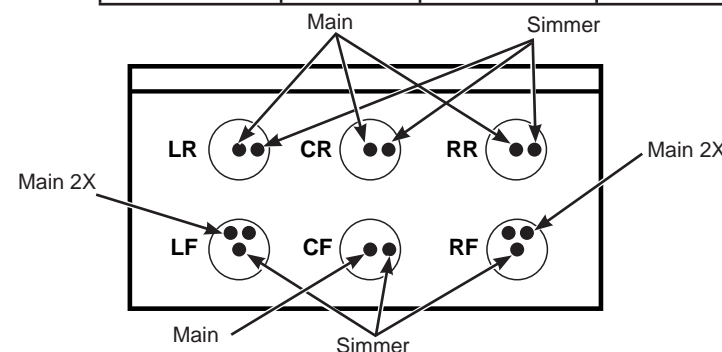
ZGP304  
ZDP304

BURNER OUTPUT RATINGS: BTU/HR			
Propane Gas 10" W.C.P.			
BURNER	BTU RATE	ORIFICE SIZE	MARKING
LF	21,000		
Simmer		0.52 mm	52SL
Main 2X		0.88 mm	88XL
RF	15,000		
Simmer		0.34 mm	34SL
Main		1.08 mm	108L
LR, RR	12,000		
Simmer		0.34 mm	34SL
Main		0.95 mm	95XL
Broil (ZGP304 only)	18,000	0.048"	48L
Bake (ZGP304 only)	21,500	0.053"	53L



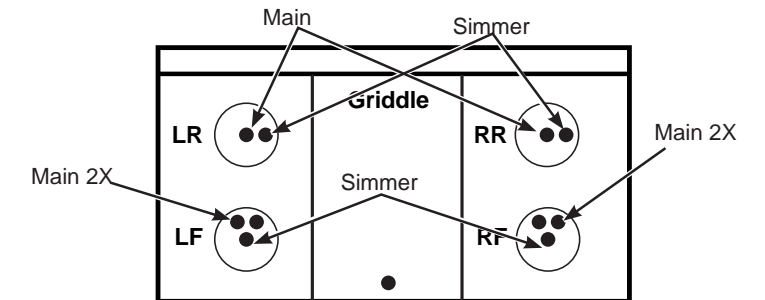
ZGP366  
ZDP366

BURNER OUTPUT RATINGS: BTU/HR			
Propane Gas 10" W.C.P.			
BURNER	BTU RATE	ORIFICE SIZE	MARKING
LF, RF	21,000		
Simmer		0.52 mm	52SL
Main 2X		0.88 mm	88XL
CF, CR	10,000		
Simmer		0.34 mm	34SL
Main		0.88 mm	88XL
LR, RR	15,000		
Simmer		0.34 mm	34SL
Main		1.08 mm	108L
Broil (ZGP366 only)	18,000	0.048"	48L
Bake (ZGP366 only)	21,500	0.053"	53L



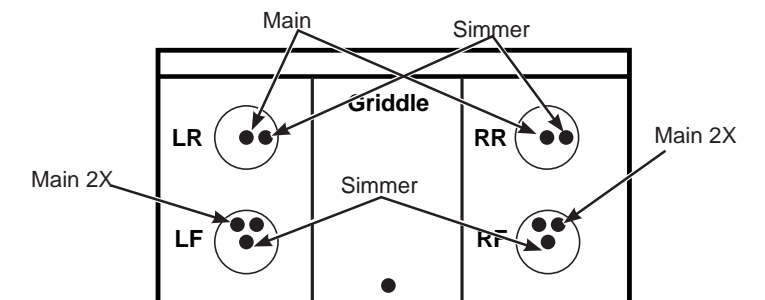
ZDP364

BURNER OUTPUT RATINGS: BTU/HR			
Propane Gas 10" W.C.P.			
BURNER	BTU RATE	ORIFICE SIZE	MARKING
LF, RF	21,000		
Simmer		0.52 mm	52SL
Main 2X		0.88 mm	88XL
LR, RR	12,000		
Simmer		0.34 mm	34SL
Main		0.95 mm	95XL
Griddle	16,000	0.047"	047



ZGP364

BURNER OUTPUT RATINGS: BTU/HR			
Propane Gas 10" W.C.P.			
BURNER	BTU RATE	ORIFICE SIZE	MARKING
LF, RF	21,000		
Simmer		0.52 mm	52SL
Main 2X		0.88 mm	88XL
LR, RR	12,000		
Simmer		0.34 mm	34SL
Main		0.95 mm	95XL
Griddle	16,000	0.047"	047
Broil	18,000	0.048"	48L
Bake	21,500	0.053"	53L

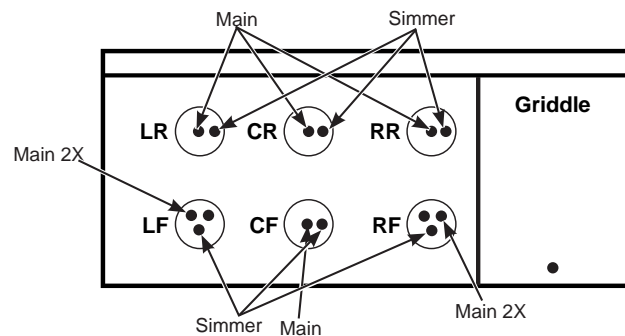


Para acceder a instrucciones completas en Español, visite [GEAppliances.com](http://GEAppliances.com).

**PROPANE CONVERSION INSTRUCTIONS**  
31-2000797 Rev. 5 06-21 GEA  
ZGP304, ZGP366, ZGP364, ZGP486,  
ZDP304, ZDP366, ZDP364, ZDP486, ZDP484

ZGP486  
ZDP486

BURNER OUTPUT RATINGS: BTU/HR			
Propane Gas 10" W.C.P.			
BURNER	BTU RATE	ORIFICE SIZE	MARKING
LF, RF	21,000		
Simmer		0.52 mm	52SL
Main 2X		0.88 mm	88XL
CF, CR	10,000		
Simmer		0.34 mm	34SL
Main		0.88 mm	88XL
LR, RR	15,000		
Simmer		0.34 mm	34SL
Main		1.08 mm	108L
Griddle	16,000	0.047"	047
Left Oven (ZGP486 only)	Broil	11,000	0.038"
	Bake	10,000	0.037"
Right Oven (ZGP486 only)	Broil	18,000	0.048"
	Bake	21,500	0.053"



D. Install the propane orifices in their precise locations.

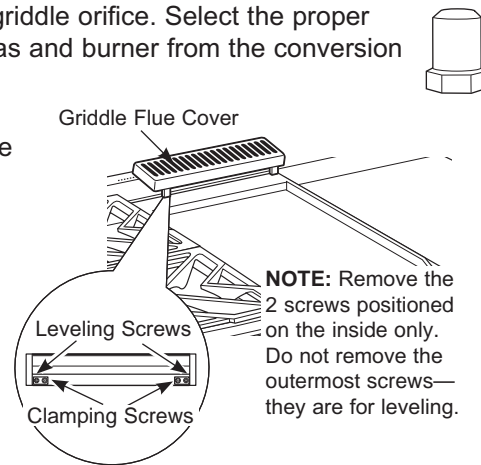
To prevent leakage, make sure the orifice spuds are securely hand tightened into the gas supply tubes. Orifice cover must be reinstalled.

E. Install the old orifice spuds into the bag along with these instructions, and replace onto the back of the range for possible future conversion.

### CONVERT GRIDDLE ORIFICE

Locate the 3/4" long griddle orifice. Select the proper orifice size for your gas and burner from the conversion chart.

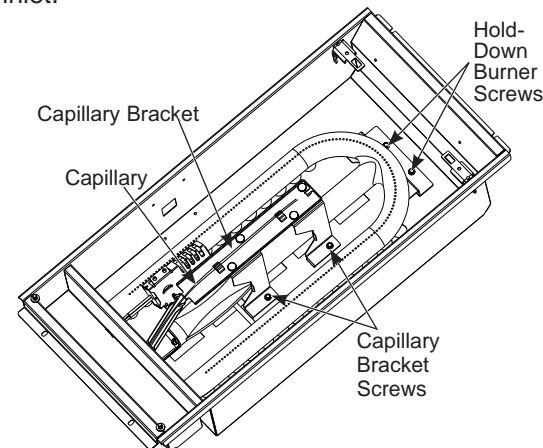
A. Lift off the griddle flue cover. Remove the 2 inside clamping screws.



B. Lift out the cast-iron grease trough. Remove by sliding the griddle toward the rear and out of the hold-down tabs along the bottom.

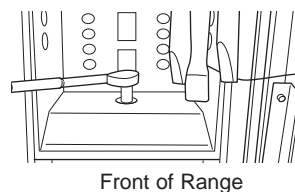
C. Remove the 4 screws on the capillary bracket and set bracket and capillary aside.

D. Remove the 2 hold-down screws at the rear of the burner. Pull the burner straight back toward the rear and out of the gas inlet.



E. Use a 1/2" deep well socket to remove and replace the orifice.

Reverse these steps to reassemble the griddle. Push excess capillary back into the entry hole. Place the unused orifice in the holder for possible future use.



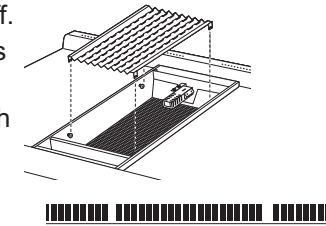
### CONVERT GRILL ORIFICE

Locate the 3/4" long Grill orifice. Select the proper orifice size for your gas and burner from the conversion chart.

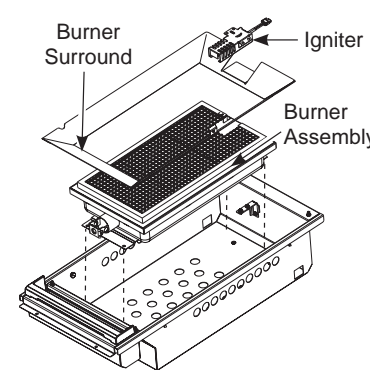
A. Remove the grill cover, grates and grate frame. Lift the radiant baffle straight up and off.

B. Remove the 2 hex head screws from the top of the igniter.

- Remove one screw from each side of the burner surround.
- Lift out the surround.



C. Carefully push the igniter aside and under the burner.



Do not pull or pinch the wire.

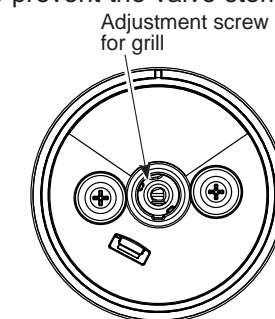
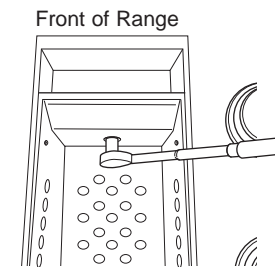
Remove 4 burner attachment screws, 2 at the front and 2 at the back. Slide the burner assembly toward the back and out of the gas inlet.

D. Use a 1/2" deep well socket to remove and replace the orifice.

Reverse these steps to re-assemble the grill. Be sure to place the unused orifice in the holder for possible future use.

E. Adjust Grill "LO" Setting

- Make certain gas and electricity to unit are turned off.
- Turn the grill knob to LO and remove the knob by pulling straight off.
- Insert a small flat-blade screwdriver into the hole in the center of the valve stem to engage set screw.
- To convert the LO setting from natural gas to propane (LP), turn the screw clockwise until it stops (about 1-3/4 turn). It may be necessary to grasp the exterior of the valve stem with a pair of pliers to prevent the valve stem from rotating as the set screw is adjusted.
- To convert the LO setting from the propane (LP) to natural gas setting, turn the screw counterclockwise about 1-3/4 turn.



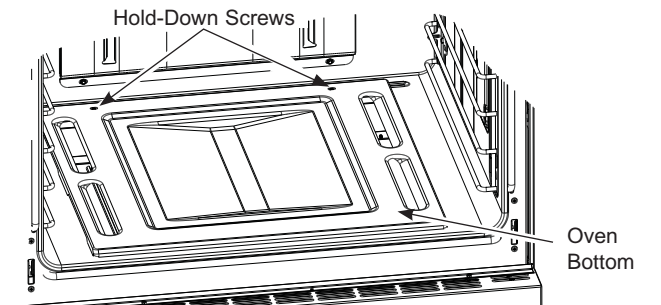
### CONVERT MAIN BAKE BURNER ORIFICE

Locate the 3/4" long bake burner orifice.

Select the proper orifice size for your gas and burner from the conversion chart.

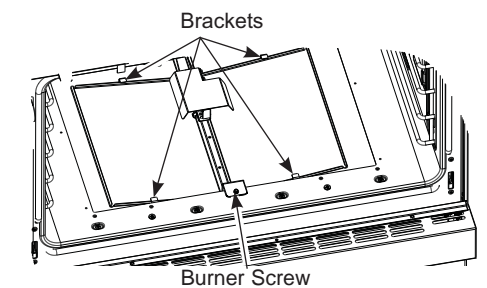
A. Remove the oven door and set aside in a safe location. Refer to Installation Instructions.

B. Remove the 2 oven bottom hold-down screws from the rear of the cover.



C. Slide the oven bottom forward and set aside.

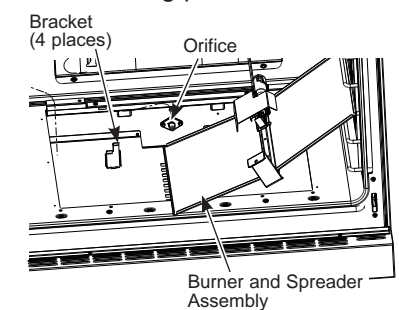
D. Remove the burner screw.



E. Lift the front of the burner up slightly and slide forward setting aside (careful not to damage the igniter.)

F. Use a 1/2" deepwell socket to remove and replace the orifice.

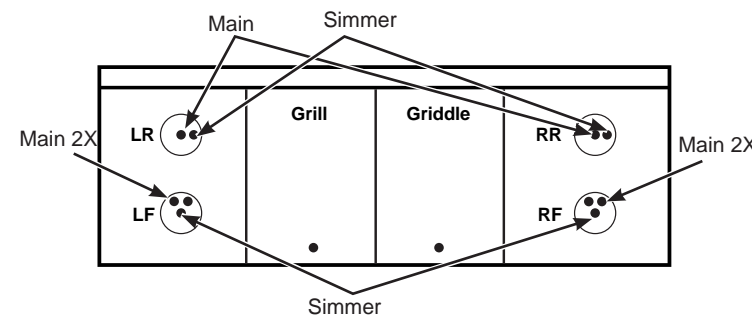
G. Adjust the shutter setting per the chart.



H. Reverse these steps to reassemble the oven burner and oven parts. Make sure you replace spreader within the 4 bracket tabs. Place the unused orifice in the holder for possible future use.

ZDP484

BURNER OUTPUT RATINGS: BTU/HR			
Propane Gas 10" W.C.P.			
BURNER	BTU RATE	ORIFICE SIZE	MARKING
LF, RF	21,000		
Simmer		0.52 mm	52SL
Main 2X		0.88 mm	88XL
LR, RR	12,000		
Simmer		0.34 mm	34SL
Main		0.95 mm	95XL
Griddle	16,000	0.047"	047
Grill	14,000	0.043"	043 and/or green dot



**PROPANE CONVERSION INSTRUCTIONS**  
31-2000797 Rev. 5 06-21 GEA  
ZGP304, ZGP366, ZGP364, ZGP486,  
ZDP304, ZDP366, ZDP364, ZDP486, ZDP484



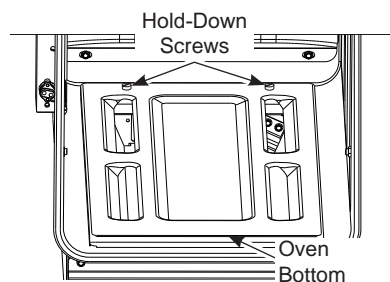
## CONVERT LEFT BAKE BURNER ORIFICE (on 48" models only)

Locate the 3/4" long bake burner orifice.

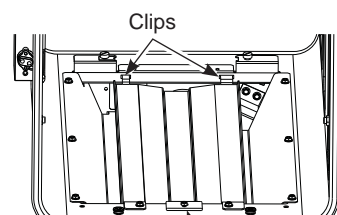
Select the proper orifice size for your gas and burner from the conversion chart.

A. Remove the oven door and set aside in a safe location.

B. Remove the 2 oven bottom hold-down screws from the rear of the cover.

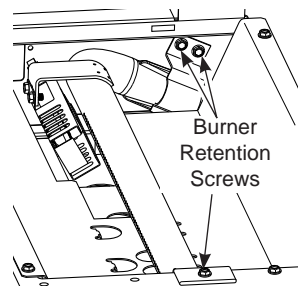


C. Slide the oven bottom forward and set aside.



D. Remove the burner diffuser screw.

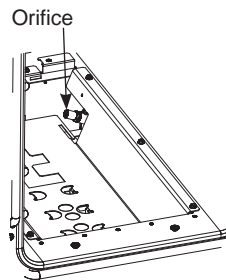
E. Lift the front of the burner diffuser up slightly and slide it forward to disengage the clips at the rear. Set the burner diffuser aside.



F. Remove the 3 burner retention screws (1 in front and 2 at the rear)

G. Lift the front of the burner up slightly and slide leftward to remove.

H. Use a 1/2" deepwell socket to remove and replace the orifice.



I. Reverse these steps to reassemble the oven burner and oven parts. Place the unused orifice in the holder for possible future use.

## CONVERT LEFT BROIL BURNER ORIFICE (on 48" models only)

A. Remove the oven door and set aside in a safe location.

B. Remove the 4 Electric Element screws.

C. Pull electric elements out until terminals reach hole (do not disconnect terminals) and carefully place element over oven floor.

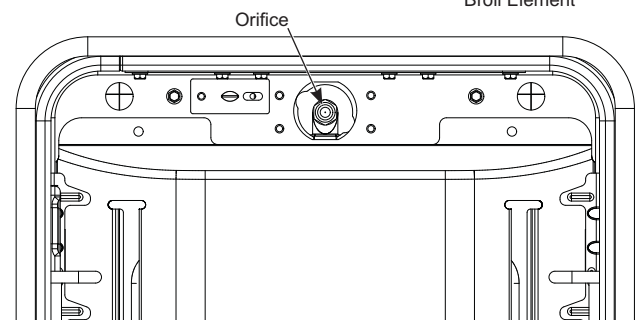
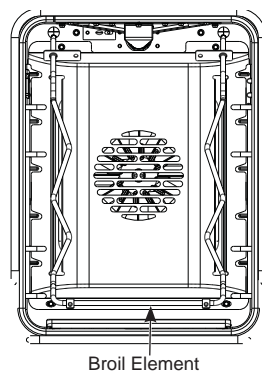
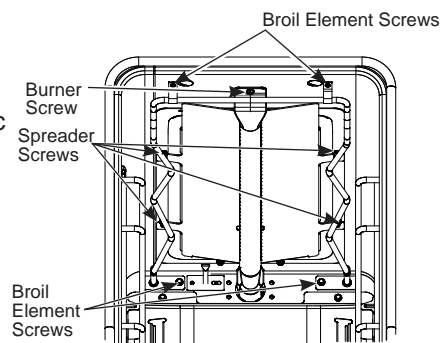
D. Remove the 4 Spreader screws (refer picture 1).

E. Remove the Burner screw and then carefully set the broil system aside (refer picture 1).

F. Use 1/2" socket wrench to loosen and remove and replace the broil orifice.

G. Adjust the shutter setting per the chart.

H. Reverse steps to reassemble the broil burner and electric element. Place the unused orifice in the holder for possible future use.



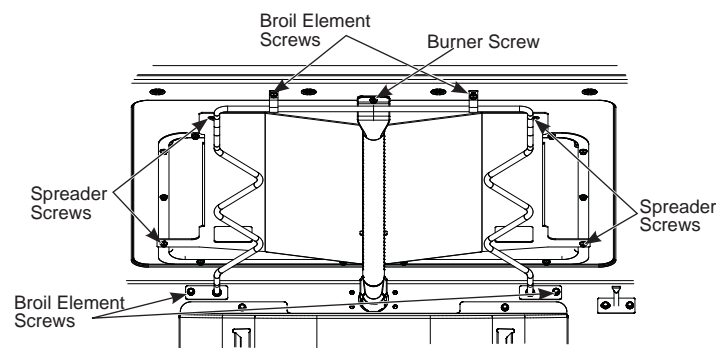
## CONVERT BROIL BURNER ORIFICE

Locate the broil burner orifice.

Select the proper orifice size for your gas and burner from the conversion chart.

A. Remove the oven door and set aside in a safe location.

B. Remove the 4 Electric Element screws.



C. Pull electric elements out until terminals reach hole (do not disconnect terminals). Carefully lower front edge of element to oven floor.

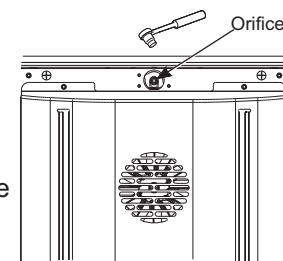
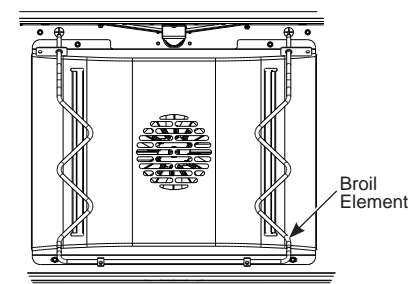
D. Remove the 4 Spreader Screws.

E. Remove the Burner Screw and then carefully set the broil system aside.

F. Use 1/2" socket wrench to loosen, remove, and replace the broil orifice.

G. Adjust the shutter setting per the chart.

H. Reverse steps to reassemble the broil burner and electric element. Place the unused orifice in the holder for possible future use.



## ADJUSTING AIR SHUTTER SETTINGS FOR OVEN BURNERS

The air shutters should be turned to the marked settings NG or propane or set according to the following table.

BURNER	AIR SHUTTER SETTING FOR PROPANE	AIR SHUTTER SETTING FOR NG
Bake	0.430"	0.355"
Broil	0.470"	0.470"

OVEN	BURNER	AIR SHUTTER SETTING FOR PROPANE	AIR SHUTTER SETTING FOR NG
Left Oven (ZGP486 only)	Bake	0.540"	0.250"
	Broil	0.410"	0.355"
Right Oven (ZGP486 only)	Bake	0.430"	0.355"
	Broil	0.470"	0.470"

- With a Phillips head screwdriver, loosen the screws securing the air shutter on the bake burner. Adjust the air shutter to the dimension given in the above table.
  - Turn on the gas.
  - Turn on the electricity.
  - Reinstall the oven door.
  - Turn on the bake burner.
- Oven burner flame must be observed with the door closed to properly check flame characteristics.**
- As you watch the flame with the oven door closed, check the following through the oven door window.
    - For Natural Gas, if the flames are yellow, open the air shutter more.
    - If the flames blow away or flutter from the burner, close the air shutter slightly.

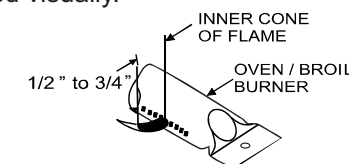
7. Turn bake burner off and repeat with broil burner.

**WARNING** If you attempt to measure the inner cone of the flame, please use caution: burns could result.

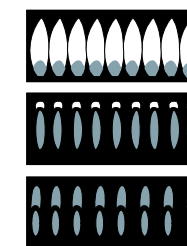
8. Checking the flame size:

It should be approximately 1/2" to 3/4" long for the bake and broil burners.

The combustion quality of the burner flames needs to be determined visually.



**NOTE: If burner flames look like (A), further air shutter adjustment to the bake burner is required. Normal burner flames should look like (B) or (C), depending on the type of gas you use. With propane gas, some yellow tipping on the outer cones is normal.**



(A) Yellow flames: Further Adjustment Required

(B) Yellow tips on outer cones: Normal for Propane Gas

(C) Soft blue flames: Normal for Natural Gas

Foreign particles in the gas line may cause an orange flame at first, but this will soon disappear.

9. When all adjustments are made and the results are satisfactory:

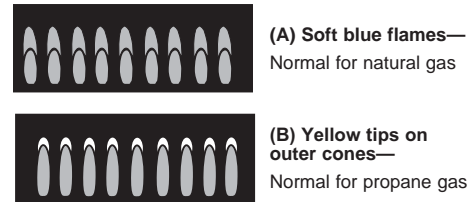
- Retighten the air shutter screws.
- Replace the oven bottom.

## CHECK SURFACE BURNERS

Push and turn a knob to the LITE position. A clicking sound indicates proper operation of the ignition system. When lighting any burner, sparks will appear at all burners but gas flows from only the one selected. Once air is purged from the supply line, burner should light within 4 seconds. After burner lights, rotate the knob out of the LITE position. Try each burner in succession until all burners have been checked.

### Quality of Flames

Determine the quality of flames visually. Normal burner flames should look like (A) or (B).



Long, bright yellow flames are not normal. Normal flames may show signs of an orange tint when well heated or signs of flickering orange due to particles in the gas or air.

## ADJUSTING LOW FLAME SETTING ON COOKTOP BURNERS

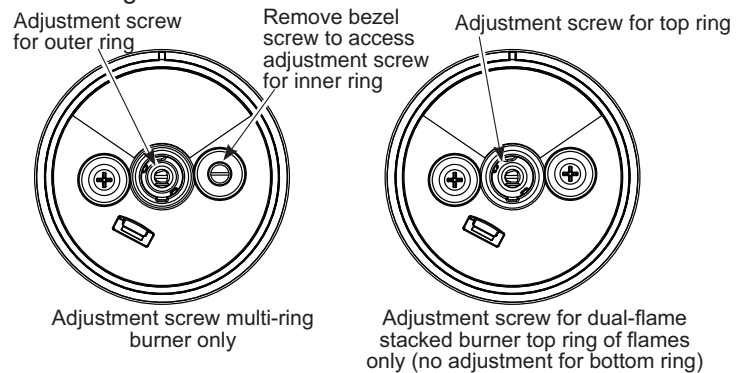
Low setting adjustments must be made with other burners in operation on a medium setting. This procedure prevents the low flame from being set too low, resulting in the flame being extinguished when other burners are turned on.

A. Turn on all surface burners to medium setting.

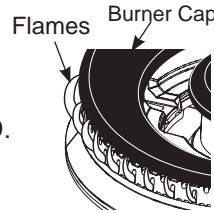
B. Multi-Ring Burners – Outer Ring and Inner Ring

1. Rotate the knob to the MED setting.

2. Remove the knob and insert a small flat blade screwdriver into the valve shaft and turn clockwise to tighten down the bypass set screw. Hold outer shaft while turning inner screw.



- The OUTER RING flames should be adjusted so that they barely curl over the top edge of the burner cap as shown.
- If the flame appears too low or unstable, slowly turn bypass screw counterclockwise until a stable flame exists for each burner. Remember, other burner must be turned on to MED.
- Replace knob and rotate knob to the LO setting.
- Remove the knob AND the right side bezel screw as shown.
- The INNER RING flames should be adjusted by inserting a small flat blade screwdriver into the bezel screw hole and turning clockwise to tighten down the bypass set screw with the knob at the LO setting. Locate the screw through the hole with a flashlight if necessary.
- If the flame appears too low or unstable, slowly turn bypass screw counterclockwise until a stable flame exists for each burner. Remember, other burner must be turned on to MED. When adjusting, make sure the low flame is contacting the ignitor and the burner head is grounded properly or the spark module will continue to attempt to reignite the flame.
- Reinstall right side bezel screw. Do not over tighten. Replace the knob.



C. Dual-Flame Stacked Burners – Upper Flames

1. Rotate the knob to the MED setting.

2. Remove the knob.

3. The upper ring of flames should be adjusted with the knob at the MED setting by adjusting the set screw in the center valve shaft. Hold outer shaft while turning inner screw. The flames should be adjusted so that they barely curl over the top edge of the burner cap.

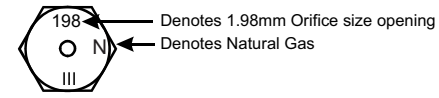
4. Replace knob.

D. Additionally quickly open the over door while observing flame. If flame is extinguished, continue adjusting set screw for a larger flame. Repeat door openings until flame is stable.

### SPECIAL NOTE:

To convert the oven back to natural gas, reverse the instructions given in making propane adjustments. Save these orifices for future conversion back to natural gas.

## ADDITIONAL INFORMATION



ZGP304  
ZDP304

BURNER OUTPUT RATINGS: BTU/HR			
NG (Natural) Gas 5" W.C.P.			
BURNER	BTU RATE	ORIFICE SIZE	MARKING
LF	21,000		
Simmer		0.82 mm	82SN
Main 2X		1.38 mm	138XN
RF	15,000		
Simmer		0.51 mm	51SN
Main		1.68 mm	168N
LR, RR	15,000		
Simmer		0.51 mm	51SN
Main		1.68 mm	168N
Broil (ZGP304 only)	18,000	0.074"	74N
Bake (ZGP304 only)	23,500	0.085"	85N

ZGP366  
ZDP366

BURNER OUTPUT RATINGS: BTU/HR			
NG (Natural) Gas 5" W.C.P.			
BURNER	BTU RATE	ORIFICE SIZE	MARKING
LF, RF	23,000		
Simmer		0.82 mm	82SN
Main 2X		1.46 mm	146XN
CF, CR	15,000		
Simmer		0.51 mm	51SN
Main		1.68 mm	168N
LR, RR	18,000		
Simmer		0.51 mm	51SN
Main		1.86 mm	186N
Broil (ZGP366 only)	18,000	0.074"	74N
Bake (ZGP366 only)	23,500	0.085"	85N

ZDP364

BURNER OUTPUT RATINGS: BTU/HR			
NG (Natural) Gas 5" W.C.P.			
BURNER	BTU RATE	ORIFICE SIZE	MARKING
LF	23,000		
Simmer		0.82 mm	82SN
Main 2X		1.46 mm	146XN
RF	21,000		
Simmer		0.82 mm	82SN
Main 2X		1.52 mm	152N
LR, RR	15,000		
Simmer		0.51 mm	51SN
Main		1.68 mm	168N
Griddle	18,000	0.076"	076

ZGP486  
ZDP486

BURNER OUTPUT RATINGS: BTU/HR			
NG (Natural) Gas 5" W.C.P.			
BURNER	BTU RATE	ORIFICE SIZE	MARKING
LF, RF	23,000		
Simmer		0.82 mm	82SN
Main 2X		1.46 mm	146XN
CF, CR	15,000		
Simmer		0.51 mm	51SN
Main 2X		1.68 mm	168N
LR, RR	18,000		
Simmer		0.51 mm	51SN
Main 2X		1.86 mm	186N
Griddle	18,000	0.076"	076
Left Oven (ZGP486 only)	Broil	11,000	0.057"
	Bake	10,500	0.056"
Right Oven (ZGP486 only)	Broil	18,000	0.074"
	Bake	23,500	0.085"

ZDP484

BURNER OUTPUT RATINGS: BTU/HR			
NG (Natural) Gas 5" W.C.P.			
BURNER	BTU RATE	ORIFICE SIZE	MARKING
LF	23,000		
Simmer		0.82 mm	82SN
Main 2X		1.46 mm	146XN
RF	21,000		
Simmer		0.82 mm	82SN
Main 2X		1.52 mm	152XN
LR, RR	15,000		
Simmer		0.51 mm	51SN
Main		1.68 mm	168N
Griddle	18,000	0.076"	076
Grill	14,000	0.069"	069

ZGP364

BURNER OUTPUT RATINGS: BTU/HR			
NG (Natural) Gas 5" W.C.P.			
BURNER	BTU RATE	ORIFICE SIZE	MARKING
LF, RF	23,000		
Simmer		0.82 mm	82SN
Main 2X		1.46 mm	146XN
LR, RR	15,000		
Simmer		0.51 mm	51SN
Main		1.68 mm	168N
Griddle	18,000	0.076"	076
Broil	18,000	0.074"	74N
Bake	23,500	0.085"	85N

**PROPANE CONVERSION INSTRUCTIONS**  
31-2000797 Rev. 5 06-21 GEA  
ZGP304, ZGP366, ZGP364, ZGP486,  
ZDP304, ZDP366, ZDP364, ZDP486, ZDP484



# INSTRUCTIONS POUR LA CONVERSION AU PROPANE

## ⚠ AVERTISSEMENT



### Risque d'explosion

L'omission d'observer ces instructions peut causer des blessures sévères, voire fatales.

- Le service de l'appareil (réparation, entretien) doit être effectué par un technicien qualifié seulement.
- Coupez l'alimentation électrique et du gaz avant le service.
- Reconnectez tous les dispositifs de mise à la terre après le service.
- Remettez en place toutes les pièces et panneaux avant l'utilisation.

Le régulateur de pression et les orifices de brûleur sont réglés pour le gaz naturel. Pour utiliser le propane, il faut convertir le régulateur et les orifices de brûleur. Ce produit ne peut pas être converti au propane en réglant les orifices du four. Les orifices doivent être remplacés par celles pour le propane.

## ⚠ AVERTISSEMENT

Si vous employez du gaz propane (embouteillé), n'utilisez pas les brûleurs de la table de cuisson ou du four de cette cuisinière avant de convertir le régulateur de pression et les orifices de brûleur au gaz propane. L'omission de respecter cette consigne peut générer des flammes hautes et des émanations toxiques représentant un risque de blessure grave.

Les orifices des brûleurs de la table de cuisson pour le propane sont livrés sur l'arrière de la cuisinière à l'endroit illustré.

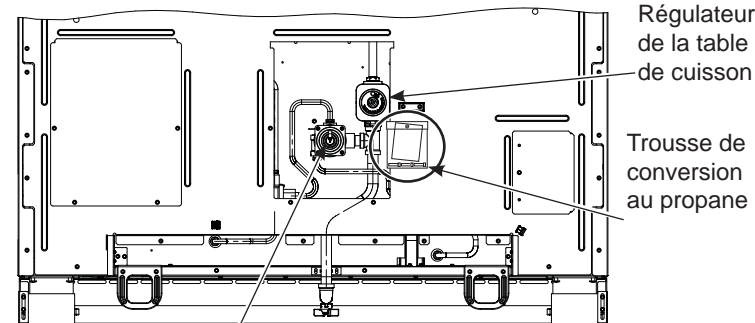
## OUTILS REQUIS :

- Clé réglable
- Clé à douille : 1/4 po, 9/32 po
- Clé à douille avec douille 1/2 po et extension
- Clé ouverte 7 mm
- Tournevis à pointe cruciforme
- Tournevis T-15
- Tournevis à lame plate (largeur de lame 3/32 po environ)
- Tournevis à lame large

Pour régler votre cuisinière pour le propane, suivez ces instructions :

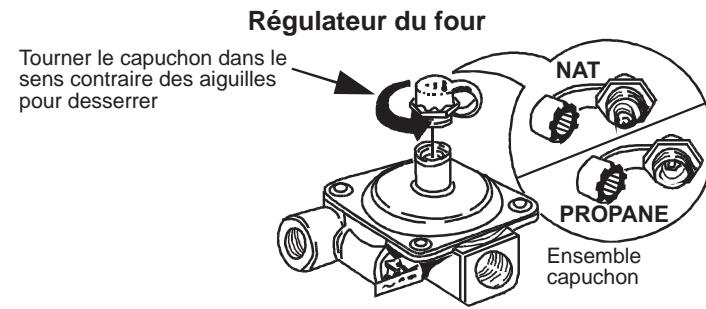
1. Coupez l'alimentation électrique au disjoncteur principal ou à la boîte des fusibles.
2. Coupez l'alimentation du gaz à la cuisinière en fermant le robinet d'arrêt du gaz manuel.

## CONVERSION DU RÉGULATEUR DE PRESSION



Régulateur du four

Si du gaz est détecté au régulateur, utilisez un détecteur de fuites liquide pour identifier le lieu de la fuite.

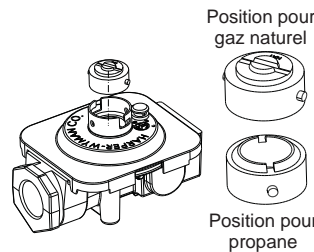


Tourner le capuchon dans le sens contraire des aiguilles pour desserrer

1. Utilisez une clé réglable pour dévisser le capuchon à écrou hexagonal du régulateur de pression.
2. Retirez complètement le couvercle de protection en plastique du capuchon métallique fileté.
3. Tournez le capuchon métallique jusqu'à ce que le type de gaz ciblé par la conversion s'affiche, puis remplacez le couvercle de protection en plastique.
4. Vissez le capuchon à écrou hexagonal dans le régulateur. (**Ne pas serrer excessivement**).

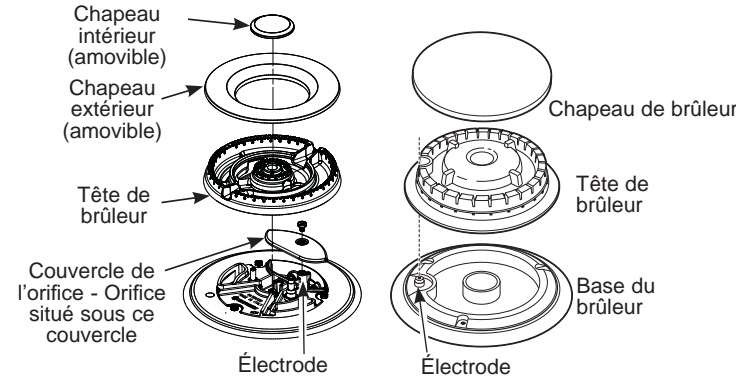
## Régulateur de la table de cuisson

1. Utilisez un tournevis dont la lame plate est large pour retirer le capuchon du régulateur de pression.
2. Tournez le capuchon de laiton à la position du gaz propane et réinstallez dans le régulateur.



## CONVERSION DES BRÛLEURS DE LA TABLE DE CUISSON

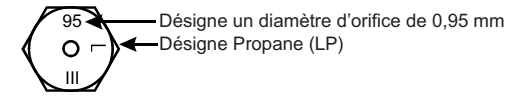
- A. Retirez les grilles supérieures ainsi que les chapeaux et les têtes des brûleurs.



- B. Pour retirer l'orifice du brûleur de surface, utilisez un tournevis à douille 7 mm ou 9/32 po dans le cas d'un brûleur à double flammes superposées, ou une clé ouverte 7 mm ou 9/32 po dans le cas d'un brûleur à plusieurs anneaux. On peut accéder aux orifices par l'ouverture du brûleur dans la base. On accède à l'orifice du brûleur à plusieurs anneaux en retirant le couvercle de l'orifice à l'aide d'un tournevis à pointe cruciforme.

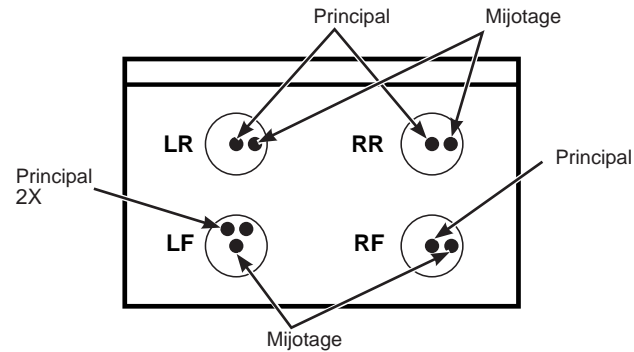
**AVIS :** Conservez ces orifices pour une éventuelle rétro-conversion au gaz naturel.

- C. Retirez les orifices pour propane du sac fourni.



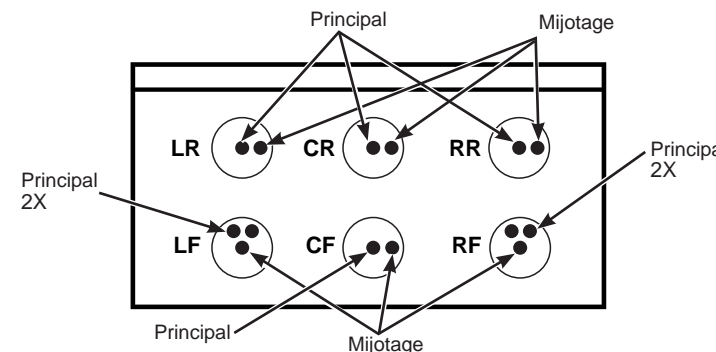
ZGP304  
ZDP304

PUISSANCE CALORIFIQUE DES BRÛLEURS : BTU/H			
Gaz propane (LP) 10 po de colonne d'eau			
BRÛLEUR	TAUX BTU	DIAM. ORIFICE	MARQUAGE
LF, RF	21,000		
Mijotage		0.52 mm	52SL
Principal 2X		0.88 mm	88XL
LR, RR	12,000		
Mijotage		0.34 mm	34SL
Principal		1.08 mm	108L
LR, RR	12,000		
Mijotage		0.34 mm	34SL
Principal		0.95 mm	95XL
Grillage (modèle ZGP304 seulement)	18,000	0.048"	48L
Cuisson four (modèle ZGP304 seulement)	21,500	0.053"	53L



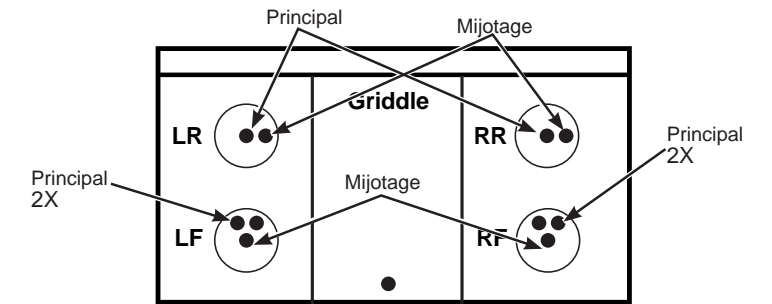
ZGP366  
ZDP366

PUISSANCE CALORIFIQUE DES BRÛLEURS : BTU/H			
Gaz propane (LP) 10 po de colonne d'eau			
BRÛLEUR	TAUX BTU	DIAM. ORIFICE	MARQUAGE
LF, RF	21,000		
Mijotage		0.52 mm	52SL
Principal 2X		0.88 mm	88XL
CF, CR	10,000		
Mijotage		0.34 mm	34SL
Principal		0.88 mm	88XL
LR, RR	15,000		
Mijotage		0.34 mm	34SL
Principal		1.08 mm	108L
Grillage (modèle ZGP366 seulement)	18,000	0.048"	48L
Cuisson four (modèle ZGP366 seulement)	21,500	0.053"	53L



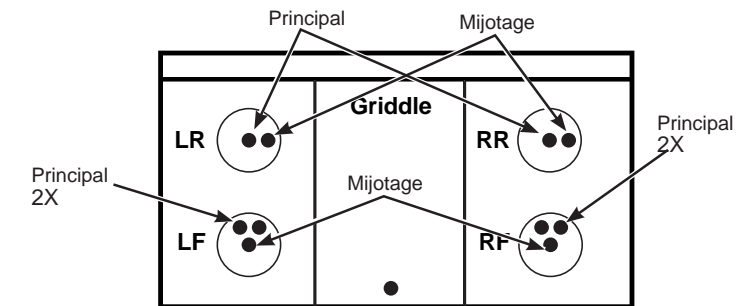
ZDP364

PUISSANCE CALORIFIQUE DES BRÛLEURS : BTU/H			
Gaz propane (LP) 10 po de colonne d'eau			
BRÛLEUR	TAUX BTU	DIAM. ORIFICE	MARQUAGE
LF, RF	21,000		
Mijotage		0.52 mm	52SL
Principal 2X		0.88 mm	88XL
LR, RR	12,000		
Mijotage		0.34 mm	34SL
Principal		0.95 mm	95XL
Plaque chauffante	16,000	0.047"	047



ZGP364

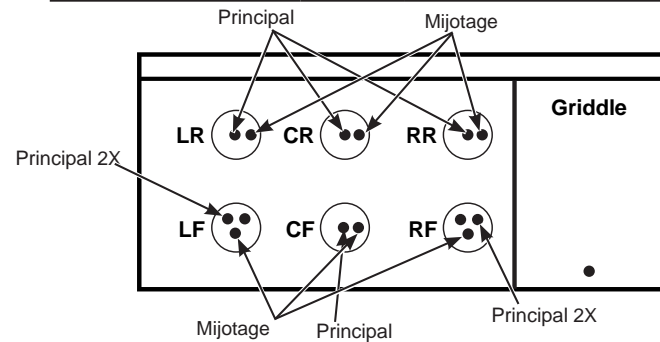
PUISSANCE CALORIFIQUE DES BRÛLEURS : BTU/H			
Gaz propane (LP) 10 po de colonne d'eau			
BRÛLEUR	TAUX BTU	DIAM. ORIFICE	MARQUAGE
LF, RF	21,000		
Mijotage		0.52 mm	52SL
Principal 2X		0.88 mm	88XL
LR, RR	12,000		
Mijotage		0.34 mm	34SL
Principal		0.95 mm	95XL
Plaque chauffante	16,000	0.047"	047
Grillage	18,000	0.048"	48L
Cuisson four	21,500	0.053"	53L



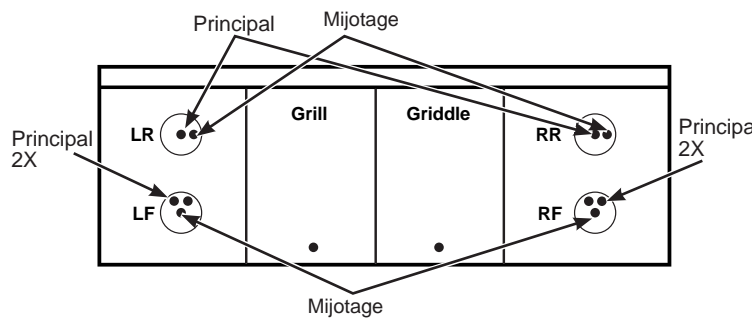
INSTRUCTIONS POUR LA CONVERSION AU PROPANE  
31-2000797 Rev. 5 06-21 GEA  
ZGP304, ZGP366, ZGP364, ZGP486,  
ZDP304, ZDP366, ZDP364, ZDP486, ZDP484

ZGP486  
ZDP486

PUISSANCE CALORIFIQUE DES BRÛLEURS : BTU/H			
Gaz propane (LP) 10 po de colonne d'eau			
BRÛLEUR	TAUX BTU	DIAM. ORIFICE	MARQUAGE
LF, RF	21,000		
Mijotage		0.52 mm	52SL
Principal 2X		0.88 mm	88XL
CF, CR	10,000		
Mijotage		0.34 mm	34SL
Principal		0.88 mm	88XL
LR, RR	15,000		
Mijotage		0.34 mm	34SL
Principal		1.08 mm	108L
Plaque chauffante	16,000	0.047"	047
Four gauche (ZGP486 seulement)	Grillage	11,000	0.038"
	Cuisson four	10,000	0.037"
Four droit (ZGP486 seulement)	Grillage	18,000	0.048"
	Cuisson four	21,500	0.053"



BURNER OUTPUT RATINGS: BTU/HR			
Propane Gas 10" W.C.P.			
BURNER	BTU RATE	ORIFICE SIZE	MARKING
LF, RF	21,000		
Mijotage		0.52 mm	52SL
Principal 2X		0.88 mm	88XL
LR, RR	12,000		
Mijotage		0.34 mm	34SL
Principal		0.95 mm	95XL
Plaque chauffante	16,000	0.047"	047
Grill	14,000	0.043"	043 et ou point vert

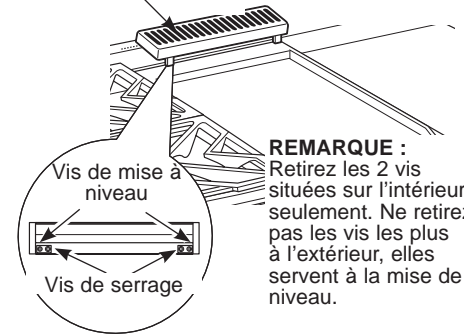


- D. Installez les orifices pour propane à leur emplacement exact. Pour prévenir les fuites, assurez-vous que les injecteurs des orifices sont bien vissés à la main dans les tubes d'alimentation du gaz. Le couvercle des orifices doit être réinstallés.
- E. Installez les anciens injecteurs des orifices dans le sac avec les présentes instructions, et remplacez le tout sur l'arrière de la cuisinière dans l'éventualité d'une rétro-conversion

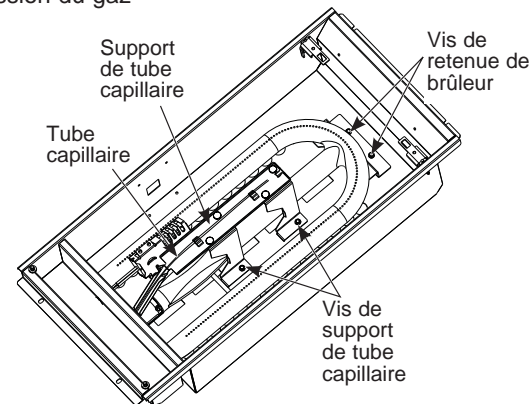
### CONVERSION DE L'ORIFICE DE LA PLAQUE CHAUFFANTE

Repérez l'orifice de la plaque chauffante d'une longueur de 3/4 po. Sélectionnez le diamètre d'orifice approprié pour votre gaz et votre brûleur d'après le tableau de conversion.

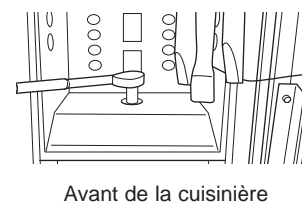
- A. Soulevez le couvercle du conduit d'aération de la plaque chauffante. Retirez les 2 vis de serrage intérieures. Couverture du conduit d'aération



- B. Soulevez le dalot à graisse en fer forgé. Retirez-le en glissant la plaque chauffante vers l'arrière puis l'extérieur des languettes de retenue le long du bas.
- C. Retirez les 4 vis du support du tube capillaire puis mettez le support et le tube de côté.
- D. Retirez les deux vis de retenue à l'arrière du brûleur. Tirez le brûleur directement vers l'arrière puis hors de l'orifice d'admission du gaz



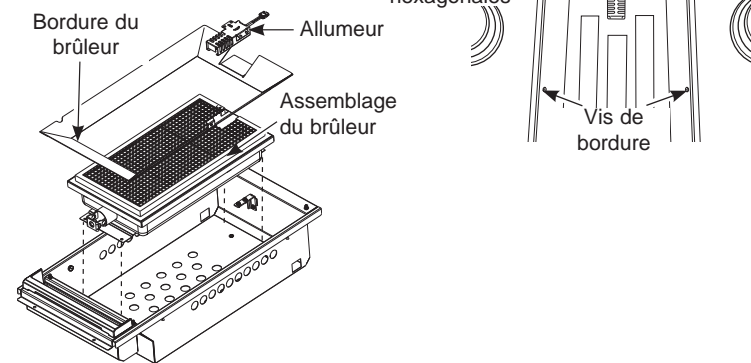
- E. Inversez l'ordre de ces étapes pour remonter la plaque chauffante. Poussez la longueur excédentaire du tube capillaire dans le trou d'entrée. Placez l'orifice inutilisé dans le porte-orifice pour une utilisation éventuelle dans le futur.



### CONVERTIR L'ORIFICE DU GRIL

Repérez l'orifice du grill d'une longueur de 3/4 po. Sélectionnez la taille d'orifice appropriée pour votre gaz et votre brûleur d'après le tableau de conversion.

- A. Retirez le couvercle du grill, les grilles et le cadre de grille. Soulevez la chicane radiante en ligne droite puis vers l'extérieur.
- B. Retirez les 2 vis à tête hexagonales dans le haut de l'allumeur.
- Retirez une vis de chaque côté de la bordure du brûleur.
  - Soulevez le contour.
- C. Poussez avec soin l'allumeur de côté et sous le brûleur.

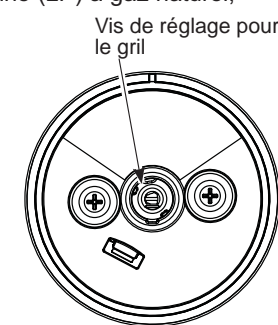
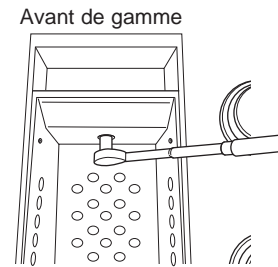


Évitez de tirer ou de pincer le câble. Retirez 4 vis de brûleur et de fixation, 2 à l'avant et 2 à l'arrière. Glissez l'assemblage du brûleur vers l'arrière puis hors de l'orifice d'admission du gaz.

- D. Utilisez une douille profonde de 1/2 po pour retirer et replacer l'orifice.

Inversez l'ordre de ces étapes pour réinstaller le grill. Assurez-vous de placer l'orifice inutilisé dans le porte-orifice pour une utilisation éventuelle dans le futur.

- E. Ajustez le réglage « LO » du grill.
- Assurez-vous que l'alimentation en gaz et en électricité à l'appareil est coupée.
  - Tournez le bouton du grill à la position LO puis retirez-le en tirant en ligne droite.
  - Insérez un petit tournevis à tête plate dans le trou au centre de la tige de valve pour engager la vis de réglage.
  - Pour convertir le réglage LO de gaz naturel à propane (LP), tournez la vis dans le sens des aiguilles d'une montre jusqu'au bout (environ 1 tour et 3/4). Il peut s'avérer nécessaire d'immobiliser l'extérieur du piston de vanne à l'aide d'une pince pour l'empêcher de tourner lors de l'ajustement de la vis.
  - Pour convertir le réglage LO de propane (LP) à gaz naturel, tournez la vis dans le sens inverse des aiguilles d'une montre sur environ 1 tour et 3/4.

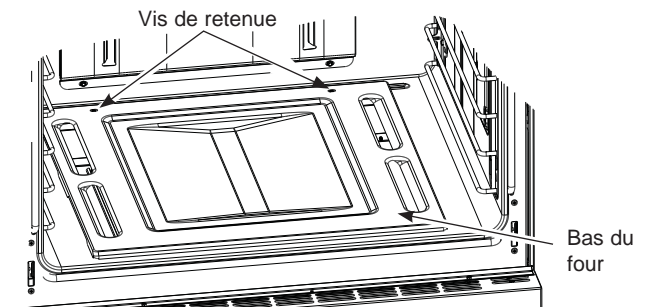


### CONVERTIR L'ORIFICE DU BRÛLEUR DE CUISSON AU FOUR PRINCIPAL

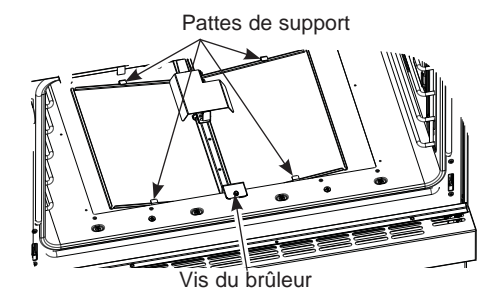
Repérez l'orifice du brûleur de cuisson au four d'une longueur de 3/4 po.

Sélectionnez la taille d'orifice appropriée pour votre gaz et votre brûleur d'après le tableau de conversion.

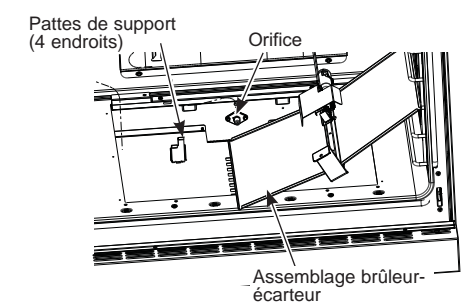
- A. Retirez la porte du four et mettez-la de côté dans un lieu sûr. Reportez-vous aux instructions d'installation.
- B. Retirez les 2 vis de retenue du bas du four depuis l'arrière du couvercle.



- C. Glissez le bas du four vers l'avant et le mettez de côté.
- D. Retirez la vis du brûleur.



- E. Soulevez le devant du brûleur légèrement, glissez-le vers l'avant et mettez-le de côté (veillez à ne pas endommager l'allumeur).
- F. Utilisez une douille profonde de 1/2 po pour retirer et replacer l'orifice.
- G. Réglez l'obturateur d'air selon le tableau.



- H. Inversez l'ordre de ces étapes pour réinstaller le brûleur du four et les autres pièces. Assurez-vous de replacer l'écarteur à l'intérieur des 4 pattes de support. Placez l'orifice inutilisé dans le porte-orifice pour une utilisation éventuelle dans le futur.

**INSTRUCTIONS POUR LA CONVERSION AU PROPANE**  
31-2000797 Rev. 5 06-21 GEA  
ZGP304, ZGP366, ZGP364, ZGP486,  
ZDP304, ZDP366, ZDP364, ZDP486, ZDP484



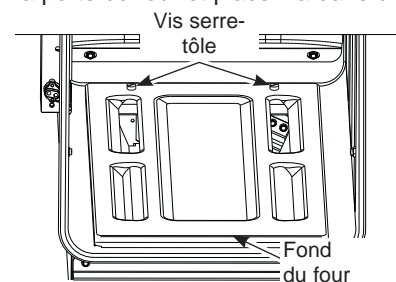
## CONVERTIR L'ORIFICE DU BRÛLEUR DE CUISSON GAUCHE (modèles 48 po seulement)

Repérez l'orifice de 19 mm (3/4 po) de long du brûleur de cuisson du four.

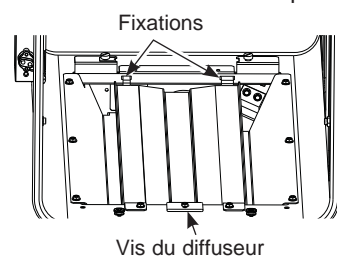
Choisissez la dimension d'orifice adéquate selon votre type de gaz et de brûleur au diagramme de conversion.

A. Repérez l'orifice de 19 mm (3/4 po) de long du brûleur de cuisson du four.

B. Retirez la porte du four et placez-la dans un endroit sûr.



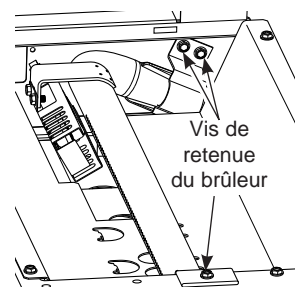
C. Glissez le fond du four vers l'avant puis déposez-le tout près.



D. Retirez la vis du diffuseur de brûleur.

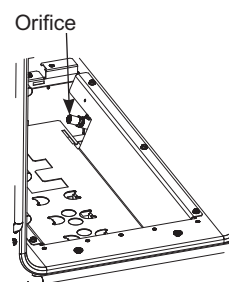
E. Soulevez légèrement la partie frontale du diffuseur du brûleur et glissez-le vers l'avant pour déclencher les fixations arrière. Mettez le diffuseur de côté.

F. Retirez les trois vis de retenue du brûleur (1 à l'avant et deux à l'arrière).



G. Soulevez légèrement la partie frontale du brûleur et glissez-le vers la gauche pour le retirer.

H. Utilisez une douille profonde de 12,7 mm (1/2 po) pour retirer et replacer l'orifice.

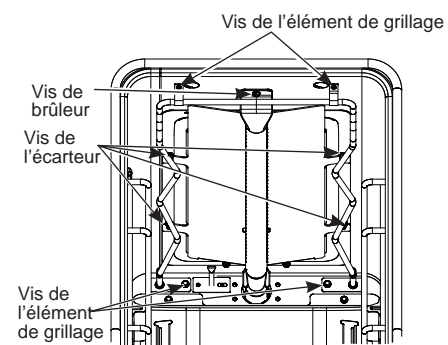


I. Inversez l'ordre de ces étapes pour réassembler le brûleur du four et les autres pièces. Placez l'orifice inutilisé dans le support pour une utilisation future.

## CONVERTIR L'ORIFICE DU BRÛLEUR DE GRILLAGE GAUCHE (modèles 48 po seulement)

A. Retirez la porte du four et mettez-la de côté dans un lieu sûr.

B. Retirez les 4 vis de l'élément électrique.



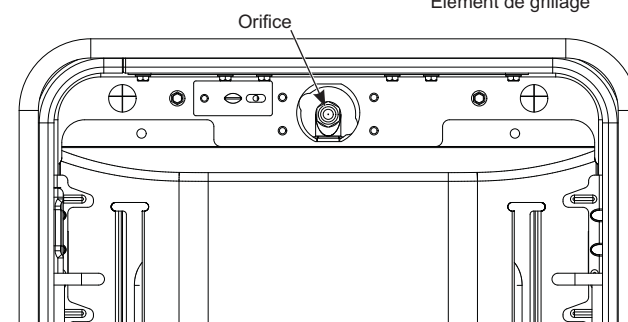
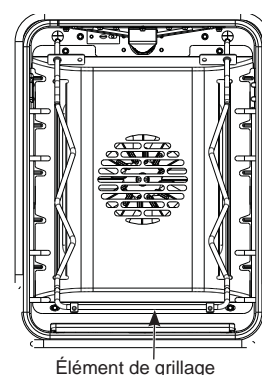
C. Tirez les éléments électriques vers l'extérieur jusqu'à ce que les connecteurs atteignent le trou (ne débranchez pas ces connecteurs) et placez avec soin les éléments sur le plancher du four.

D. Retirez les 4 vis de l'écarteur (voyez la photo 1).

E. Retirez la vis de brûleur et mettez le système de grillage de côté avec précaution (voyez la photo 1).

F. Utilisez une douille de 1/2 po pour desserrer, retirer et replacer l'orifice de grillage.

G. Réglez l'obturateur d'air selon le tableau.



H. Inversez l'ordre de ces étapes pour réinstaller le brûleur de grillage et l'élément électrique. Placez l'orifice inutilisé dans le porte-orifice pour une utilisation éventuelle dans le futur.

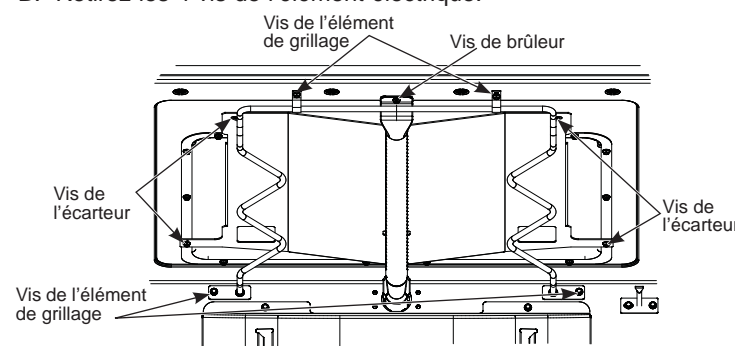
## CONVERTIR L'ORIFICE DU BRÛLEUR DE GRILLAGE

Repérez l'orifice du brûleur de grillage.

Sélectionnez la taille d'orifice appropriée pour votre gaz et votre brûleur d'après le tableau de conversion.

A. Retirez la porte du four et mettez-la de côté dans un lieu sûr.

B. Retirez les 4 vis de l'élément électrique.



C. Tirez les éléments électriques vers l'extérieur jusqu'à ce que les connecteurs atteignent le trou (ne débranchez pas ces connecteurs.) Baissez avec soin le bord avant de l'élément jusqu'au plancher du four.

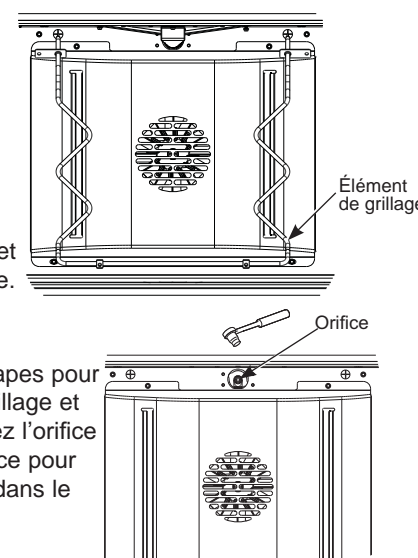
D. Retirez les 3 vis de l'écarteur.

E. Retirez la vis du brûleur et mettez le système de grillage de côté avec précaution.

F. Utilisez une douille de 1/2 po pour desserrer, retirer et replacer l'orifice de grillage.

G. Réglez l'obturateur d'air selon le tableau.

H. Inversez l'ordre de ces étapes pour réinstaller le brûleur de grillage et l'élément électrique. Placez l'orifice inutilisé dans le porte-orifice pour une utilisation éventuelle dans le futur.



## RÉGLAGE DE L'OBTURATEUR D'AIR POUR LES BRÛLEURS DU FOUR

Les obturateurs d'air doivent être tournés jusqu'à l'inscription NG (gaz naturel), ou propane, ou réglez-les selon le tableau suivant.

BRÛLEUR	Réglage de l'obturateur d'air pour le propane	Réglage de l'obturateur d'air pour le gaz naturel (NG)
Bake	0.430"	0.355"
Broil	0.470"	0.470"

OVEN	BRÛLEUR	Réglage de l'obturateur d'air pour le propane	Réglage de l'obturateur d'air pour le gaz naturel (NG)
Four gauche (ZGP486 seulement)	Bake	0.540"	0.250"
	Broil	0.410"	0.355"
Four droit (ZGP486 seulement)	Bake	0.430"	0.355"
	Broil	0.470"	0.470"

- Avec un tournevis à pointe cruciforme, desserrez les vis qui fixent l'obturateur d'air sur le brûleur de cuisson au four. Réglez l'obturateur d'air à la dimension indiquée dans le tableau ci-dessus.
- Rétablissez l'alimentation du gaz.
- Rétablissez l'alimentation électrique.
- Réinstallez la porte du four.
- Allumez le brûleur de cuisson au four.

**Les flammes du brûleur du four doivent être observées avec la porte fermée afin de vérifier correctement leurs caractéristiques.**

- Tandis que vous observez les flammes avec la porte fermée, vérifiez les caractéristiques suivantes par la fenêtre de la portes du four.
  - Pour le gaz naturel, si les flammes sont jaunes, ouvrez l'obturateur d'air davantage.
  - Si les flammes sont soufflées, flottent au-dessus du brûleur ou émettent un sifflement, fermez l'obturateur d'air légèrement.

7. Fermez le brûleur de cuisson au four et répétez la manœuvre avec le brûleur de grillage.

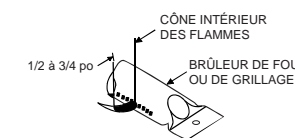
### ⚠ AVERTISSEMENT

Si vous tentez de mesurer le cône intérieur des flammes, usez de prudence car vous pourriez vous brûler.

8 Vérification de la taille des flammes :

Elle doit être d'une longueur d'environ 1/2 à 3/4 po pour les brûleurs de cuisson au four et de grillage.

La qualité de la combustion des flammes des brûleurs doit être déterminée visuellement.



**REMARQUE : Si les flammes ressemblent à (A), un réglage supplémentaire de l'obturateur d'air du brûleur de cuisson au four est requis. Des flammes normales doivent ressembler à (B) ou (C), selon le type de gaz utilisé. Avec le gaz propane, il est normal d'observer une certaine quantité de jaune au bout des flammes dans les cônes extérieurs.**



(A) Flammes jaunes : Réglage supplémentaire requis



(B) Bouts jaunes dans les cônes extérieurs : Normal pour le propane



(C) Flammes d'un bleu doux : Normal pour le gaz naturel

Des particules étrangères dans la conduite de gaz peuvent générer une flamme orange au début, laquelle devrait disparaître sous peu.

- Lorsque tous les réglages sont faits et les résultats sont satisfaisants :
  - Resserrez les vis des obturateurs d'air.
  - Remplacez le bas du four.

**INSTRUCTIONS POUR LA CONVERSION AU PROPANE**

31-2000797 Rev. 5 06-21 GEA  
ZGP304, ZGP366, ZGP364, ZGP486,  
ZDP304, ZDP366, ZDP364, ZDP486, ZDP484

## VÉRIFICATION DES BRÛLEURS DE SURFACE

Poussez et tournez un bouton à la position LITE (allumage). Un son de clic signale le bon fonctionnement du système d'allumage. L'allumage de n'importe quel brûleur génère des étincelles à tous les brûleurs mais le gaz débouchera seulement de celui qui est sélectionné. Une fois l'air purgé de la conduite d'alimentation, le brûleur devrait s'allumer en moins de 4 secondes. Une fois le brûleur allumé, tournez le bouton hors de la position LITE. Faites l'essai de chaque brûleur successivement jusqu'à ce qu'ils soient tous vérifiés.

### Qualité des flammes

Déterminez la qualité des flammes visuellement. Des flammes de brûleur normales doivent ressembler à (A) ou (B).



(A) Flammes bleu clair— Normal pour le gaz naturel

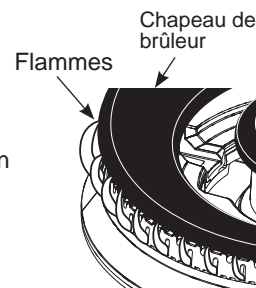


(B) Pointes jaunes sur les cônes extérieurs— Normal pour le gaz propane

Des flammes vives et longues ne sont pas normales. Des flammes normales peuvent présenter des signes d'une teinte orange lorsqu'elles sont bien chauffées ou des signes d'un vacillement orange en raison de particules dans le gaz ou l'air.

3. Les flammes de l'ANNEAU EXTÉRIEUR doivent être réglées de façon qu'elles se replient à peine au-dessus du bord supérieur du chapeau de brûleur, comme illustré.

4. Si la flamme apparaît trop faible ou instable, tournez lentement la vis de dérivation dans le sens contraire des aiguilles jusqu'à obtenir une flamme stable sur chaque brûleur. N'oubliez pas, l'autre brûleur doit être à la position MED.



5. Remplacez le bouton et tournez-le à la position LO.

6. Retirez le bouton ET la vis du biseau du côté droit comme illustré.

7. Les flammes de l'ANNEAU INTÉRIEUR doivent être réglées en insérant un petit tournevis à lame plate dans le trou de la vis du biseau et tournant dans le sens des aiguilles la vis de réglage de la dérivation avec le bouton à la position LO. Repérez la vis dans le trou à l'aide d'une lampe torche si nécessaire.

8. Si la flamme apparaît trop faible ou instable, tournez lentement la vis de dérivation dans le sens contraire des aiguilles jusqu'à obtenir une flamme stable sur chaque brûleur. N'oubliez pas, l'autre brûleur doit être à la position MED. Lors du réglage, assurez-vous que la flamme basse touche à l'allumeur et que la tête du brûleur est correctement mise à la terre, sinon le module d'allumage continuera de tenter de rallumer la flamme.

9. Réinstallez la vis du biseau du côté droit. Ne serrez pas excessivement. Remplacez le bouton.

C. Brûleurs à double flammes superposées – Flammes supérieures

1. Tournez le bouton jusqu'au réglage MED.

2. Retirez le bouton.

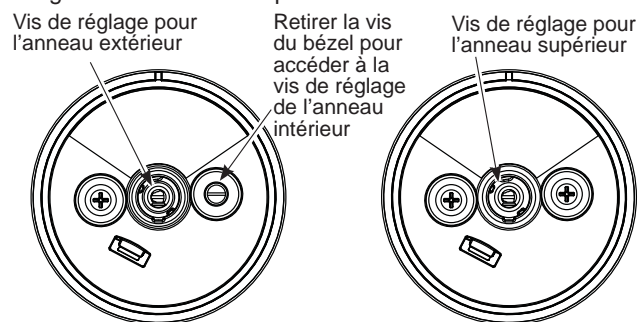
3. Les flammes de l'anneau supérieur doivent être réglées avec le bouton à MED en ajustant la vis de réglage dans le centre de la tige de valve. Tenez la tige extérieure tandis que vous vissez la vis intérieure. Les flammes doivent être réglées de façon qu'elles se replient à peine au-dessus du bord supérieur du chapeau de brûleur.

4. Remplacez le bouton.

D. Ouvrez aussi rapidement la porte du four tout en observant les flammes. Si les flammes sont éteintes, continuez d'ajuster la vis de réglage pour obtenir une flamme plus importante. Répétez les ouvertures de porte jusqu'à obtenir une flamme stable.

### REMARQUE SPÉCIALE :

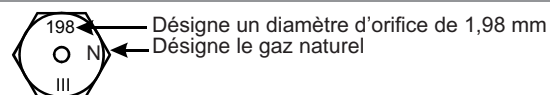
Pour rétro-convertir le four au gaz naturel, inversez les instructions fournies pour les réglages du propane. Conservez ces orifices pour une éventuelle rétro-conversion au gaz naturel.



Vis de réglage pour le brûleur à plusieurs anneaux seulement

Vis de réglage pour l'anneau supérieur du brûleur à double flammes superposées seulement (pas de réglage de l'anneau inférieur)

## RENSEIGNEMENTS SUPPLÉMENTAIRES



Désigne un diamètre d'orifice de 1,98 mm  
Désigne le gaz naturel

ZGP304  
ZDP304

PUISSANCE CALORIFIQUE DES BRÛLEURS : BTU/H			
Gaz naturel (NG) 5 po de colonne d'eau			
BRÛLEUR	TAUX BTU	DIAM. ORIFICE	MARQUAGE
LF	21,000		
Mijotage		0.82 mm	82SN
Principal 2X		1.38 mm	138XN
RF	15,000		
Mijotage		0.51 mm	51SN
Principal		1.68 mm	168N
LR, RR	15,000		
Mijotage		0.51 mm	51SN
Principal		1.68 mm	168N
Grillage (ZGP304 seulement)	18,000	0.074"	74N
Cuisson four (ZGP304 seulement)	23,500	0.085"	85N

ZGP366  
ZDP366

PUISSANCE CALORIFIQUE DES BRÛLEURS : BTU/H			
Gaz naturel (NG) 5 po de colonne d'eau			
BRÛLEUR	TAUX BTU	DIAM. ORIFICE	MARQUAGE
LF, RF	23,000		
Mijotage		0.82 mm	82SN
Principal 2X		1.46 mm	146XN
CF, CR	15,000		
Mijotage		0.51 mm	51SN
Principal		1.68 mm	168N
LR, RR	18,000		
Mijotage		0.51 mm	51SN
Principal		1.86 mm	186N
Grillage (ZGP366 seulement)	18,000	0.074"	74N
Cuisson four (ZGP366 seulement)	23,500	0.085"	85N

ZDP364

PUISSANCE CALORIFIQUE DES BRÛLEURS : BTU/H			
Gaz naturel (NG) 5 po de colonne d'eau			
BRÛLEUR	TAUX BTU	DIAM. ORIFICE	MARQUAGE
LF	23,000		
Mijotage		0.82 mm	82SN
Principal 2X		1.46 mm	146XN
RF	21,000		
Mijotage		0.82 mm	82SN
Principal 2X		1.52 mm	152N
LR, RR	15,000		
Mijotage		0.51 mm	51SN
Principal		1.68 mm	168N
Plaque chauffante	18,000	0.076"	076

ZGP486  
ZDP486

PUISSANCE CALORIFIQUE DES BRÛLEURS : BTU/H			
Gaz naturel (NG) 5 po de colonne d'eau			
BRÛLEUR	TAUX BTU	DIAM. ORIFICE	MARQUAGE
LF, RF	23,000		
Mijotage		0.82 mm	82SN
Principal 2X		1.46 mm	146XN
CF, CR	15,000		
Mijotage		0.51 mm	51SN
Principal 2X		1.68 mm	168N
LR, RR	18,000		
Mijotage		0.51 mm	51SN
Principal 2X		1.86 mm	186N
Plaque chauffante	18,000	0.076"	076
Four gauche (ZGP486 seulement)	Grillage	11,000	0.057"
	Cuisson four	10,500	0.056"
Four droit (ZGP486 seulement)	Grillage	18,000	0.074"
	Cuisson four	23,500	0.085"

ZDP484

PUISSANCE CALORIFIQUE DES BRÛLEURS : BTU/H			
Gaz naturel (NG) 5 po de colonne d'eau			
BRÛLEUR	TAUX BTU	DIAM. ORIFICE	MARQUAGE
LF	23,000		
Mijotage		0.82 mm	82SN
Principal 2X		1.46 mm	146XN
RF	21,000		
Mijotage		0.82 mm	82SN
Principal 2X		1.52 mm	152XN
LR, RR	15,000		
Mijotage		0.51 mm	51SN
Principal		1.68 mm	168N
Plaque chauffante	18,000	0.076"	076
Gril	14,000	0.069"	069

ZGP364

PUISSANCE CALORIFIQUE DES BRÛLEURS : BTU/H			
Gaz naturel (NG) 5 po de colonne d'eau			
BRÛLEUR	TAUX BTU	DIAM. ORIFICE	MARQUAGE
LF, RF	23,000		
Mijotage		0.82 mm	82SN
Principal 2X		1.46 mm	146XN
LR, RR	15,000		
Mijotage		0.51 mm	51SN
Principal		1.68 mm	168N
Plaque chauffante	18,000	0.076"	076
Grillage	18,000	0.074"	74N
Cuisson four	23,500	0.085"	85N

## INSTRUCTIONS POUR LA CONVERSION AU PROPANE

31-2000797 Rev. 5 06-21 GEA  
ZGP304, ZGP366, ZGP364, ZGP486,  
ZDP304, ZDP366, ZDP364, ZDP486, ZDP484



# INSTRUCCIONES DE CONVERSIÓN A PROPANO (LP)

## ⚠ ADVERTENCIA Riesgo de Explosión

Se podrá producir la muerte o daños graves como resultado de no seguir estas instrucciones.

- Servicio técnico por parte de un técnico calificado del servicio únicamente
- Cierre el suministro de gas y desconecte la corriente antes de realizar el servicio técnico.
- Vuelva a conectar todos los dispositivos de conexión a tierra luego de realizar el servicio técnico.
- Vuelva a colocar todas las piezas y paneles antes del uso.

Los orificios del regulador de presión y del quemador están configurados para gas natural. Para usar gas propano, los orificios del regulador y del quemador deberán ser convertidos. Este producto no se podrá convertir a propano ajustando los orificios del horno. Se deberá reemplazar los orificios para propano.

## ⚠ ADVERTENCIA

No utilice la superficie de cocción ni los quemadores del horno de esta cocina al usar gas propano (embotellado) antes de convertir los orificios del regulador de presión y del quemador para uso con gas propano. Si no se cumple con esto, se podrán producir llamas altas y humos tóxicos que podrán producir lesiones graves.

Los orificios de propano para los quemadores de la superficie de cocción se envían en la parte trasera de la cocina, en la ubicación mostrada.

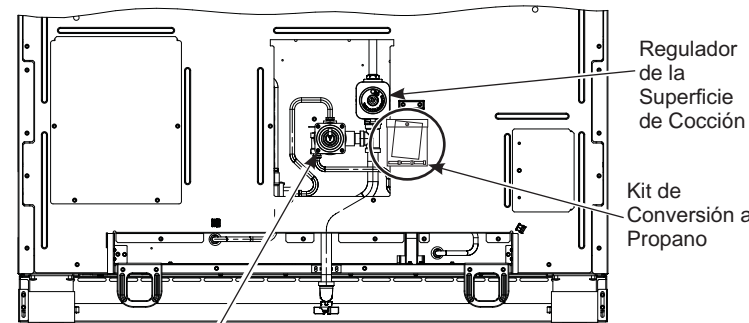
## HERRAMIENTAS REQUERIDAS:

- Llave ajustable
- Llave de tubo con tubo de 1/2" y extensión
- Destornillador de cabeza Phillips
- Destornillador de cabeza plana (cabeza plana de aproximadamente 3/32" de ancho)
- Llaves de tuercas: 1/4", 9/32" o 7mm
- Llave abierta de 7mm
- Destornillador T-15
- Destornillador con cabeza plana grande

A fin de ajustar su cocina para uso con gas propano, siga estas instrucciones:

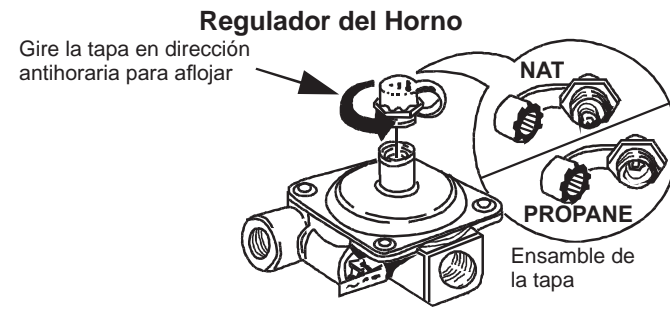
1. Desconecte todas las fuentes eléctricas del disyuntor principal o de la caja de fusibles.
2. Corte el suministro de gas de la cocina, cerrando la válvula manual.

## CONVERSIÓN DEL REGULADOR DE PRESIÓN



Regulador del Horno

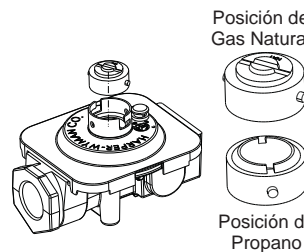
Si se detecta gas en el regulador, use un detector de pérdidas de líquido para verificar la ubicación.



1. Use una llave ajustable para desenroscar la tapa con tuerca hexagonal del regulador de presión.
2. Retire completamente la tapa de plástico protectora de la tapa de metal roscada.
3. Gire la tapa metálica de modo que el tipo de gas al cual se está convirtiendo sea exhibido y vuelva a colocar la tapa plástica protectora.
4. Vuelva a enroscar la tapa con tuerca hexagonal en el regulador. **(No ajuste en exceso).**

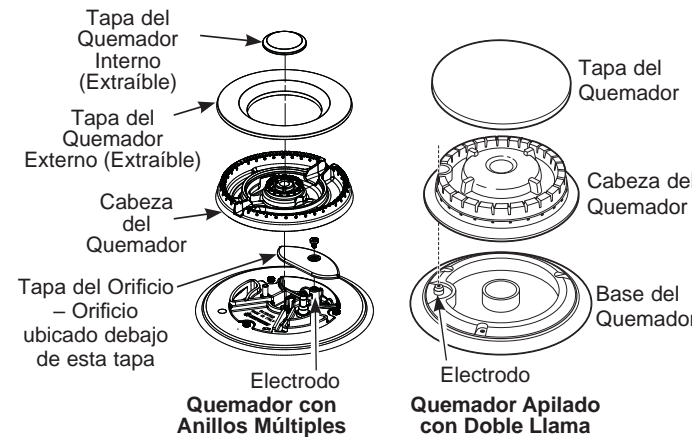
## Regulador de la Superficie de Cocción

1. Use un destornillador de punta plana para retirar la tapa del regulador de presión.
2. Gire la tapa de latón para gas propano y vuelva a instalar la misma en el regulador.



## CONVERSIÓN DE LOS QUEMADORES DE LA SUPERFICIE DE COCCIÓN

- A. Retire las parrillas superiores, las tapas y las cabezas de los quemadores.

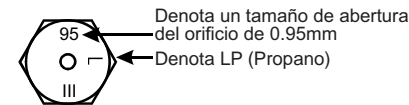


- B. Use un destornillador de 7mm o 9/32" para el quemador con anillo múltiple y redondo, o con una llave abierta de 7mm o 9/32" (sólo para el quemador espiralado) para retirar los orificios del quemador superior. Se podrá acceder a los mismos a través de la abertura del quemador de la base. Para acceder al orificio del quemador espiralado se deberá retirar la tapa del orificio usando un destornillador T-15.

## AVISO:

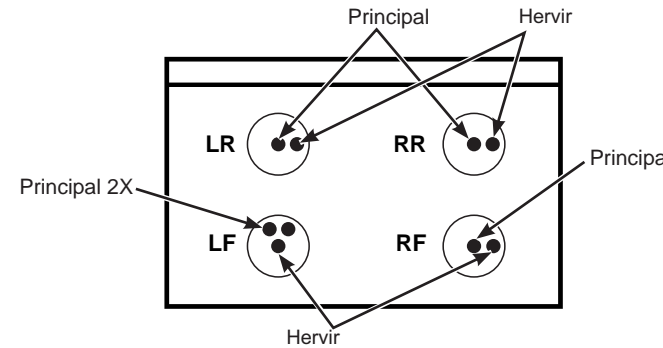
Guarde estos orificios para una futura reconversión a gas natural.

- C. Retire los orificios de propano de la bolsa provista.



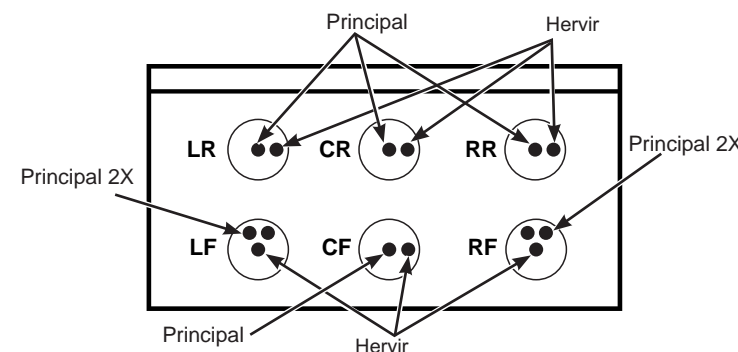
ZGP304  
ZDP304

CALIFICACIONES DE POTENCIA DE LOS QUEMADORES: BTU/HR			
Gas Propano de 10" W.C.P. (Columnas de Presión de Agua)			
QUEMADOR	ÍNDICE DE BTU	TAMAÑO DEL ORIFICIO	CALIFICACIÓN
LF	21,000		
Hervir		0.52 mm	52SL
Principal 2X		0.88 mm	88XL
RF	15,000		
Hervir		0.34 mm	34SL
Principal		1.08 mm	108L
LR, RR	12,000		
Hervir		0.34 mm	34SL
Principal		0.95 mm	95XL
Asar (ZGP304 únicamente)	18,000	0.048"	48L
Hornear (ZGP304 únicamente)	21,500	0.053"	53L



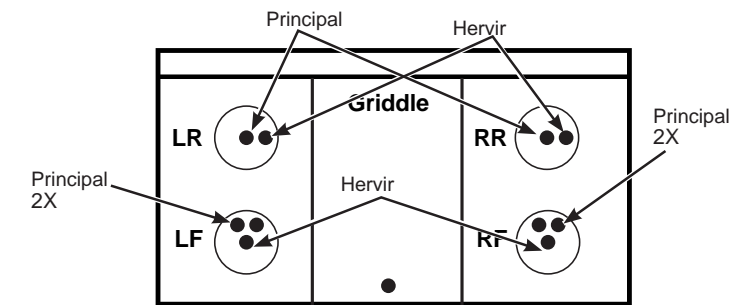
ZGP366  
ZDP366

CALIFICACIONES DE POTENCIA DE LOS QUEMADORES: BTU/HR			
Gas Propano de 10" W.C.P. (Columnas de Presión de Agua)			
QUEMADOR	ÍNDICE DE BTU	TAMAÑO DEL ORIFICIO	CALIFICACIÓN
LF, RF	21,000		
Hervir		0.52 mm	52SL
Principal 2X		0.88 mm	88XL
CF, CR	10,000		
Hervir		0.34 mm	34SL
Principal		0.88 mm	88XL
LR, RR	15,000		
Hervir		0.34 mm	34SL
Principal		1.08 mm	108L
Asar (ZGP366 únicamente)	18,000	0.048"	48L
Hornear (ZGP366 únicamente)	21,500	0.053"	53L



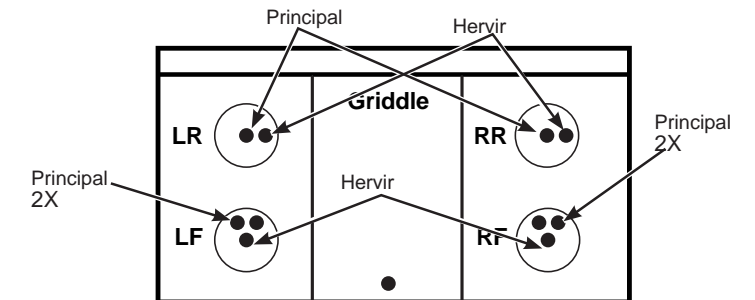
ZDP364

CALIFICACIONES DE POTENCIA DE LOS QUEMADORES: BTU/HR			
Gas Propano de 10" W.C.P. (Columnas de Presión de Agua)			
QUEMADOR	ÍNDICE DE BTU	TAMAÑO DEL ORIFICIO	CALIFICACIÓN
LF, RF	21,000		
Hervir		0.52 mm	52SL
Principal 2X		0.88 mm	88XL
LR, RR	12,000		
Hervir		0.34 mm	34SL
Principal		0.95 mm	95XL
Plancha	16,000	0.047"	047



ZGP364

CALIFICACIONES DE POTENCIA DE LOS QUEMADORES: BTU/HR			
Gas Propano de 10" W.C.P. (Columnas de Presión de Agua)			
QUEMADOR	ÍNDICE DE BTU	TAMAÑO DEL ORIFICIO	CALIFICACIÓN
LF, RF	21,000		
Hervir		0.52 mm	52SL
Principal 2X		0.88 mm	88XL
LR, RR	12,000		
Hervir		0.34 mm	34SL
Principal		0.95 mm	95XL
Plancha	16,000	0.047"	047
Asar	18,000	0.048"	48L
Hornear	21,500	0.053"	53L

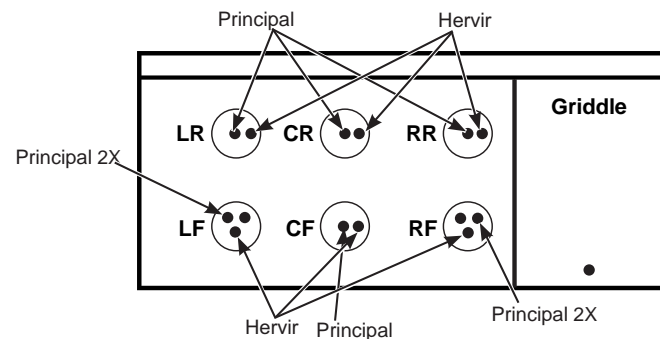


## INSTRUCCIONES DE CONVERSIÓN A PROPANO

31-2000797 Rev. 5 06-21 GEA  
ZGP304, ZGP366, ZGP364, ZGP486,  
ZDP304, ZDP366, ZDP364, ZDP486, ZDP484

ZGP486  
ZDP486

CALIFICACIONES DE POTENCIA DE LOS QUEMADORES: BTU/HR			
Gas Propano de 10" W.C.P. (Columnas de Presión de Agua)			
QUEMADOR	ÍNDICE DE BTU	TAMAÑO DEL ORIFICIO	CALIFICACIÓN
LF, RF	21,000		
Hervir		0.52 mm	52SL
Principal 2X		0.88 mm	88XL
CF, CR	10,000		
Hervir		0.34 mm	34SL
Principal		0.88 mm	88XL
LR, RR	15,000		
Hervir		0.34 mm	34SL
Principal		1.08 mm	108L
Plancha	16,000	0.047"	047
Horno Izquierdo (ZGP486 únicamente)	Asar	11,000	0.038"
	Hornear	10,000	0.037"
Horno Derecho (ZGP486 únicamente)	Asar	18,000	0.048"
	Hornear	21,500	0.053"



D. Instale los orificios de propano en sus ubicaciones precisas.

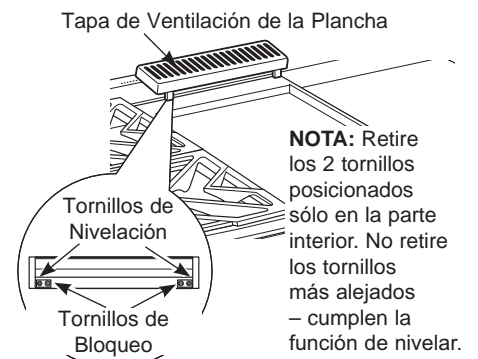
A fin de evitar pérdidas, asegúrese de que las espitas de los orificios estén atornilladas manualmente y de manera firme en las tuberías de suministro de gas. Es necesario volver a instalar la tapa del orificio.

E. Instale las espitas de los orificios antiguos en la bolsa junto con estas instrucciones, y vuelva a colocarlas en la parte trasera de la cocina en caso de una posible conversión en el futuro.

### CONVIERTA EL ORIFICIO DE LA PLANCHA

Ubique el orificio de la rejilla de 3/4" de longitud. Seleccione el tamaño de orificio apropiado para su quemador a gas en el cuadro de conversión.

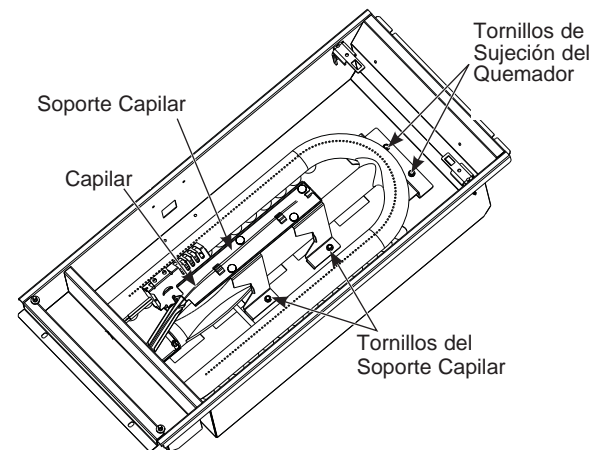
A. Levante la tapa del tubo de la plancha. Retire los 2 tornillos con abrazaderas interiores.



B. Levante la canaleta para grasa de hierro fundido. Deslice la plancha hacia atrás y afuera de las lengüetas de sujeción a lo largo de la parte inferior para su retiro.

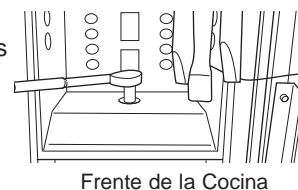
C. Retire los 4 tornillos del soporte capilar y deje el mismo a un costado.

D. Retire los 2 tornillos de sujeción en la parte trasera del quemador. Quite el quemador empujando hacia atrás y afuera de la entrada de gas.



E. Use la ficha de cubo de 1/2" para retirar y volver a colocar el orificio.

Realice los pasos a la inversa para volver a ensamblar la plancha. Vuelva a colocar el capilar excesivo nuevamente en el orificio de entrada. Coloque el orificio no utilizado en el soporte para posibles usos futuros.



### CONVIERTA EL ORIFICIO DE LA REJILLA

Ubique el orificio de la Rejilla de 3/4" de longitud. Seleccione el tamaño de orificio apropiado para su quemador a gas en el cuadro de conversión.

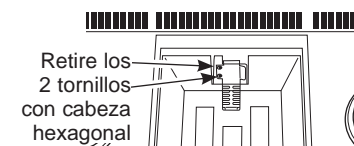
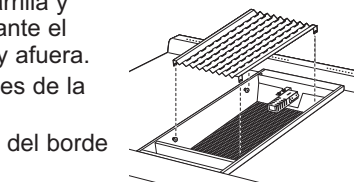
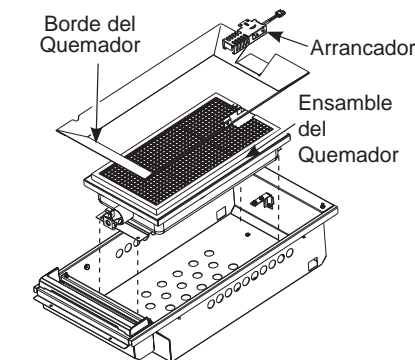
A. Retire la tapa de la rejilla, la parrilla y la estructura de la parrilla. Levante el deflector radiante hacia arriba y afuera.

B. Retire los 2 tornillos hexagonales de la parte superior del arrancador.

■ Retire un tornillo a cada lado del borde del quemador.

■ Lift out the surround.

C. Con cuidado empuje el arrancador hacia un costado y debajo del quemador.



No empuje ni pellizque el cable. Retire los 4 tornillos del quemador y la adherencia, 2 del frente y 2 de la parte trasera. Deslice el ensamblaje del quemador empujando hacia atrás y afuera de la entrada de gas.

D. Use la ficha de cubo larga de 1/2" para retirar y volver a colocar el orificio.

Invierta estos pasos para volver a ensamblar la rejilla. Coloque el orificio no utilizado en el soporte para posibles usos futuros.

E. Ajuste la Configuración de la Parrilla en "LO" (Bajo)

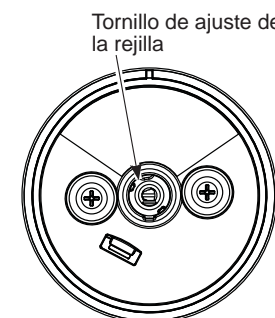
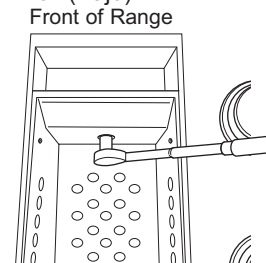
■ Asegúrese de que la conexión de gas y electricidad a la unidad estén cerradas.

■ Gire la perilla de la rejilla a LO (Bajo) y retire la perilla empujando hacia afuera.

■ Inserte un destornillador pequeño de punta plana en el agujero en el centro del vástago de la válvula para colocar el tornillo correspondiente.

■ Para convertir la configuración LO (Bajo) de gas natural a gas propano (LP), gire el tornillo en dirección horaria hasta que se detenga (aproximadamente 1 3/4 de giro). Es posible que sea necesario tomar la parte exterior del vástago de la válvula con un par de pinzas, a fin de evitar que el vástago de la válvula rote a medida que el tornillo es ajustado.

■ Para convertir la configuración LO (Bajo) de gas propano (LP) a gas natural, gire el tornillo en dirección antihoraria aproximadamente 1 3/4 de giro.

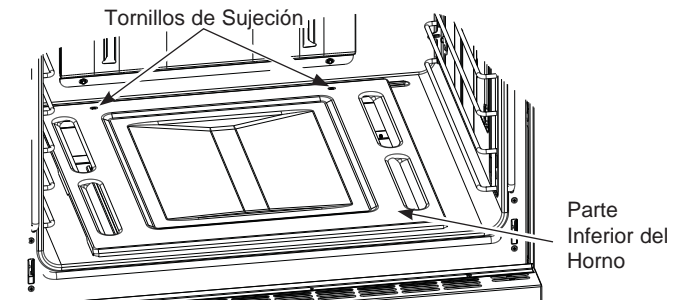


### CONVIERTA EL ORIFICIO DEL QUEMADOR PARA HORNEAR PRINCIPAL

Ubique el orificio del quemador para hornear de 3/4" de longitud. Seleccione el tamaño de orificio apropiado para su quemador a gas en el cuadro de conversión.

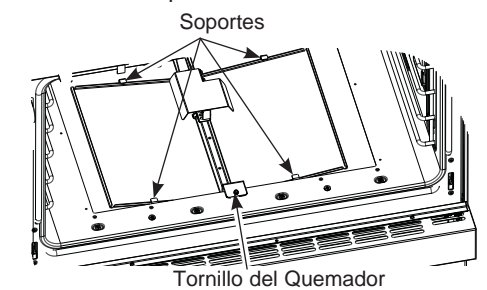
A. Retire la puerta del horno y deje la misma a un costado en una ubicación segura. Consulte las Instrucciones de Instalación.

B. Retire los 2 tornillos de sujeción inferior del horno desde la parte trasera de la tapa.



C. Deslice la parte inferior del horno hacia adelante y deje la misma a un costado.

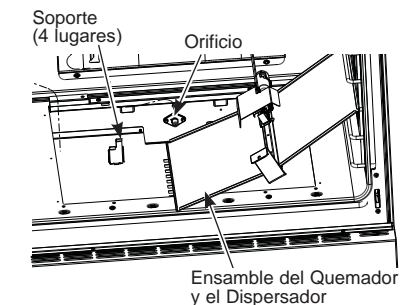
D. Retire el tornillo del quemador.



E. Levante el frente del quemador levemente y deslice hacia adelante dejando el mismo a un costado (con cuidado de no dañar el arrancador).

F. Use la ficha de cubo de 1/2" para retirar y volver a colocar el orificio.

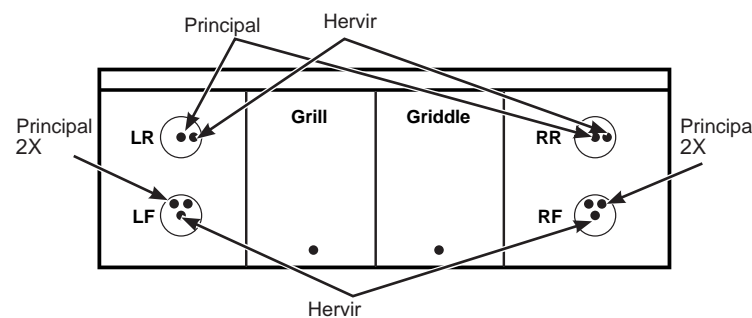
G. Ajuste la configuración del obturador de acuerdo con el cuadro.



H. Invierta estos pasos para volver a ensamblar las piezas del quemador y del horno. Asegúrese de volver a colocar el dispersador dentro de las 4 lengüetas del soporte. Coloque el orificio no utilizado en el soporte para posibles usos futuros.

ZDP484

CALIFICACIONES DE POTENCIA DE LOS QUEMADORES: BTU/HR			
Gas Propano de 10" W.C.P. (Columnas de Presión de Agua)			
QUEMADOR	ÍNDICE DE BTU	TAMAÑO DEL ORIFICIO	CALIFICACIÓN
LF, RF	21,000		
Hervir		0.52 mm	52SL
Principal 2X		0.88 mm	88XL
LR, RR	12,000		
Hervir		0.34 mm	34SL
Principal		0.95 mm	95XL
Plancha	16,000	0.047"	047
Rejilla	14,000	0.043"	043 yo punto verde



### INSTRUCCIONES DE CONVERSIÓN A PROPANO

31-2000797 Rev. 5 06-21 GEA

ZGP304, ZGP366, ZGP364, ZGP486,

ZDP304, ZDP366, ZDP364, ZDP486, ZDP484

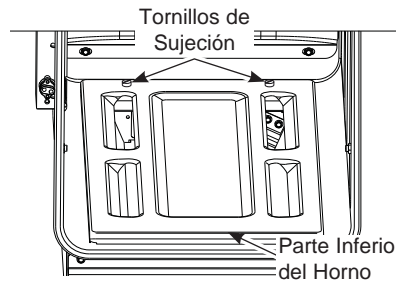


## CONVIERTA EL ORIFICIO DEL QUEMADOR PARA HORNEAR (sólo en modelos de 48")

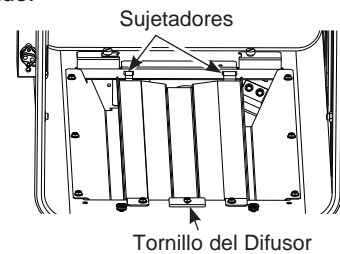
Ubique el orificio del quemador para hornear de  $\frac{3}{4}$ " de longitud.

Seleccione el tamaño de orificio apropiado para su quemador a gas en el cuadro de conversión.

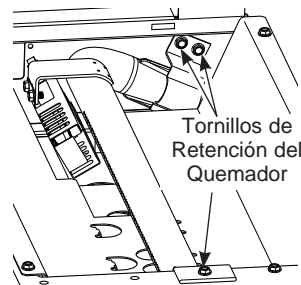
- Retire la puerta del horno y deje la misma a un costado en una ubicación segura.
- Retire los 2 tornillos de sujeción inferior del horno desde la parte trasera de la tapa.



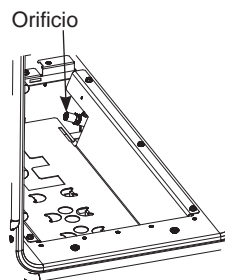
- Deslice la parte inferior del horno hacia adelante y deje la misma a un costado.



- Retire el tornillo del difusor del quemador.
- Levante el frente del difusor del quemador levemente y deslice el mismo hacia adelante para retirar los ganchos en la parte trasera. Deje el difusor del quemador a un costado.



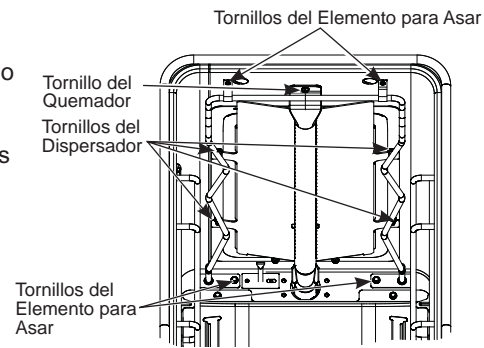
- Retire los 3 tornillos de retención (1 del frente y 2 de la parte trasera)
- Levante el frente del quemador levemente y deslice el mismo en dirección izquierda para su retiro.
- Use la ficha de cubo de  $\frac{1}{2}$ " para retirar y volver a colocar el orificio.



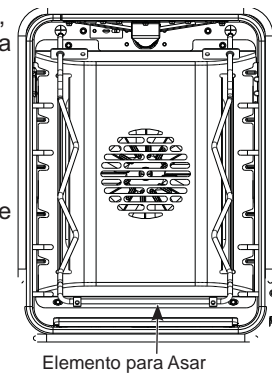
- Invierta estos pasos para volver a ensamblar las piezas del quemador y del horno. Coloque el orificio no utilizado en el soporte para posibles usos futuros.

## CONVIERTA EL ORIFICIO DEL QUEMADOR PARA ASAR (sólo en modelos de 48")

- Retire la puerta del horno y deje la misma a un costado en una ubicación segura.
- Retire los 4 tornillos del Elemento Eléctrico.



- Empuje los elementos eléctricos hacia afuera hasta que las terminales alcancen el agujero (no desconecte las terminales) y con cuidado coloque el elemento sobre el piso del horno.
- Retire los 4 Tornillos del Dispersador (consulte la imagen 1).
- Retire el tornillo del Quemador y luego, de forma cuidadosa, coloque el sistema para asar a un costado (consulte la imagen 1).
- Use una llave de tubo de  $\frac{1}{2}$ " para aflojar, retirar y volver a colocar el orificio para asar.
- Ajuste la configuración del obturador de acuerdo con el cuadro.

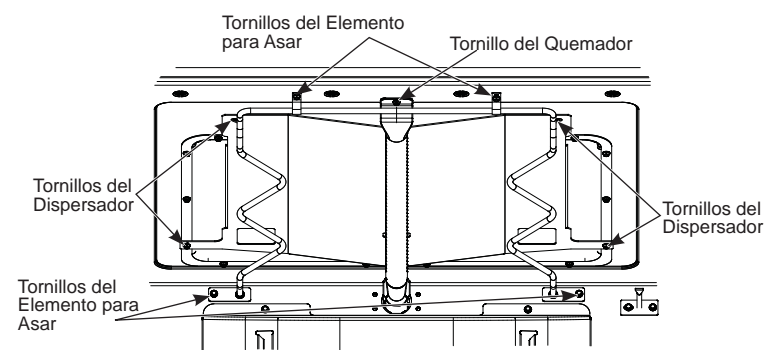


- Invierta los pasos para volver a ensamblar el quemador para asar y el elemento eléctrico. Coloque el orificio no utilizado en el soporte para posibles usos futuros.

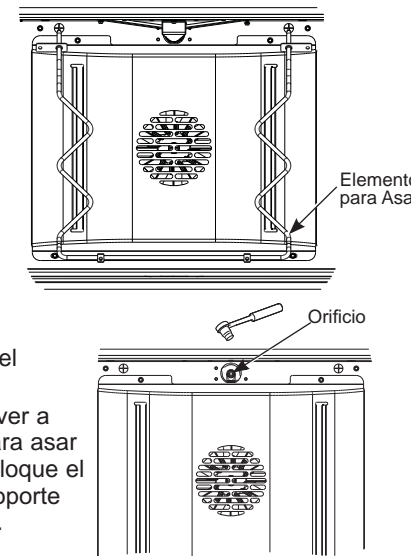
## CONVIERTA EL ORIFICIO DEL QUEMADOR PARA ASAR

Ubique el orificio del quemador para asar. Seleccione el tamaño de orificio apropiado para su quemador a gas en el cuadro de conversión.

- Retire la puerta del horno y deje la misma a un costado en una ubicación segura.
- Retire los 4 tornillos del Elemento Eléctrico.



- Empuje los elementos eléctricos hacia afuera hasta que las terminales alcancen el agujero (no desconecte las terminales). Con cuidado, baje el extremo frontal del elemento hasta el piso del horno.
- Retire los 4 Tornillos del Dispersador.
- Retire el tornillo del quemador y luego, de forma cuidadosa, coloque el sistema para asar a un costado.
- Use una llave de tubo de  $\frac{1}{2}$ " para aflojar, retirar y volver a colocar el orificio para asar.
- Ajuste la configuración del obturador de acuerdo con el cuadro.
- Invierta los pasos para volver a ensamblar el quemador para asar y el elemento eléctrico. Coloque el orificio no utilizado en el soporte para posibles usos futuros.



## AJUSTE DE LAS CONFIGURACIONES DEL OBTURADOR DE AIRE PARA QUEMADORES DE HORNO

Los obturadores de aire se deberán girar hasta las configuraciones con las marcas de gas NG (Natural) o propano o configurar de acuerdo con la siguiente tabla.

QUEMADOR	CONFIGURAR EL OBTURADOR DE AIRE PARA PROPANO	CONFIGURAR EL OBTURADOR DE AIRE PARA GAS NG (NATURAL)
Hornear	0.430"	0.355"
Asar	0.470"	0.470"

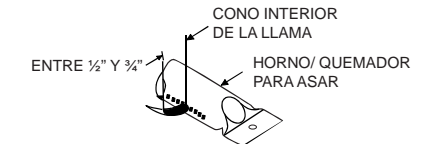
HORNO	QUEMADOR	CONFIGURAR EL OBTURADOR DE AIRE PARA PROPANO	CONFIGURAR EL OBTURADOR DE AIRE PARA GAS NG (NATURAL)
Horno Izquierdo (ZGP486 únicamente)	Hornear	0.540"	0.250"
	Asar	0.410"	0.355"
Horno Derecho (ZGP486 únicamente)	Hornear	0.430"	0.355"
	Asar	0.470"	0.470"

- Con un destornillador de cabeza Phillips, afloje los tornillos asegurando el obturador de aire del quemador para hornear. Ajuste el obturador de aire hasta la dimensión dada en la tabla anterior.
  - Abra la llave de gas.
  - Encienda la electricidad.
  - Vuelva a instalar la puerta del horno.
  - Encienda el quemador para hornear.
- La llama del quemador del horno se deberá observar con la puerta cerrada, a fin de controlar sus características de forma apropiada.**
- Al observar la llama a través de la puerta del horno cerrada, controle lo siguiente a través de la ventana de la puerta del horno.
    - Para Gas Natural, si las llamas son amarillas, abra más el obturador de aire.
    - Si las llamas soplan o se agitan desde el quemador o producen un silbido, cierre un poco el obturador de aire.

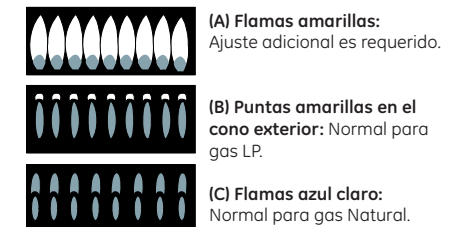
- Apague el quemador para hornear y repita esto con el quemador para asar.

**ADVERTENCIA** Si intenta medir el cono interno de la llama, por favor tenga cuidado: se pueden producir quemaduras.

- Control del tamaño de la llama: Deberá ser de una longitud aproximada de  $\frac{1}{2}$ " a  $\frac{3}{4}$ " para los quemadores para hornear y asar. La calidad de la combustión de las llamas del quemador se deberá determinar visualmente.



**NOTA: Si las llamas del quemador se ven como (A), será necesario un mayor ajuste del obturador de aire del quemador para hornear. El aspecto de la llama normal se ve como en (B) o (C), dependiendo del tipo de gas que use. Con gas propano, es normal que haya algunas puntas amarillas en los conos exteriores.**



Partículas extrañas en la línea de gas pueden ocasionar una llama anaranjada primero, pero esto desaparecerá enseguida.

- Una vez realizados todos los ajustes y habiendo obtenido resultados satisfactorios:
  - Vuelva a ajustar los tornillos del obturador de aire.
  - Vuelva a colocar el piso del horno.

**INSTRUCCIONES DE CONVERSIÓN A PROPANO**  
 31-2000797 Rev. 5 06-21 GEA  
 ZGP304, ZGP366, ZGP364, ZGP486,  
 ZDP304, ZDP366, ZDP364, ZDP486, ZDP484

## CONTROLE LAS CABEZAS DE LOS QUEMADORES

Presione y gire una perilla hasta la posición LITE (Luz). Un sonido de clic indica el correcto funcionamiento del sistema de encendido. Al iluminar cualquier quemador, se producirán chispas en todos los quemadores pero sólo saldrá gas del que fue seleccionado. Una vez que el aire se haya purgado de la tubería de suministro, el quemador se deberá encender dentro de los 4 segundos. Luego de que el quemador se encienda, gire la perilla fuera de la posición LITE (Luz). Pruebe cada quemador de forma sucesiva hasta que todos los quemadores hayan sido controlados.

### Calidad de las Llamas

Determine la calidad de las llamas de forma visual. Las llamas normales de los quemadores se deberán ver como (A) o (B).



(A) Llamas azul suave – Normal para gas natural



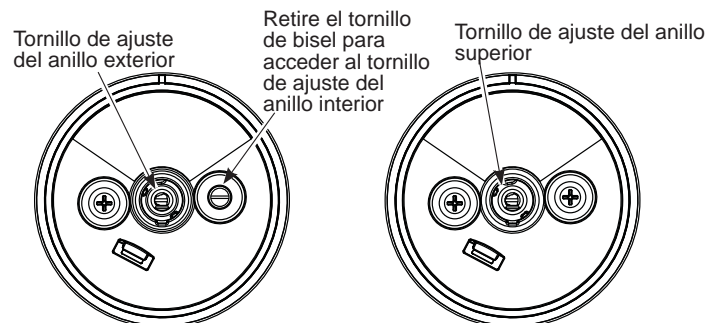
(B) Puntas amarillas en conos externos – Normal para gas propano

Las llamas largas de color amarillo brillante no son normales. Las llamas normales podrán mostrar signos de un tinte anaranjado cuando estén bien quemadas, o signos de anaranjado parpadeante debido a las partículas del gas o en el aire.

## AJUSTE LA CONFIGURACIÓN DE LLAMA BAJA EN QUEMADORES DE LA SUPERFICIE DE COCCIÓN

Los ajustes en configuraciones bajas se deben realizar con otros quemadores funcionando en una configuración media. Este procedimiento evita que la llama baja se configure demasiado baja, haciendo que la llama se extinga cuando otros quemadores están encendidos.

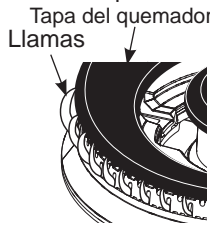
- Encienda los quemadores de la superficie en una configuración media.
- Quemadores de Anillos Múltiples – Anillo Exterior y Anillo Interior
  - Gire la perilla a la configuración MED (Media).
  - Retire la perilla e inserte un destornillador de punta plana pequeño en el eje de la válvula y gire en dirección horaria para ajustar el tornillo del bypass. Sostenga el eje exterior mientras gira el tornillo interior.



Tornillo de ajuste del quemador de anillos múltiples únicamente

Tornillo de ajuste del anillo superior del quemador apilado de llama doble para llama únicamente (sin ajuste del anillo inferior)

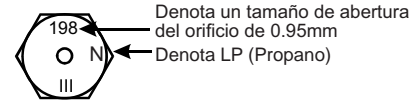
- Las llamas del ANILLO EXTERIOR se deberán ajustar de modo que apenas se ondee sobre el extremo superior de la tapa del quemador, como se muestra.
  - Si la llama se ve demasiado baja o inestable, lentamente gire el tornillo del bypass en dirección antihoraria, hasta que haya una llama estable en cada quemador. Recuerde que se deberá girar otro quemador a MED (Media).
  - Vuelva a colocar la perilla y gire la misma hasta la posición LO (Baja).
  - Retire la perilla Y el tornillo de bisel del lado derecho como se muestra.
  - Las llamas del ANILLO INTERIOR se deberán ajustar insertando un destornillador de punta plana pequeño en el agujero del tornillo de bisel y girando en dirección horaria, a fin de ajustar el tornillo del bypass con la perilla en la configuración LO (Baja). Ubique el tornillo a través del agujero con una linterna, de ser necesario.
  - Si la llama se ve demasiado baja o inestable, lentamente gire el tornillo del bypass en dirección antihoraria, hasta que haya una llama estable en cada quemador. Recuerde que otro quemador se deberá girar hasta MED (Media). Al realizar el ajuste, asegúrese de que la llama baja esté teniendo contacto con el arrancador y que la cabeza del quemador esté correctamente apoyada o que el módulo de la llama continúe intentando encender la llama.
  - Vuelva a instalar el tornillo de bisel del lado derecho. No ajuste en exceso. Vuelva a colocar la perilla.
- C. Quemadores Apilados con Llama Doble – Llamas Superiores
- Gire la perilla a la configuración MED (Media).
  - Retire la perilla.
  - El anillo de llamas superior se deberá ajustar con la perilla en la configuración MED (Media), calibrando el tornillo de ajuste en el eje de la válvula central. Sostenga el eje exterior mientras gira el tornillo interior. Las llamas se deberán ajustar de modo que apenas se ondeen sobre el extremo superior de la tapa del quemador.
  - Vuelva a colocar la perilla.
- D. De forma adicional, abra rápidamente la puerta del horno mientras observa la llama. Si la llama se extingue, continúe calibrando el tornillo de ajuste para generar una llama más grande. Repita la apertura de puertas hasta que la llama sea estable.



### NOTA ESPECIAL:

A fin de volver a convertir el horno a gas natural, invierta las instrucciones brindadas al realizar los ajustes para gas propano. Guarde estos orificios para una futura reconversión a gas natural.

## INFORMACIÓN ADICIONAL



ZGP304  
ZDP304

CALIFICACIONES DE POTENCIA DE LOS QUEMADORES: BTU/HR			
Gas NG (Natural), 5" W.C.P. (Presión de Columna de Agua)			
QUEMADOR	ÍNDICE DE BTU	TAMAÑO DEL ORIFICIO	CALIFICACIÓN
LF	21,000		
Hervir		0.82 mm	82SN
Principal 2X		1.38 mm	138XN
RF	15,000		
Hervir		0.51 mm	51SN
Principal		1.68 mm	168N
LR, RR	15,000		
Hervir		0.51 mm	51SN
Principal		1.68 mm	168N
Asar (ZGP304 únicamente)	18,000	0.074"	74N
Hornear (ZGP304 únicamente)	23,500	0.085"	85N

ZGP366  
ZDP366

CALIFICACIONES DE POTENCIA DE LOS QUEMADORES: BTU/HR			
Gas NG (Natural), 5" W.C.P. (Presión de Columna de Agua)			
QUEMADOR	ÍNDICE DE BTU	TAMAÑO DEL ORIFICIO	CALIFICACIÓN
LF, RF	23,000		
Hervir		0.82 mm	82SN
Principal 2X		1.46 mm	146XN
CF, CR	15,000		
Hervir		0.51 mm	51SN
Principal		1.68 mm	168N
LR, RR	18,000		
Hervir		0.51 mm	51SN
Principal		1.86 mm	186N
Asar (ZGP366 únicamente)	18,000	0.074"	74N
Hornear (ZGP366 únicamente)	23,500	0.085"	85N

ZDP364

CALIFICACIONES DE POTENCIA DE LOS QUEMADORES: BTU/HR			
Gas NG (Natural), 5" W.C.P. (Presión de Columna de Agua)			
QUEMADOR	ÍNDICE DE BTU	TAMAÑO DEL ORIFICIO	CALIFICACIÓN
LF	23,000		
Hervir		0.82 mm	82SN
Principal 2X		1.46 mm	146XN
RF	21,000		
Hervir		0.82 mm	82SN
Principal 2X		1.52 mm	152N
LR, RR	15,000		
Hervir		0.51 mm	51SN
Principal		1.68 mm	168N
Plancha	18,000	0.076"	076

ZGP486  
ZDP486

CALIFICACIONES DE POTENCIA DE LOS QUEMADORES: BTU/HR				
Gas NG (Natural), 5" W.C.P. (Presión de Columna de Agua)				
QUEMADOR	ÍNDICE DE BTU	TAMAÑO DEL ORIFICIO	CALIFICACIÓN	
LF, RF	23,000			
Hervir		0.82 mm	82SN	
Principal 2X		1.46 mm	146XN	
CF, CR	15,000			
Hervir		0.51 mm	51SN	
Principal 2X		1.68 mm	168N	
LR, RR	18,000			
Hervir		0.51 mm	51SN	
Principal 2X		1.86 mm	186N	
Plancha	18,000	0.076"	076	
Horno Izquierdo (ZGP486 únicamente)	Asar	11,000	0.057"	57N
	Hornear	10,500	0.056"	56N
Horno Derecho (ZGP486 únicamente)	Asar	18,000	0.074"	74N
	Hornear	23,500	0.085"	85N

ZDP484

CALIFICACIONES DE POTENCIA DE LOS QUEMADORES: BTU/HR			
Gas NG (Natural), 5" W.C.P. (Presión de Columna de Agua)			
QUEMADOR	ÍNDICE DE BTU	TAMAÑO DEL ORIFICIO	CALIFICACIÓN
LF	23,000		
Hervir		0.82 mm	82SN
Principal 2X		1.46 mm	146XN
RF	21,000		
Hervir		0.82 mm	82SN
Principal 2X		1.52 mm	152XN
LR, RR	15,000		
Hervir		0.51 mm	51SN
Principal		1.68 mm	168N
Plancha	18,000	0.076"	076
Rejilla	14,000	0.069"	069

ZGP364

CALIFICACIONES DE POTENCIA DE LOS QUEMADORES: BTU/HR			
Gas NG (Natural), 5" W.C.P. (Presión de Columna de Agua)			
QUEMADOR	ÍNDICE DE BTU	TAMAÑO DEL ORIFICIO	CALIFICACIÓN
LF, RF	23,000		
Hervir		0.82 mm	82SN
Principal 2X		1.46 mm	146XN
LR, RR	15,000		
Hervir		0.51 mm	51SN
Principal		1.68 mm	168N
Plancha	18,000	0.076"	076
Asar	18,000	0.074"	74N
Hornear	23,500	0.085"	85N

### INSTRUCCIONES DE CONVERSIÓN A PROPANO

31-2000797 Rev. 5 06-21 GEA

ZGP304, ZGP366, ZGP364, ZGP486, ZDP304, ZDP366, ZDP364, ZDP486, ZDP484