

GE Monogram® 30" Built-In Electric Single Oven



Model# ZET938SMSS



- Electronic Glass Touch Controls - A gentle touch allows you to easily select the desired cooking function: convection bake or roast, variable or closed-door broiling, 24-hour delay bake, warm mode or proof mode
- Halogen Light Columns - On the oven walls provide brilliant task lighting for each rack position
- Self-Cleaning Oven Racks - Porcelain-coated racks are designed to be left in the oven during the self-clean cycle for effortless cleaning
- 4.4 Cu. Ft. Capacity - Accommodates even the largest meals
- True Hidden Bake Element - Concealed beneath the oven floor, allowing additional capacity and improved cleanability
- Reverse-Air Convection System - Uses an innovative fan that reverses direction for optimal air and heat circulation, providing even cooking and multi-rack baking capability
- Certified Sabbath Mode - Allows you to keep cooked foods warm on the Jewish Sabbath and Jewish holidays
- Signature Tubular Handles - Are smooth, sleek and easy to grasp
- Hand-Finished Edges - Reflect the meticulous quality and craftsmanship for which Monogram products are renowned
- Large Viewing Window - Allows you to view your culinary work in progress
- Standard GE Dimensions - Match the industry's

FEATURES

Configuration	Single
Control Type	Electronic Touch
Cooking System	True European, Reverse Air Convection
Cooking Technology	Convection
Hidden Bake Oven Interior	Yes
Oven Interior	Convection / Self-Clean
Oven Style	30" Single Oven
6-Pass Broil Element	Yes
8-Pass Bake Element	Yes
Certified Sabbath Mode	Yes
Convection Bake	Multi/Single Rack Bake
Convection Roast	Yes
Proof Mode	Yes
Thermal Bake / Thermal Roast	Yes
Warm Mode	Yes
Digipad Numeric Entry	Yes
Roasting Rack	Yes
24-Hr/12-Hr Time Display	Yes
Auto Oven Shut-Off with Override	Yes
Automatic Meat Thermometer	Yes
C° or F° Programmable	Yes
Control Lock Capability	Yes
Delay Bake Option With Warm Mode	Yes
Electronic Clock & Kitchen Timer	Yes
Embossed Rack Positions	7
Glass Touch Controls	Yes
Independent Cook/Clean Controls	Yes
Light Self Clean Mode	Yes
Oven Meat Probe	Yes
Oven Racks	3 Heavy-Duty Self-Clean
Temperature Display	Yes
Timed Cooking	Yes
Variable Broil	Yes
Variable Cleaning Time w/Delay Clean Option	Yes
Audible Preheat Signal	Yes
Interior Oven Light	Halogen (2)
Oven Light Pad	Yes
Broiler Pan and Grid	Yes
Under Cooktop Installation	Yes
Undercounter Installation	Yes

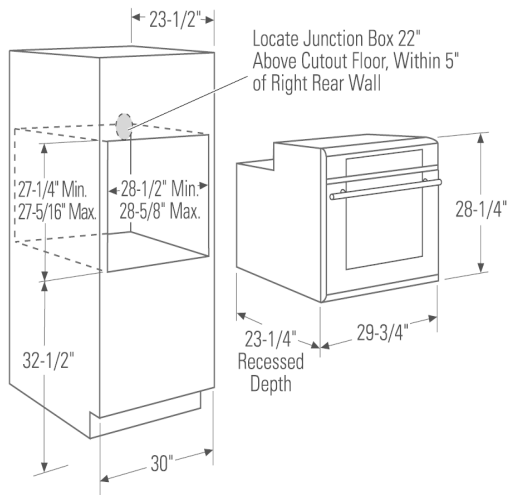
preferred cutout sizes for remarkably simple installation

To locate a GE Monogram dealer, call 1-800-626-2000

GE Monogram® 30" Built-In Electric Single Oven



Model# ZET938SMSS



FEATURES, continued

ADA Compliant	Yes
---------------	-----

APPROXIMATE DIMENSIONS (HxDxW)

- 28 1/4 in x 23 1/4 in x 29 3/4 in

CAPACITY

- Oven Capacity 4.4

WARRANTY

- Parts Warranty - Limited 1-year entire appliance
- Labor Warranty - Limited 1-year entire appliance
- Warranty Notes - For models produced on or after January 1, 2006

See written warranty for full details

To locate a GE Monogram dealer, call 1-800-626-2000