

GE Monogram® 30" Built-In Electronic Convection Double Wall Oven



Model# ZET2SMSS



- Electronic Dial Controls - As elegant as they are ergonomic
- Halogen Light Columns - On the oven walls provide brilliant task lighting for each rack position
- Exclusive Self-Cleaning, Full-Extension Oven Racks - Glide in and out smoothly on stainless steel ball bearings, and are designed to be left in the oven during the self-clean cycle
- 4.4 Cu. Ft. Capacity (Each Oven) - Accommodates even the largest meals
- True Hidden Bake Element - Concealed beneath the oven floor, allowing additional capacity and improved cleanability
- Reverse-Air Convection System - Uses an innovative fan that reverses direction for optimal air and heat circulation, providing even cooking and multi-rack baking capability
- Six-Element Design - Two bake, two broil and two convection elements provide precise cooking control, with fast preheating
- 208V Performance Compensation - Utilizes the six-element design to boost power in reduced-voltage installations
- Signature Tubular Handles - Are smooth, sleek and easy to grasp
- Hand-Finished Edges - Reflect the meticulous quality and craftsmanship for which Monogram products are renowned

FEATURES

| | |
|---|--|
| Configuration | Double |
| Control Type | Electronic Dial |
| Cooking System | True European, Reverse Air Convection |
| Cooking Technology | Convection |
| Hidden Bake Oven Interior | True Hidden Bake Element |
| Oven Interior | Self-Clean |
| Oven Interior - Lower | Self-Clean |
| Oven Interior - Upper | Self-Clean |
| Oven Style | 30" Double Oven |
| 8-Pass Bake Element | Dual Element |
| 8-Pass Broil Element | Dual Element |
| Broil | Dual and Standard |
| Certified Sabbath Mode | Yes |
| Convection Bake | Upper/Lower |
| Convection Broil | Upper/Lower |
| Convection Roast | Upper/Lower |
| Proof Mode | Upper/Lower |
| Thermal Bake / Thermal Roast | Upper/Lower |
| Warm Mode | Upper/Lower |
| 24-Hr/12-Hr Time Display | Yes |
| Auto Oven Shut-Off with Override | Yes |
| Automatic Meat Thermometer | Yes |
| Automatic Self-Clean Oven Door Lock | Yes |
| Control Lock Capability | Yes |
| Delay Bake Option | Yes |
| Electronic Clock & Kitchen Timer | Yes |
| Embossed Rack Positions | 5 Ladder Rack Support |
| Light Self Clean Mode | Upper/Lower |
| Oven Meat Probe | Yes |
| Oven Racks | 3 Heavy-Duty, Self-Clean, Full Extension (Upper/Lower) |
| Temperature Display | Digital |
| Timed Cooking | Yes |
| Variable Broil | Hi/Lo; Standard/Dual |
| Variable Cleaning Time w/Delay Clean Option | Yes |
| Audible Preheat Signal | Yes |
| Interior Oven Light | 2 Light Columns with 3 Bulbs Each (Upper/Lower) |
| Broiler Pan and Grid | Yes |
| Optional Closed Door Broiling | Upper/Lower |

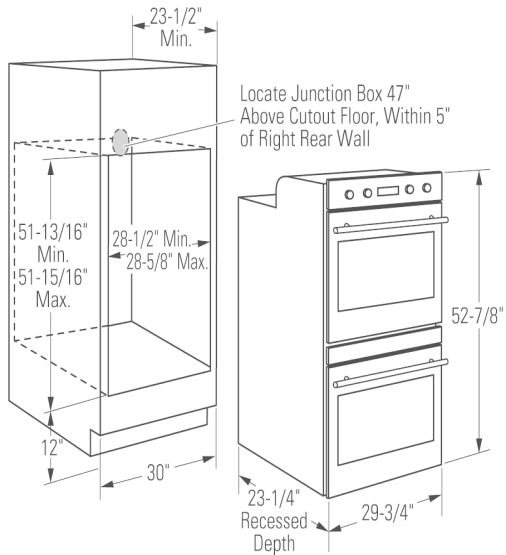
-
- Two Broil Elements with Reflector Shield - Offer intense, dual-zone broiling
 - Large Viewing Window - Allows you to view your culinary work in progress

To locate a GE Monogram dealer, call 1-800-626-2000

GE Monogram® 30" Built-In Electronic Convection Double Wall Oven



Model# ZET2SMSS



APPROXIMATE DIMENTIONS (HxDxW)

- 52 7/8 in x 23 1/4 in x 29 3/4 in

CAPACITY

- Capacity (Upper/Lower) (cu. ft.) 4.4 / 4.4
- Oven Capacity 4.4 Upper/4.4 Lower

WARRANTY

- Parts Warranty - Limited 1-year entire appliance
- Labor Warranty - Limited 1-year entire appliance
- Warranty Notes - For models produced on or after January 1, 2006

See written warranty for full details

To locate a GE Monogram dealer, call 1-800-626-2000