

# GE Monogram® 30" Double Wall Oven



Model# ZET2RMSS



- Electronic Touchscreen with Proximity Sensor - Provides easy, intuitive access to oven functions and options
- Halogen Light Columns - On the oven walls provide brilliant task lighting for each rack position
- Exclusive Self-Cleaning, Full-Extension Oven Racks - Glide in and out smoothly on stainless steel ball bearings, and are designed to be left in the oven during the self-clean cycle
- 4.4 Cu. Ft. Capacity (Each Oven) - Accommodates even the largest meals
- True Hidden Bake Element - Concealed beneath the oven floor, allowing additional capacity and improved cleanability
- Reverse-Air Convection System - Uses an innovative fan that reverses direction for optimal air and heat circulation, providing even cooking and multi-rack baking capability
- Six-Element Design - Two bake, two broil and two convection elements provide precise cooking control, with fast preheating
- 208V Performance Compensation - Utilizes the six-element design to boost power in reduced-voltage installations
- Signature Tubular Handles - Are smooth, sleek and easy to grasp
- Hand-Finished Edges - Reflect the meticulous quality and craftsmanship for which Monogram products are renowned

## FEATURES

Configuration	Double
Control Type	Electronic Touch LCD
Cooking System	True European, Reverse Air Convection
Cooking Technology	Convection
Hidden Bake Oven Interior	True Hidden Bake Element
Oven Interior	Self-Clean
Oven Interior - Lower	Convection / Self-Clean
Oven Interior - Upper	Convection / Self-Clean
Oven Style	30" Double Oven
8-Pass Bake Element	Dual Element
8-Pass Broil Element	Dual Element
Broil	Dual and Standard
Certified Sabbath Mode	Yes
Convection Bake	Upper/Lower
Convection Broil	Upper/Lower
Convection Roast	Upper/Lower
Proof Mode	Upper/Lower
Thermal Bake / Thermal Roast	Upper/Lower
Warm Mode	Upper/Lower
Roasting Rack	Yes
Help Mode	Yes
24-Hr/12-Hr Time Display	Yes
Auto Oven Shut-Off with Override	Yes
Automatic Meat Thermometer	Yes
Automatic Self-Clean Oven Door Lock	Yes
Control Lock Capability	Yes
Delay Bake Option	Yes
Electronic Clock & Kitchen Timer	Yes
Embossed Rack Positions	5 Ladder Rack Support
Glass Touch Controls	LCD with Proximity Sensor
Independent Cook/Clean Controls	Yes
Light Self Clean Mode	Upper/Lower
Oven Meat Probe	Yes
Oven Racks	3 Heavy-Duty, Self-Clean, Full Extension (Upper/Lower)
Temperature Display	Digital
Timed Cooking	Yes
Variable Broil	Hi/Lo; Standard/Dual
Variable Cleaning Time w/Delay Clean Option	Yes
Audible Preheat Signal	Yes
Interior Oven Light	2 Light Columns with 3 Bulbs Each (Upper/Lower)

- 
- Two Broil Elements with Reflector Shield - Offer intense, dual-zone broiling
  - Large Viewing Window - Allows you to view your culinary work in progress

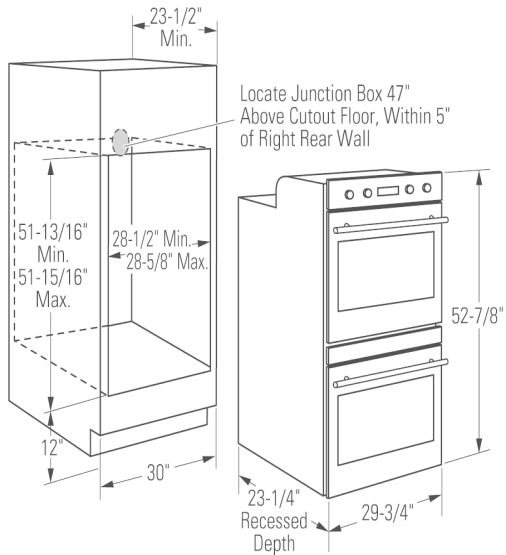
*To locate a GE Monogram dealer, call 1-800-626-2000*

---

# GE Monogram® 30" Double Wall Oven



Model# ZET2RMSS



## FEATURES, continued

Broiler Pan and Grid	Yes
Optional Closed Door Broiling	Upper/Lower

## APPROXIMATE DIMENSIONS (HxDxW)

- 52 7/8 in x 23 1/2 in x 29 3/4 in

## CAPACITY

- Oven Capacity 4.4 Upper/4.4 Lower
- Total Capacity (cubic feet) 8.80 cu ft

## WARRANTY

- Parts Warranty - Limited 1-year entire appliance
- Labor Warranty - Limited 1-year entire appliance
- Warranty Notes - For models produced on or after January 1, 2006

See written warranty for full details

To locate a GE Monogram dealer, call 1-800-626-2000