

# GE Monogram® 30" Built-In Electronic Convection Single Wall Oven



Model# ZET1SMSS



- Electronic Dial Controls - As elegant as they are ergonomic
- Halogen Light Columns - On the oven walls provide brilliant task lighting for each rack position
- Exclusive Self-Cleaning, Full-Extension Oven Racks - Glide in and out smoothly on stainless steel ball bearings, and are designed to be left in the oven during the self-clean cycle
- 4.4 Cu. Ft. Capacity - Accommodates even the largest meals
- True Hidden Bake Element - Concealed beneath the oven floor, allowing additional capacity and improved cleanability
- Reverse-Air Convection System - Uses an innovative fan that reverses direction for optimal air and heat circulation, providing even cooking and multi-rack baking capability
- Six-Element Design - Two bake, two broil and two convection elements provide precise cooking control, with fast preheating
- 208V Performance Compensation - Utilizes the six-element design to boost power in reduced-voltage installations
- Signature Tubular Handles - Are smooth, sleek and easy to grasp
- Hand-Finished Edges - Reflect the meticulous quality and craftsmanship for which Monogram products are renowned

## FEATURES

Configuration	Single
Control Type	Electronic Dial
Cooking System	True European, Reverse Air Convection
Cooking Technology	Convection
Hidden Bake Oven Interior	True
Oven Interior	Self-Clean
Oven Style	30" Single Oven
8-Pass Bake Element	Dual Element
8-Pass Broil Element	Dual Element
Broil	Dual and Standard
Certified Sabbath Mode	Yes
Convection Bake	Yes
Convection Broil	Yes
Convection Roast	Yes
Proof Mode	Yes
Thermal Bake / Thermal Roast	Yes
Warm Mode	Yes
24-Hr/12-Hr Time Display	Yes
Auto Oven Shut-Off with Override	Yes
Automatic Meat Thermometer	Yes
Automatic Self-Clean Oven Door Lock	Yes
Control Lock Capability	Yes
Delay Bake Option	Yes
Electronic Clock & Kitchen Timer	Yes
Embossed Rack Positions	5 Ladder Rack Support
Light Self Clean Mode	Yes
Oven Meat Probe	Yes
Oven Racks	3 Heavy-Duty, Self-Clean, Full Extension
Temperature Display	Digital
Timed Cooking	Yes
Variable Broil	Hi/Lo; Standard/Dual
Variable Cleaning Time w/Delay Clean Option	Yes
Audible Preheat Signal	Yes
Interior Oven Light	2 Light Columns with 3 Bulbs Each
Broiler Pan and Grid	Yes
Optional Closed Door Broiling	Yes
Side-by-Side Installation	Yes
Under Cooktop Installation	Yes
Undercounter Installation	Yes

- 
- Two Broil Elements with Reflector Shield - Offer intense, dual-zone broiling
  - Large Viewing Window - Allows you to view your culinary work in progress
  - Standard GE Dimensions - Match the industry's preferred cutout sizes for remarkably simple installation

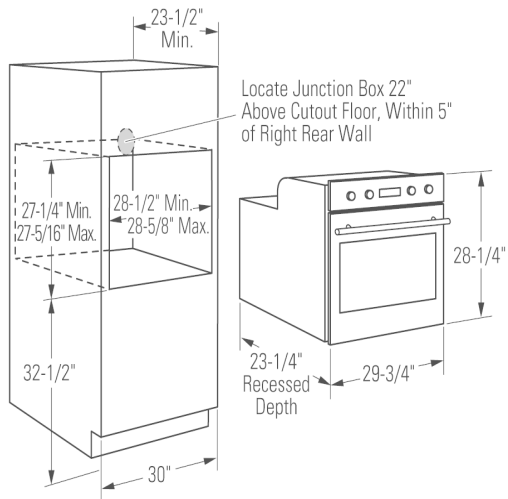
*To locate a GE Monogram dealer, call 1-800-626-2000*

---

# GE Monogram® 30" Built-In Electronic Convection Single Wall Oven



Model# ZET1SMSS



## APPROXIMATE DIMENSIONS (HxDxW)

- 28 1/4 in x 23 1/4 in x 29 3/4 in

## CAPACITY

- Oven Capacity 4.4
- Total Capacity (cubic feet) 4.40 cu ft

## WARRANTY

- Parts Warranty - Limited 1-year entire appliance
- Labor Warranty - Limited 1-year entire appliance
- Warranty Notes - For models produced on or after January 1, 2006

See written warranty for full details

To locate a GE Monogram dealer, call 1-800-626-2000