

GE Monogram® 30" Professional Electronic Convection Single Wall Oven



Model# ZET1PMSS



- Electronic Dial Controls - As elegant as they are ergonomic
- Halogen Light Columns - On the oven walls provide brilliant task lighting for each rack position
- Exclusive Self-Cleaning, Full-Extension Oven Racks - Glide in and out smoothly on stainless steel ball bearings, and are designed to be left in the oven during the self-clean cycle
- 4.4 Cu. Ft. Capacity - Accommodates even the largest meals
- True Hidden Bake Element - Concealed beneath the oven floor, allowing additional capacity and improved cleanability
- Reverse-Air Convection System - Uses an innovative fan that reverses direction for optimal air and heat circulation, providing even cooking and multi-rack baking capability
- Six-Element Design - Two bake, two broil and two convection elements provide precise cooking control, with fast preheating
- 208V Performance Compensation - Utilizes the six-element design to boost power in reduced-voltage installations
- Professional-Style Handles - Solid and substantial, reinforcing the overall look of sculptural sophistication
- Chamfered, Hand-Finished Edges - Give the premium-grade stainless steel door an added sense of depth and dimension

FEATURES

Configuration	Single
Control Type	Electronic Dial
Cooking System	True European, Reverse Air Convection
Cooking Technology	Convection
Hidden Bake Oven Interior	True
Oven Interior	Self-Clean
Oven Style	30" Single Oven
8-Pass Bake Element	Dual Element
8-Pass Broil Element	Dual Element
Broil	Dual and Standard
Certified Sabbath Mode	Yes
Convection Bake	Yes
Convection Broil	Yes
Convection Roast	Yes
Proof Mode	Yes
Thermal Bake / Thermal Roast	Yes
Warm Mode	Yes
24-Hr/12-Hr Time Display	Yes
Auto Oven Shut-Off with Override	Yes
Automatic Meat Thermometer	Yes
Automatic Self-Clean Oven Door Lock	Yes
Control Lock Capability	Yes
Delay Bake Option	Yes
Electronic Clock & Kitchen Timer	Yes
Embossed Rack Positions	5 Ladder Rack Support
Light Self Clean Mode	Yes
Oven Meat Probe	Yes
Oven Racks	3 Heavy-Duty, Self-Clean, Full Extension
Temperature Display	Digital
Timed Cooking	Yes
Variable Broil	Hi/Lo; Standard/Dual
Variable Cleaning Time w/Delay Clean Option	Yes
Audible Preheat Signal	Yes
Interior Oven Light	2 Light Columns with 3 Bulbs Each
Broiler Pan and Grid	Yes
Optional Closed Door Broiling	Yes
Side-by-Side Installation	Yes
Under Cooktop Installation	Yes
Undercounter Installation	Yes

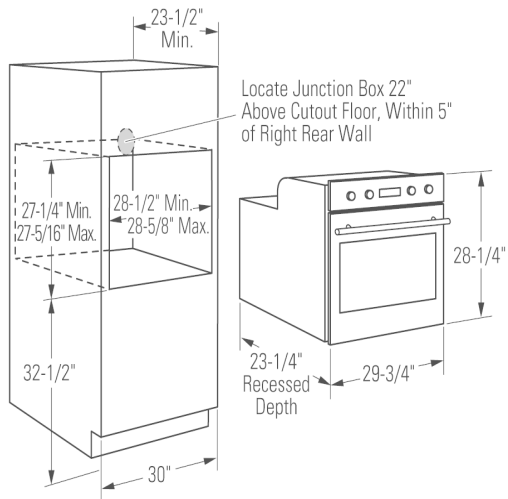
-
- Two Broil Elements with Reflector Shield - Offer intense, dual-zone broiling
 - Large Viewing Window - Allows you to view your culinary work in progress
 - Standard GE Dimensions - Match the industry's preferred cutout sizes for remarkably simple installation

To locate a GE Monogram dealer, call 1-800-626-2000

GE Monogram® 30" Professional Electronic Convection Single Wall Oven



Model# ZET1PMSS



APPROXIMATE DIMENSIONS (HxDxW)

- 28 1/4 in x 23 1/4 in x 29 3/4 in

CAPACITY

- Oven Capacity 4.4
- Total Capacity (cubic feet) 4.40 cu ft

WARRANTY

- Parts Warranty - Limited 1-year entire appliance
- Labor Warranty - Limited 1-year entire appliance
- Warranty Notes - For models produced on or after January 1, 2006

See written warranty for full details

To locate a GE Monogram dealer, call 1-800-626-2000