

Be a classic!

Brisas BMI wall

Modeled after the classic European design range hoods, Brisas BMI also performs like one. Its 600-cfm motor is at home over induction or gas ranges and its supersized 5-ply aluminum mesh filter can handle even the greasiest dish. Crowned with a clear, curved-glass canopy Brisas BMI is always in style.

FEATURES OF HIGH QUALITY

- Available in 30" and 36"
- Available with 600-cfm or 290-cfm internally installed motor
- Stainless steel 3-speed mechanical controls
- Sturdy stainless steel construction
- Durable, washable 5-ply aluminum mesh filters
- Optional recirculation kit
- Standard telescopic duct covers up to 9' ceilings
- Optional duct cover extensions for up to 12' ceilings
- Designed for 6-inch vertical ducted installations



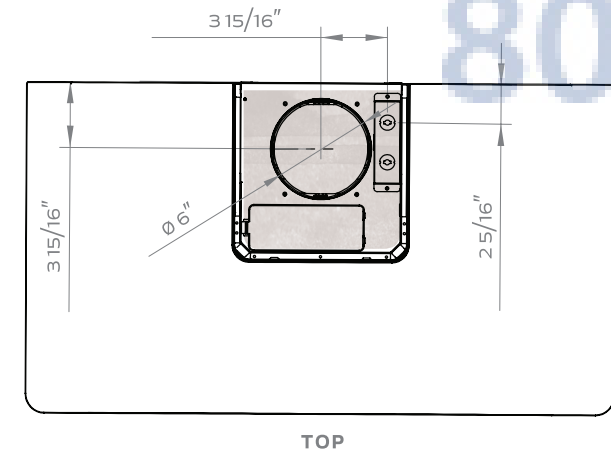
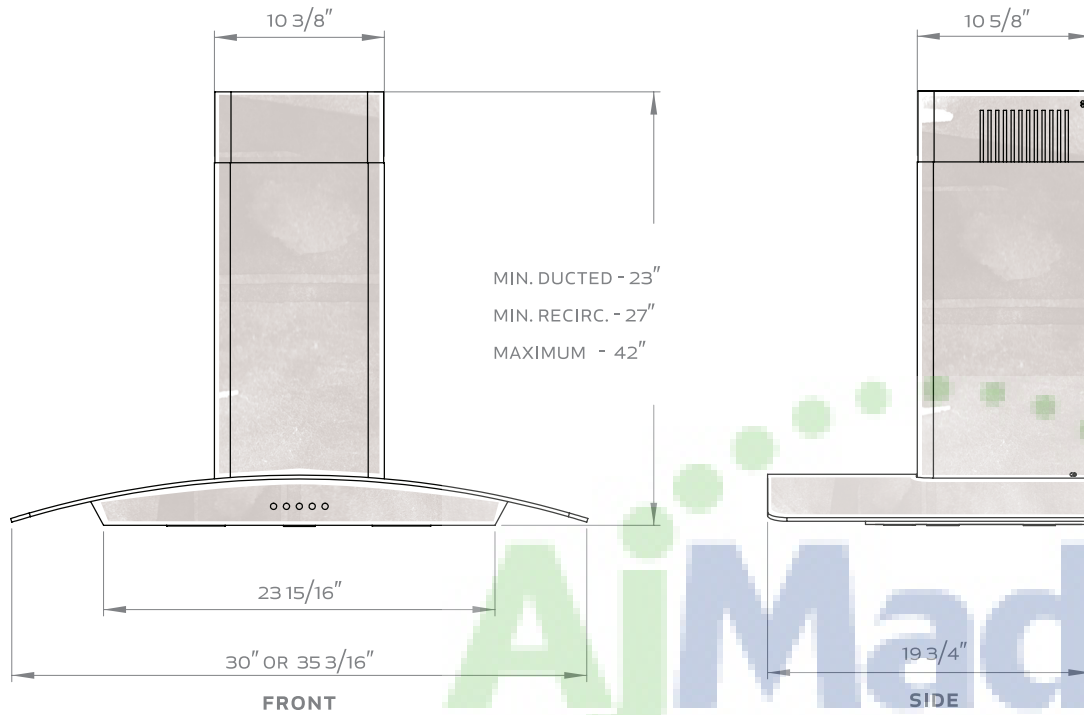
AjMadison
Your Appliance Authority™

800-570-3355



brisas

Brisas BMI wall



	BMI-E30BG / BMI-E30BG290	BMI-E36BG / BMI-E36BG290
SIZE	30"	36"
NET WIDTH	30"	35-3/16"
PERFORMANCE		
Blower CFM, Max.	600 / 290	600 / 290
Sones, Max.	6 / 2.8	6 / 2.8
COLOR		
Stainless Steel	SS + Glass	SS + Glass
FEATURES		
Controls	Mechanical Push Button	Mechanical Push Button
Speed Levels	3	3
Delay Off	No	No
Lighting	Halogen, 50W x2	Halogen, 50W x2
Dual Level Lighting	No	No
Filters	Aluminum Mesh	Aluminum Mesh
Recirculating Option	Yes	Yes
Extension Duct Cover Option	Yes, Up to 12' Ceiling	Yes, Up to 12' Ceiling
DUCT SPECIFICATIONS		
Internal Blower - Vertical	6" round	6" round
Internal Blower - Horizontal	NA	NA
AC INPUT		
	120V - 60Hz	120V - 60Hz
AC POWER		
	400W, 3.5A / 170W, 1.5A	400W, 3.5A / 170W, 1.5A
OPTIONAL ACCESSORIES		
Recirculating Kit	BRC-0005	BRC-0005
Extension Duct Cover	B1C-00MI	B1C-00MI
MOUNTING HEIGHT*		
	26" - 34"	26" - 34"

	CEILING HEIGHT								
	8'	8.5'	9'	9.5'	10'	10.5'	11'	12'	
STANDARD DUCT COVER									
Ducted Mounting Height*	26"-34"	26"-34"	30"-34"	N/A	N/A	N/A	N/A	N/A	N/A
Recirc. Mounting Height*	26"-33"	26"-34"	30"-34"	N/A	N/A	N/A	N/A	N/A	N/A
EXTENSION DUCT COVER									
Ducted Mounting Height*	N/A	N/A	26"-26"	26"-32"	26"-34"	26"-34"	26"-34"	28"-34"	
Recirc. Mounting Height*	N/A	N/A	N/A	26"-28"	26"-34"	26"-34"	26"-34"	28"-34"	

*Mounting height refers to distance between top of a 36" tall cooking surface and bottom of hood.