

GE Monogram® Microwave Oven



Model# ZEM200SF



- 1.0 cu ft Oven Cavity
- 800 Watts©
- Electronic-Touchpads-Controls
- Express Cook and Instant On Controls
- Electronic Digital Display w/ Clock
- Sensor Cooking Controls for Popcorn, Beverage, Reheat and Cook Pads
- Auto Defrost / Time Defrost
- Add 30 Seconds
- Delay / Start Reminder
- 10 Power Levels
- Undercabinet Hanging Kit Included
- Built-In Kit Available for 27" Wide Cabinet
- ©IEC-705 Test Procedure

FEATURES

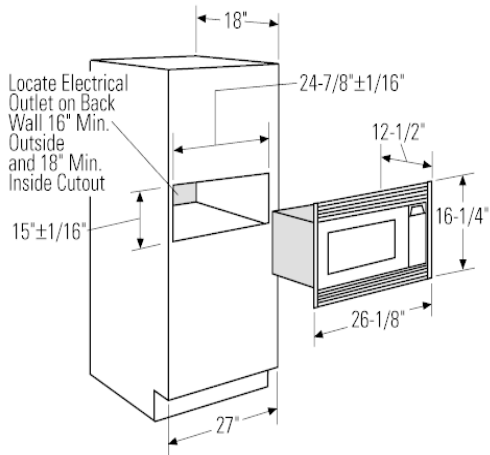
Clock	Plus AM/PM pad
Concurrent Programming	Yes
Cooking Technology	Microwave
Electronic Scrolling Digital Display	Yes
Electronic Touch Controls	Yes
Variable Scroll Speed	subpad w/ AM/PM pad
Wattage (IEC-705)	800 W
Cooking System	Turntable
Power Levels	10
Delay Start	Yes
Beverage (Sensor)	Instant-on
Chicken (Sensor)	Instant-On (Chicken/Fish)
Fish (Sensor)	Instant-On (Chicken/Fish)
Popcorn (Sensor)	Instant-on
Potatoes (Sensor)	Instant-on
Reheat (Sensor)	Instant-on
Vegetables (Sensor)	Instant-on
Turntable	Yes
Turntable Size (in.)	11-21/64
Add 30 Seconds	Instant-On
Defrost Type	Auto & Time
Demo Mode	Yes
Display On/Off	sub-pad w/ zero
Express Cook	Instant-on 1-6 minutes
Instant On Controls	Yes
Reminder (24 hr)	Yes
Scrolling Display with Help	Yes
Time Cook	I & II
Time Preference	Control Enhancement
Timer (On/Off)	No / Yes

To locate a GE Monogram dealer, call 1-800-626-2000

GE Monogram® Microwave Oven



Model# ZEM200SF



APPROXIMATE DIMENSIONS (HxDxW)

- 11 3/16 in x 12 9/32 in x 23 25/32 in

CAPACITY

- Total Capacity (cubic feet) 1.00 cu ft

CUSTOM OPTION and ACCESSORIES

Deluxe Trim Kit for Countertop Microwave Models JEM31 & JEM25 - Stainless	JX827SS
---	---------

To purchase related parts and accessories, call 1-866-775-4557

WARRANTY

- Parts Warranty - Limited 1-year entire appliance
Limited 5-year magnetron tube
- Labor Warranty - Limited 1-year entire appliance
- Warranty Notes - For models produced on or after January 1, 2006
See written warranty for full details

To locate a GE Monogram dealer, call 1-800-626-2000