

GE Monogram® 27" Built-In Electric Double Oven



Model# ZEK958SMSS



- Electronic Glass Touch Controls - A gentle touch allows you to easily select the desired cooking function: convection bake or roast, variable or closed-door broiling, 24-hour delay bake, warm mode or proof mode
- Self-Cleaning Oven Racks - Porcelain-coated racks are designed to be left in the oven during the self-clean cycle for effortless cleaning
- 3.8 Cu. Ft. Capacity (Each Oven) - Easily accommodates even the largest meals
- True Hidden Bake Element - Concealed beneath the oven floor, allowing additional capacity and improved cleanability
- Reverse-Air Convection System - Uses an innovative fan that reverses direction for optimal air and heat circulation, providing even cooking and multi-rack baking capability
- Certified Sabbath Mode - Allows you to keep cooked foods warm on the Jewish Sabbath and Jewish holidays
- Signature Tubular Handles - Are smooth, sleek and easy to grasp
- Hand-Finished Edges - Reflect the meticulous quality and craftsmanship for which Monogram products are renowned
- Large Viewing Window - Allows you to view your culinary work in progress

FEATURES

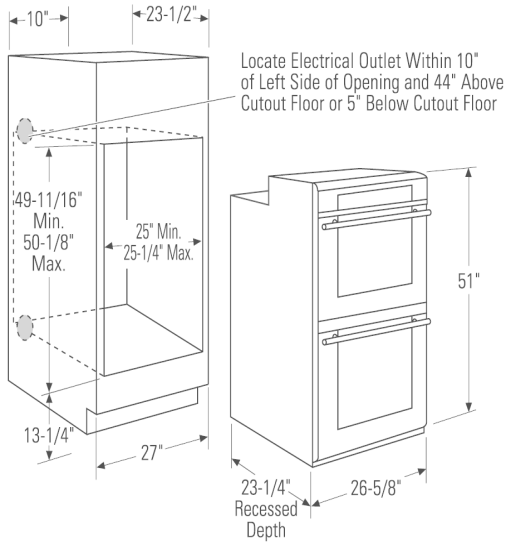
Configuration	Double
Control Type	Electronic Touch
Cooking System	True European, Reverse Air Convection
Cooking Technology	Convection
Hidden Bake Oven Interior	Yes
Oven Interior - Lower	Convection / Self-Clean
Oven Interior - Upper	Convection / Self-Clean
Oven Style	27" Double Oven
Certified Sabbath Mode	Yes
Convection Bake	Multi/Single Rack Bake
Convection Roast	Yes
Proof Mode	Yes
Thermal Bake / Thermal Roast	Yes
Warm Mode	Yes
Digipad Numeric Entry	Yes
Roasting Rack	Upper
24-Hr/12-Hr Time Display	Yes
Auto Oven Shut-Off with Override	Yes
Automatic Meat Thermometer	Upper and Lower
Automatic Self-Clean Oven Door Lock	Upper/Lower
C° or F° Programmable	Yes
Control Lock Capability	Yes
Convection Conversion	Default Off
Delay Bake Option With Warm Mode	Yes
Electronic Clock & Kitchen Timer	Yes
Embossed Rack Positions	4 Each Oven
Glass Touch Controls	Yes
Independent Cook/Clean Controls	Yes
Light Self Clean Mode	Yes
Oven Meat Probe	Yes
Oven Racks	3 Heavy Duty, Self-Clean (Upper/Lower)
Temperature Display	Yes
Timed Cooking	Yes
Variable Broil	Yes
Variable Cleaning Time w/Delay Clean Option	Yes
Audible Preheat Signal	Yes
Interior Oven Light	Halogen (2 each)
Oven Light Pad	Yes
Broiler Pan and Grid	Upper

To locate a GE Monogram dealer, call 1-800-626-2000

GE Monogram® 27" Built-In Electric Double Oven



Model# ZEK958SMSS



APPROXIMATE DIMENSIONS (HxDxW)

- 51 in x 23 1/4 in x 26 5/8 in

CAPACITY

- Oven Capacity 3.8 Upper / 3.8 Lower
- Total Capacity (cubic feet) 7.60 cu ft

WARRANTY

- Parts Warranty - Limited 1-year entire appliance
- Labor Warranty - Limited 1-year entire appliance
- Warranty Notes - For models produced on or after January 1, 2006

See written warranty for full details

To locate a GE Monogram dealer, call 1-800-626-2000