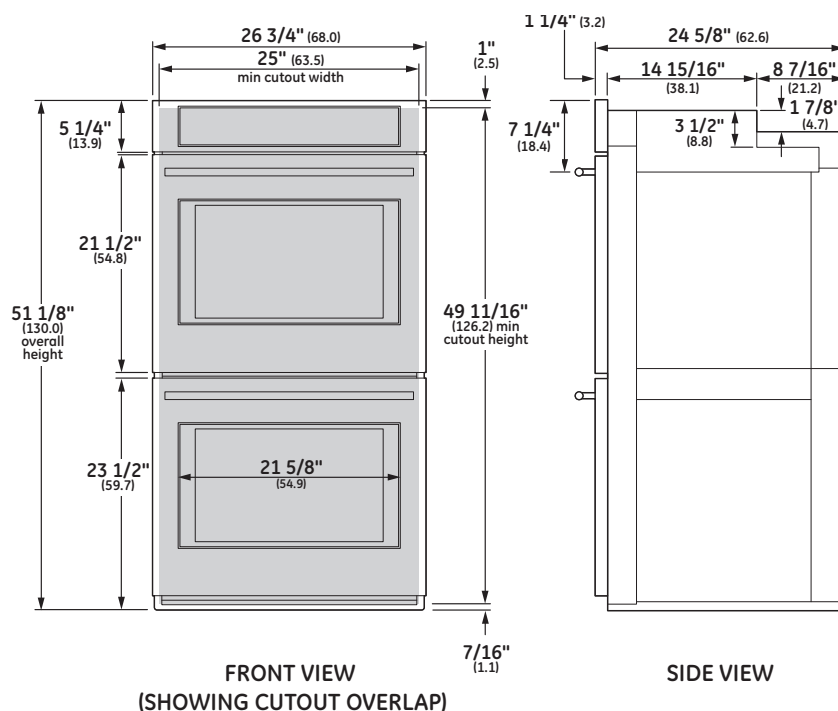




OVERALL DIMENSIONS

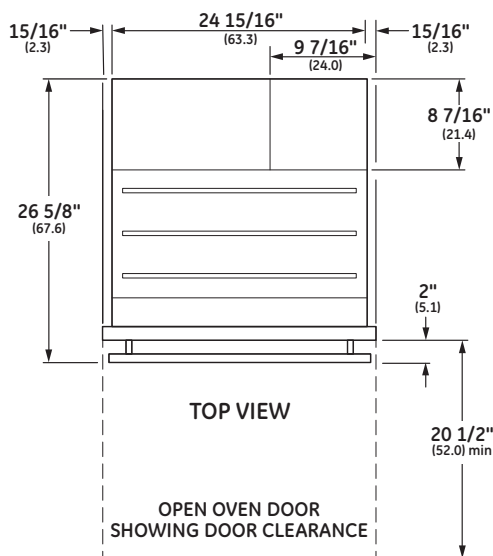


SPECIFICATIONS

Overall Width	26 3/4" (68.0 cm)
Overall Height	51 1/8" (130.0 cm)
Overall Depth Including Handle	26 5/8" (67.6 cm)
Oven Door Clearance	20 1/2" (52.0 cm)
Overall Oven Interior Capacity	8.6 cu. ft (243.6 Liters)
Oven Interior Dimensions (W x H x D) each oven	21 1/2" x 17 1/4" x 20" (54.6 x 43.8 x 50.8 cm)
Minimum Cabinet Width*	27" (76.2 cm)
Minimum Cabinet Depth*	24" (61.0 cm)
Minimum Base Support	375 lbs. (170 kg)
Cutout Width*	25" (63.5 cm) Min 25 1/4" (64.1 cm) Max
Cutout Height*	49 11/16" (126.2 cm) Min 50 1/8" (127.3 cm) Min
Cutout Depth*	23 1/2" (59.7 cm) Min
Volts/Hertz/Amps	240/208 V AC, 60 Hz, 40A
Conduit Length	40" (72" available special order: WB18T10398)
Electrical Rating	5.4 kW at 208V 7.2 kW at 240V
Shipping Weight	250 lbs. (114 kg)

\* Additional space will be needed for flush installation.

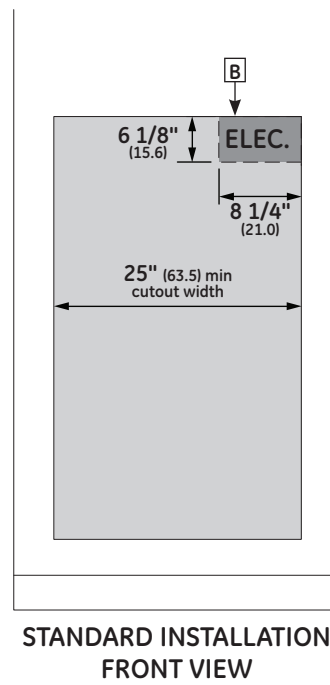
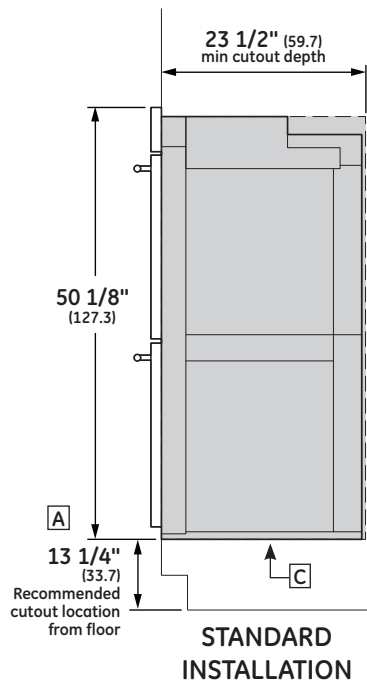
**ATTENTION ELECTRICIAN:**  
A 240/208V, 60Hz, 40 Amp circuit is required. An individual properly grounded branch circuit or circuit breaker is required. Hardware junction box is required for built-in product.



Dimensions in parentheses are in centimeters unless otherwise noted. Actual product dimensions may vary due to manufacturing tolerances.



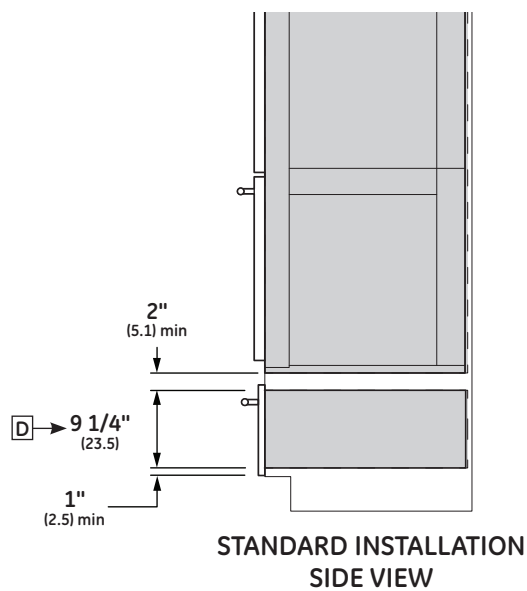
WALL INSTALLATION



NOTES

- A Based on a user height of 5' 6" to 5' 10"
- B Junction box location (May also be located in adjacent cabinet.)
- C Platform must be able to support 375 lbs (169 kg)
- D Dimension per Warming Drawer requirement

INSTALLATION OVER WARMING DRAWER



For more details, refer to the installation instructions for this product on Monogram.com. Dimensions in parentheses are in centimeters unless otherwise noted.

FEATURES AND BENEFITS

**Glass Touch Controls** - Allow you to adjust oven settings quickly, with little effort

**True European Convection with Direct Air** - Channels heated air from the top of the oven and circulates it around food on all sides for perfectly uniform baking and roasting

**8.6 Cu. Ft. Capacity (4.3 each oven)** - Accommodates even the largest meals

**Ten-Pass Bake Element** - Covers more surface area for more even baking results

**Self-Clean, Heavy-Duty Roller Rack** - Glides open smoothly to simplify loading and unloading

**Eight-Pass Dual Broil Element** - Provides complete coverage and even browning, even for large dishes

**Brillion™-Enabled** - Allows you to control oven functions from anywhere inside or even outside your home, using your smartphone or other web-enabled mobile device

**Black Interior** - Offers a stylish complement to the sophisticated exterior design



70 to 90% U.S. content. Product content details at GEAppliances.com/USA

