



OVERALL DIMENSIONS

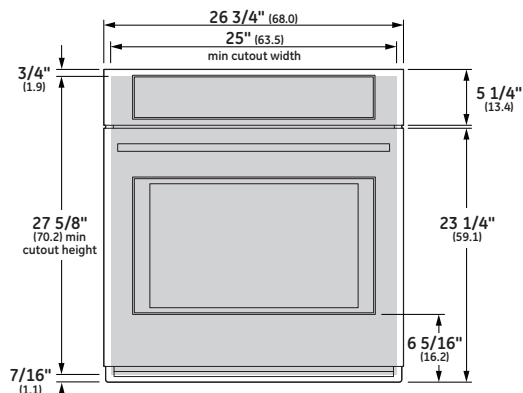
SPECIFICATIONS

Overall Width	26-3/4" (68.0 cm)
Overall Height	28-13/16" (72.2 cm)
Overall Depth Including Handle	26-5/8" (67.6 cm)
Oven Door Clearance	20-1/2" (52.0 cm)
Overall Oven Interior Capacity	4.3 cu. ft. (121.8 liters)
Oven Interior Dimensions (W x H x D)	21-1/2" x 17-1/4" x 20" (54.6 x 43.8 x 50.8 cm)
Minimum Cabinet Width*	27" (76.2 cm)
Minimum Cabinet Depth*	24" (61.0 cm)
Minimum Base Support	200 lbs. (90 kg)
Cutout Width*	25" (63.5 cm) Min 25-1/4" (64.1 cm) Max
Cutout Height*	27-5/8" (70.2 cm) Min 28-1/8" (71.4 cm) Max
Cutout Depth*	23-1/2" (59.7 cm) Min
Volts/Hertz/Amps	240/208 V AC, 60 Hz, 20A
Conduit Length	40" (72" available special order: WB18T10398)
Electrical Rating	2.7 kW at 208V 3.6 kW at 240V
Shipping Weight	140 lbs. (64 kg)

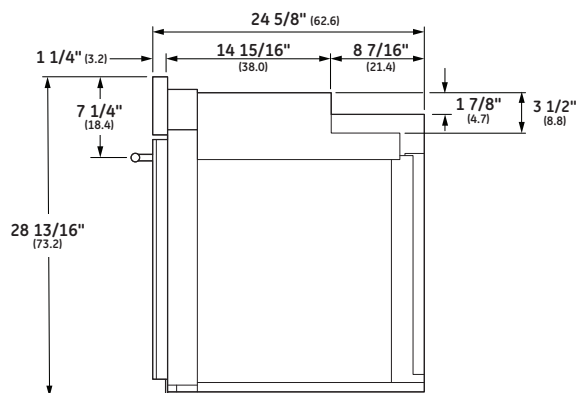
* Additional space will be needed for flush installation.

ATTENTION ELECTRICIAN:

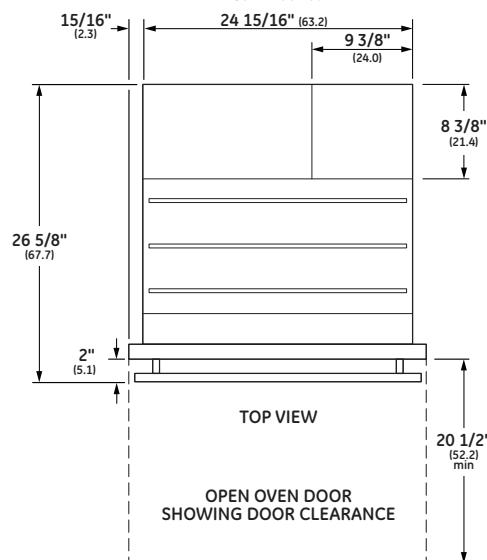
A 240/208V, 60Hz, 20 Amp circuit is required. An individual properly grounded branch circuit or circuit breaker is required. Hardware junction box is required for built-in product.



FRONT VIEW (SHOWING CUTOUT OVERLAP)



SIDE VIEW

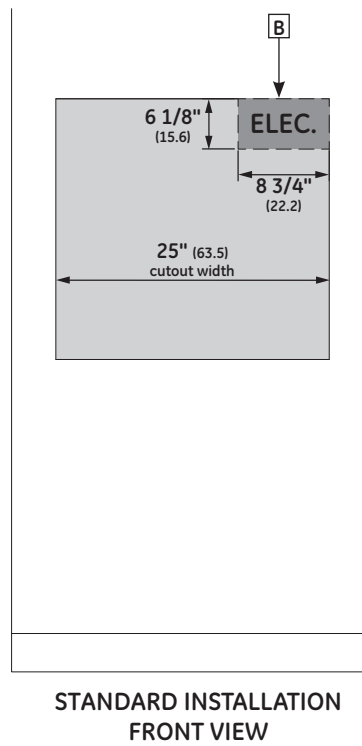
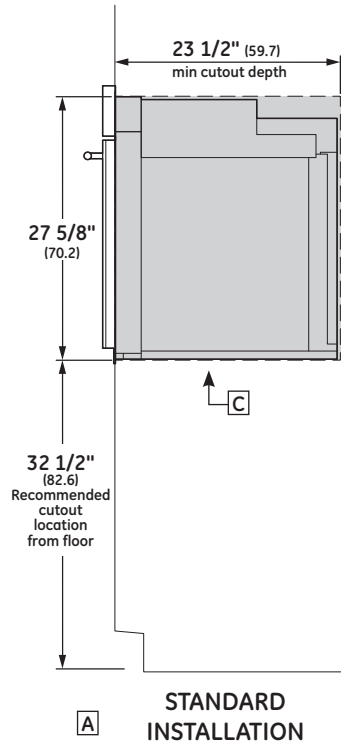


TOP VIEW

OPEN OVEN DOOR
SHOWING DOOR CLEARANCE

Dimensions in parentheses are in centimeters unless otherwise noted. Actual product dimensions may vary due to manufacturing tolerances.

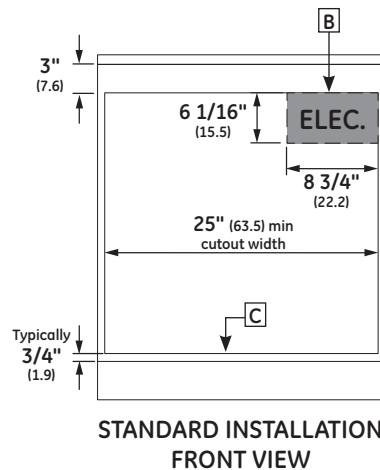
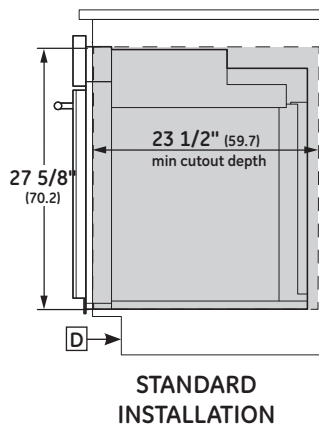
WALL INSTALLATION



NOTES

- A** Based on a user height of 5' 6" to 5' 10"
- B** Junction box location (May also be located in adjacent cabinet.)
- C** Platform must be able to support 200 lbs (90 kg)
- D** Maximum toe kick height of 4" when installed beneath a certified cooktop.

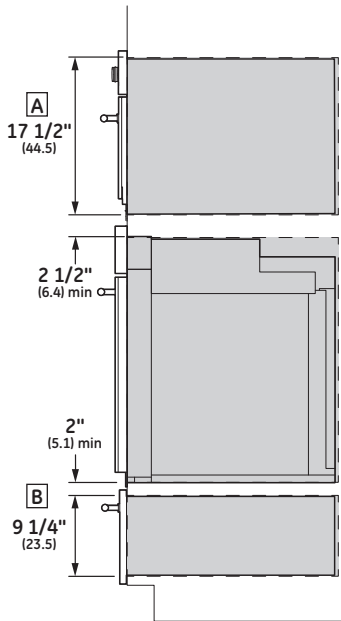
UNDERCOUNTER INSTALLATION



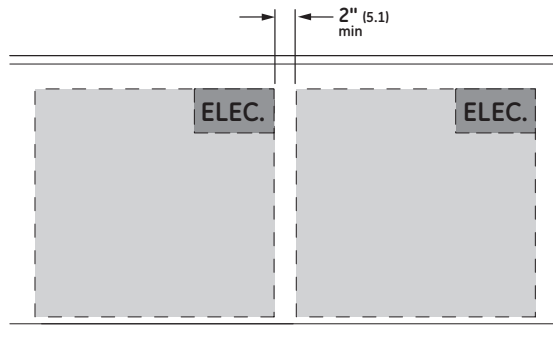
For more details, refer to the installation instructions for this product on Monogram.com. Dimensions in parentheses are in centimeters unless otherwise noted.

INSTALLATION WITH ADVANTIUM AND WARMING DRAWER

SIDE BY SIDE INSTALLATION



STANDARD INSTALLATION
SIDE VIEW

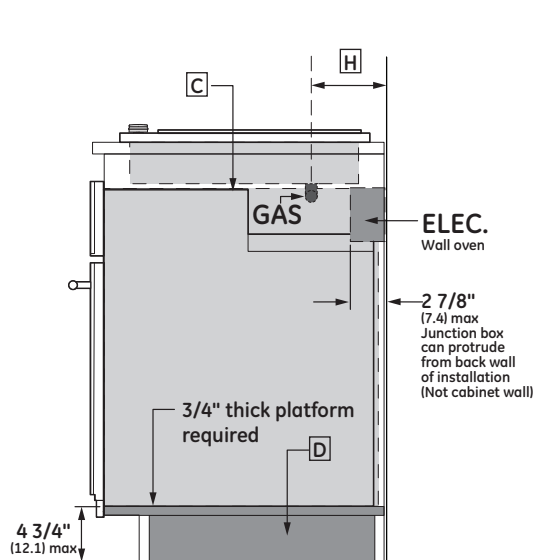


SIDE BY SIDE INSTALLATION
FRONT VIEW OF CUTOUTS

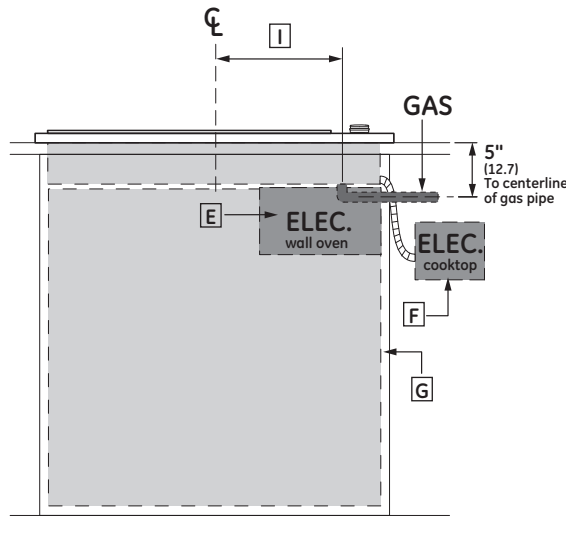
NOTES

- A** Dimensions per Advantium or Microwave Oven requirement
- B** Dimension per Warming Drawer requirement
- C** Note this oven is only approved to be installed under specific models as labeled on this unit.
- D** Support platform made of 3/4" (1.9 cm) wood is required. Must be capable of supporting 150 lbs (68 kg). Support Platform base to be same height as toe kick.
- E** Junction box location for wall oven. (May also be located in adjacent cabinet).
- F** Gas regulator and electric connections for cooktops must be located in an adjacent accessible location to the right
- G** Top and/or side fillers may be necessary if unit is positioned between existing cabinets. Be sure they are attached securely, since they will anchor the oven in the cabinet.
- H** Dimension varies based on model.
example:
ZGU385 5 1/2" (14 cm) (from wall)
ZGU384 4 5/16" (10.9 cm) (from wall)
- I** Dimension varies based on model.
example:
ZGU385 0" (0 cm) (centerline)
ZGU384 12 1/16" (30.6 cm) (centerline)

UNDER COOKTOP INSTALLATION



STANDARD INSTALLATION
SIDE VIEW



FRONT VIEW

For more details, refer to the installation instructions for this product on Monogram.com. Dimensions in parentheses are in centimeters unless otherwise noted.

FEATURES AND BENEFITS

Glass Touch Controls - Allow you to adjust oven settings quickly, with little effort

True European Convection with Direct Air - Channels heated air from the top of the oven and circulates it around food on all sides for perfectly uniform baking and roasting

4.3 Cu. Ft. Capacity - Accommodates even the largest meals

Ten-Pass Bake Element - Covers more surface area for more even baking results

Self-Clean, Heavy-Duty Roller Rack - Glides open smoothly to simplify loading and unloading

Eight-Pass Dual Broil Element - Provides complete coverage and even browning, even for large dishes

Brilliant™-Enabled - Allows you to control oven functions from anywhere inside or even outside your home, using your smartphone or other web-enabled mobile device

Black Interior - Offers a stylish complement to the sophisticated exterior design



70 to 90% U.S. content. Product content details at GEAppliances.com/USA