

GE Monogram® Undercounter Wine Reserve with Liquid Crystal Window



Model# ZDWT240PBS



FEATURES

| | |
|--------------------------------|--------------------------|
| Adjustable Temperature Control | Yes |
| Digital Temperature Display | Yes, Fahrenheit |
| Electronic Controls | Upfront inlaid |
| Full Extension Slides | Yes |
| Wine Racks | 7 With Wood Shelf Fronts |
| Interior Lighting | Yes |
| ADA Compliant | Yes |
| Wine Chiller | Yes |

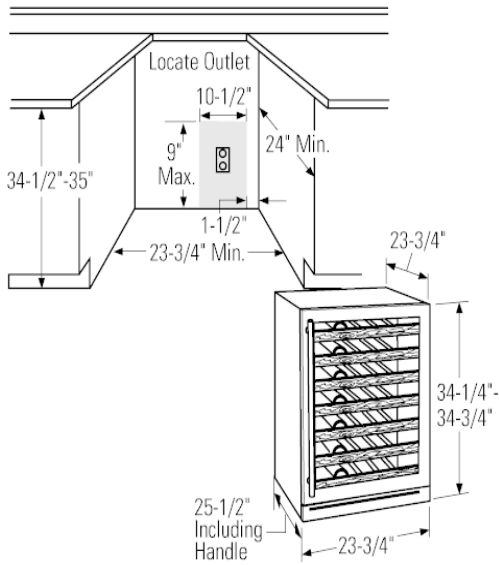
- Privacy glass - Innovative liquid-crystal technology allows you to turn glass from opaque to clear with a simple press of the button. Opaque setting conceals contents from view
- Adjustable Temperature Control - Maintains a consistent temperature
- Red or white wine temperature setting - Maintain the ideal temperature for aging or serving wine
- LED Temperature Display - Allows you to monitor the temperature at a glance
- Full-extension sliding wine racks - Positions bottles either horizontally or vertically to maximize space
- Unfinished heart-of-cherry wood shelf fronts - Can be finished to complement surrounding cabinetry
- Soft Interior Lighting - Automatically illuminates when the door is open, but can be activated by an internal on/off switch
- Stainless steel tubular handle - Designed to coordinate with other Monogram appliances
- Flush Installation - Allows near-seamless integration with surrounding cabinetry

To locate a GE Monogram dealer, call 1-800-626-2000

GE Monogram® Undercounter Wine Reserve with Liquid Crystal Window



Model# ZDWT240PBS



APPROXIMATE DIMENTIONS (HxDxW)

- 34 1/2 in x 23 3/4 in x 23 3/4 in

CAPACITY

- Capacity 57 Wine Bottles
- Total Capacity (cubic feet) 5.50 cu ft

WARRANTY

- Parts Warranty - Limited 1-year entire appliance
Limited 5-year sealed refrigerating system
- Labor Warranty - Limited 1-year entire appliance
Limited 5-year sealed refrigerating system
- Warranty Notes - For models produced on or after
January 1, 2006
See written warranty for full details

To locate a GE Monogram dealer, call 1-800-626-2000