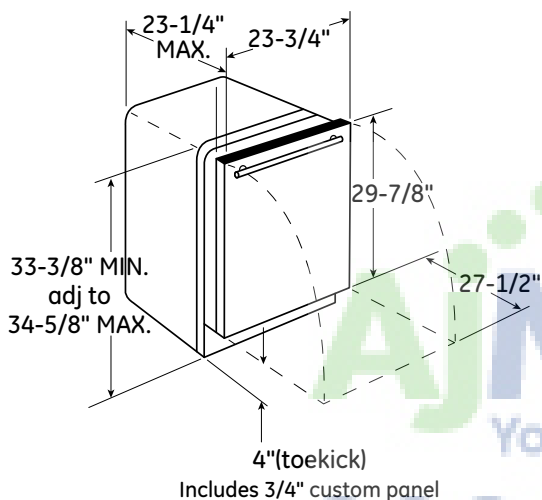


# ZDT870SIFII/ZDT870SPFSS/ZDT870SSFSS GE Monogram® Fully Integrated Dishwashers

## Dimensions and Specifications (in inches)

- The dishwasher must be installed so that the drain hose is no more than 10 feet in length for proper drainage.
- Water and power supply should enter in the shaded area.
- Electrical and water connections are at the right front of the dishwasher. The hot water line should extend forward 30" to 40" from the rear wall. The electrical must extend forward at least 24" to reach the junction box.
- To prevent siphoning, an air gap must be used when the waste tee or disposer connection is less than 18" above the floor.



\*Dishwasher models ZDT800SIF and ZDT870SIF require a 3/4" thick custom panel and will be 24-3/4" deep.

## Electrical Requirements

The dishwasher must be supplied with 120V, 60Hz, and connected to an individual properly grounded branch circuit protected by a 15- or 20-amp circuit breaker or time-delay fuse.

## Custom Panel for Model ZDT870SIF

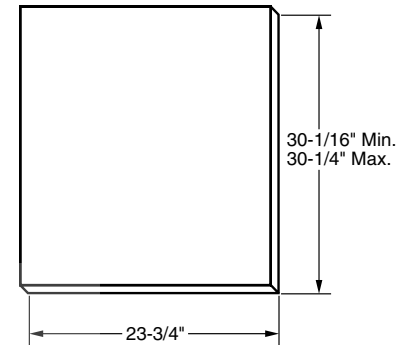
These dishwashers require a field installed 3/4" thick custom panel and custom handle. An installation template is packed with these models and may be obtained in advance. Complete panel installation instructions are included on the template.

## CUSTOM PANEL SIZE REQUIREMENTS

### HEIGHT

**Panel height must be between 30-1/16" and 30-1/4".**

- If the panel height is more than 30-1/4" it will prevent the door from swinging open.
- If the panel height is less than 30-1/16" it will not cover the dishwasher door frame.

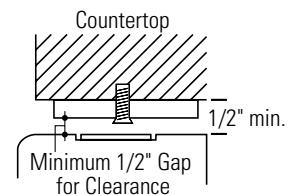


- The top of the custom panel must be flush with the top of the door. The 1/2" minimum gap between the top of the door and the bottom of the countertop must be maintained.

### WIDTH

**Panel width must be 23-3/4".**

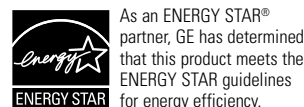
- If the panel width is less than 23-3/4" it will not cover the dishwasher frame.



**IMPORTANT: To ensure optimum door balance performance, the custom panel must not weigh more than 14 lbs.**

**Before installing refer to installation instructions for details.**

For answers to your Monogram® Profile Series or GE appliance questions, visit our website at [geappliances.com](http://geappliances.com) or call GE Answer Center® service, 800.626.2000.



# ZDT870SIFII GE Monogram® Fully Integrated Dishwashers

## Custom Dishwasher Door Panel Template

**3/4" Thick Custom Panel  
Template Instructions for  
Top Control Integrated Profile and  
Monogram Dishwasher Models**

The custom panel should be sized to your installation situation. See Step 1. For easier installation the custom panel and custom handle should be attached before installing the dishwasher. Use this template to locate mounting screws and spacers on the custom panel.

**IMPORTANT:** A custom handle must be installed onto the custom panel. Install the custom handle 4 1/2" from the top of the panel.

**PARTS INCLUDED:**  
(1) Spacers  
(1) #8 x 1/2" Phillips brass head stainless steel screws  
(1) #8 x 1/4" Phillips brass head stainless steel screws  
(2) Heavy duty springs

**STEP 1 CUSTOM PANEL SIZE REQUIREMENTS**

**HEIGHT:**  
Panel height must be between 28 1/8" and 28 1/4".  
\* The top of the custom panel must be flush with the top of the door. See [ZDT870SIFII](#).

**STEP 2 DRAW CENTERLINE**

- Place the custom panel on a flat surface with appearance side down.
- Locate the vertical center of the panel at the top.
- Use a carpenter square to draw a centerline from top to bottom.

**STEP 3 ALIGN TEMPLATE TO PANEL**

- Trim template on the dotted line along all sides.
- Place the template on the panel aligned with the top edge and the centerline. Use tape to hold in place.

**IMPORTANT:** This template is not aligned with the top edge of the panel. The 1/2" spacer gap must be maintained. The 1/2" spacer gap must be maintained to prevent contamination and damage to the control panel from screw heads.

- Use an eraser to mark the screw hole locations indicated on the template. Remove the template.

**STEP 4 INSTALL MOUNTING SCREWS AND SPACERS**

If the panel is less than 3/4" thick, shifter screws must be used. Use #8 x 1/2" screws for 1/2" thick panels (not supplied).

- Use a 3/32" drill bit to drill pilot holes 3/32" deep in the marked locations.
- Note: The custom panel is secured to the dishwasher door with the spacers and screws provided. The spacer will slip into the lip/ditch area on the dishwasher door.
- Drive the supplied #8 x 1/2" Phillips brass head steel screws through the spacer and into the panel.
- Install mounting spacers and screws as indicated in the marked locations.

**STEP 5 INSTALL CUSTOM HANDLE**

A custom handle must be installed onto the panel before the panel is secured to the dishwasher door.

- The handle should be installed so that it aligns with adjustment screws located, 1/4" to 1/2" from the top of the panel. Secure the handle in the same manner as a custom handle. Screws must be countersunk into the panel.

**STEP 6 INSTALL ASSEMBLED PANEL**

- Secure the panel to the door by inserting the top and bottom mounting screws and spacers into the matching lip/ditch slots.
- Slide screws on a square through the lip/ditch slots.
- Press the panel against the door and push downward until the spacers are fully engaged into the lip/ditch slots. The panel should align evenly with the top and sides.

**STEP 7 INSTALL DOOR SPRINGS**

The dishwasher is shipped from the factory with a temporary set of balance springs. Use the heavy duty springs provided and the adjustment cable in the cable to adjust the door after the custom panel is installed onto the dishwasher.

- With the dishwasher on the 100% OFF cycle and locked the door.
- Remove and discard both door springs.
- Attach the new heavy duty door spring. Engage the spring into the adjustment cable on the upper lip and the hole in the cable.
- Close and lock the door.
- If the door drops speed when released, increase spring tension. If the door closes when released, decrease spring tension.

**NOTE:** If the door does not open easily, or the door cannot hold open, you may need to increase the spring tension. Increase the spring tension by turning the adjustment cable clockwise. Do not over-tighten the spring.

**WARNING:** Adjusted balance springs to the wall require a professional service technician.

**For Reference Only  
Not to Scale**

Trim Around Dotted Line

Top of Panel

11-5/16"

2-9/32"

Drill 3/32" Pilot Hole 3/32" Deep

25-9/16"

Drill 3/32" Pilot Hole 3/32" Deep

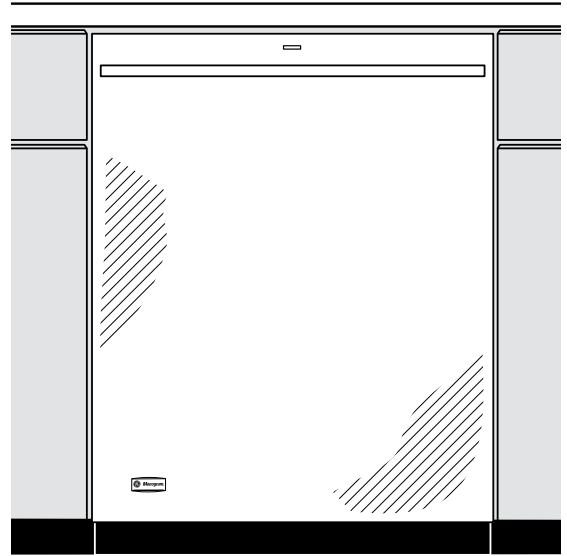
**CALL 1-800-626-2000**  
For a full-size panel template with complete panel installation instructions.



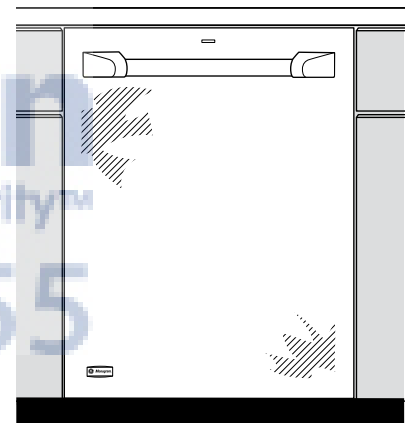
# ZDT870SIFII/ZDT870SPFSS/ZDT870SSFSS GE Monogram® Fully Integrated Dishwashers

## Features and Benefits

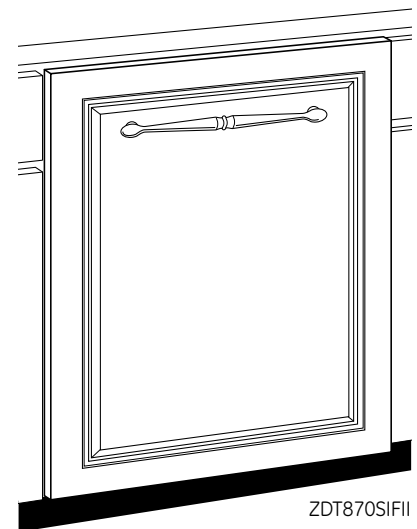
- GE's most advanced wash system with 102 cleaning jets - Achieve the ultimate clean from an industry-leading number of jets that deliver complete washing coverage to every corner of the dishwasher
- Full-Extension, Smooth-Glide, Adjustable Third Rack - Functions as a utensil drawer for cleaning of an entire flatware collection, along with carving knives, soup ladles, tongs and other cooking/serving tools
- LED lighting - Illuminate the entire interior, leaving no question as to whether or not dishes have been cleaned
- 39 dBA with LED status indicator on door - A dishwasher this quiet has a status indicator to tell you if the dishwasher is Washing, Drying or Clean
- Bottle Wash Jets - Hard-to-reach areas inside tall items get completely clean with four dedicated jets integrated into the upper rack that shower water deep inside for the ultimate clean
- Cabinet Depth Installation - Achieving a true flush installation that complements and blends in with cabinetry, even inset cabinets, without reducing rack capacity
- Top control LCD display - User-friendly controls combined with a LCD screen complement the sleek stainless look
- Easy Touch Adjustable Upper Rack with 2 Stem Safe wine glass holders - Quickly adjust the upper rack 2 inches up or down to accommodate tall glassware and 10 ½" plates with plenty of room in the bottom rack for large platters and cookie sheets
- Wash Zones - Wash a true half-load in either the upper or lower rack without sacrificing options and cycles available on a full wash
- Reversing Blade Wash Arm - Dishes come out impressively clean thanks to this revolutionary lower wash arm, with 25 spray jets reversing direction to hit items from every angle
- Model ZDT8700SSFSS - Stainless steel - European
- Model ZDT870SIFSS - Requires custom panel - Professional
- Model ZDT8700SPFSS - Stainless steel and handle



ZDT800SSFSS



ZDT800SPFSS



ZDT870SIFII



imagination at work