

GE Monogram® 48" Dual-Fuel Professional Range with 6 Burners and Grill (Liquid Propane)



Model# ZDP486LRPSS



- Authentic Professional appearance with premium-grade, 304 stainless steel with smoothly finished edges, large electronic control knobs and heavy duty handles
- Sealed, dual-flame stacked burners deliver a full spectrum of heat settings, from an ultra-low 140° F simmer to an intense 18,000 BTUs
- Monogram Professional oven system combines European, Reverse-Air convection technology and six heating elements in each oven to provide superb baking results
- Heavy-duty, full-extension racks glide smoothly in and out on stainless steel ball bearings for easy access, and are designed to remain in the oven during the self-clean cycle
- LED task lights below the bullnose provide a functional and theatrical touch
- The ceramic-infrared grill has 14,000 BTUs* of adjustable heat. The cooking grate is grooved on one side to create sear marks and rounded on the other for delicate foods
- Electronic ignition with automatic reignition ensures a continuous flame and reignites automatically if accidentally extinguished
- Reversible burner grates are flat on one side and uniquely contoured on the other to accommodate round-bottom woks
- A caterer's oven is uniquely sized to accommodate three full-size sheet trays

FEATURES

3-Piece reversible (flat/wok) grates	Porcelainized Cast Iron
Configuration	6 Burners; Grill
Convection Bake	Both Ovens
Convection Broil	Both Ovens
Convection Roast	Both Ovens
Cooking System	True European, Reverse Air Convection
Cooktop Burners	6 Sealed, Dual Flame Stacked
Delay Clean Option	Both Ovens
Digital Temperature Display	with Timer Display (Both Ovens)
Fuel Configuration - Oven	Electric Convection
Fuel Type	Liquid Propane Gas (factory set)
Ignition System	Electronic w/Auto Reignition
Oven Interior	Self-Clean (Each Oven)
Oven Meat Probe	Automatic (Both Ovens)
"On" Indicator Light	Buner "On"
140 Deg. Simmer Burner	All Burners - Adjustable
Certified Sabbath Mode	Yes
Adjustable Output Ceramic IR Grill	Yes
14,000-BTU Grill	Yes
Proof Mode	Both Ovens
Automatic Self-Clean Oven Door Lock	Yes
Cleaning Time	5 Hours (Both Ovens)
Convection Roasting Rack	Yes
Lighting	LED Bullnose Task Lighting
Rack Positions	Main Oven - 5; Companion Oven -4
Stainless Steel Grill / Griddle Covers	1
Interior Oven Light - Companion Oven	Halogen Light Columns (3 Lamps)
Interior Oven Light - Main Oven	Halogen Light Columns (6 Lamps)
Oven Racks	3 (Main Oven) and 2 (Companion Oven) Self-Cleaning, Full-Extension
Broiler Pan	2

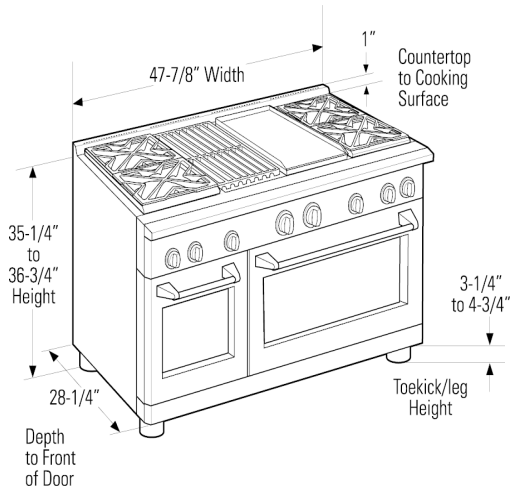
-
- Everyday oven is just the right size for 9" x 13" casserole dishes
 - Halogen light columns provide a clear view, regardless of rack position
 - Large temperature and time displays make it easy to monitor cooking progress
 - Stainless steel grill cover included with the range
 - Optional full-width stainless steel toekick is included with the range
 - Optional fixed (12 inch) or adjustable-height (30-36 inch) backsplashes are available
 - Optional black knob kit is included with the range
 - Star-K certification allows Monogram ranges to operate in Sabbath mode

To locate a GE Monogram dealer, call 1-800-626-2000

GE Monogram® 48" Dual-Fuel Professional Range with 6 Burners and Grill (Liquid Propane)



Model# ZDP486LRPSS



APPROXIMATE DIMENSIONS (HxDxW)

- 35 1/4 in x 28 1/4 in x 47 7/8 in

CAPACITY

- Companion Oven 2.5 cu. ft.
- Main Oven Capacity 5.75 cu ft

CUSTOM OPTION and ACCESSORIES

GE Monogram® Professional 30"- 36" Adjustable Backsplash with Warming Shelf	ZXADJB48PSS
GE Monogram® 12" Professional Backsplash	ZX12B48PSS

To purchase related parts and accessories, call 1-866-775-4557

WARRANTY

- **Parts Warranty** - Limited 2-year entire appliance
Limited 5-year gas surface burners
Limited lifetime of oven racks
- **Labor Warranty** - Limited 2-year entire appliance
- **Warranty Notes** - For models produced on or after January 1, 2006
See written warranty for full details

To locate a GE Monogram dealer, call 1-800-626-2000