

GE Monogram® 36" Dual-Fuel Professional Range with 4 Burners and Grill (Liquid Propane)



Model# ZDP364LRPSS



- Authentic Professional appearance with premium-grade, 304 stainless steel with smoothly finished edges, large electronic control knobs and heavy duty handles
- Sealed, dual-flame stacked burners deliver a full spectrum of heat settings, from an ultra-low 140° F simmer to an intense 18,000 BTUs
- Monogram Professional oven system combines European, Reverse-Air convection technology and six heating elements to provide superb baking results
- Heavy-duty, full-extension racks glide smoothly in and out on stainless steel ball bearings for easy access, and are designed to remain in the oven during the self-clean cycle
- LED task lights below the bullnose provide a functional and theatrical touch
- The ceramic-infrared grill has 14,000 BTUs* of adjustable heat. The cooking grate is grooved on one side to create sear marks and rounded on the other for delicate foods
- Electronic ignition with automatic reignition ensures a continuous flame and reignites automatically if accidentally extinguished
- Reversible burner grates are flat on one side and uniquely contoured on the other to accommodate round-bottom woks
- A caterer's oven is uniquely sized to accommodate three full-size sheet trays
- Halogen light columns provide a clear view, regardless

FEATURES

| | |
|--|---------------------------------------|
| 3-Piece reversible (flat/wok) grates | Porcelainized Cast Iron |
| Configuration | 4 Burners; Grill |
| Convection Bake | Yes |
| Convection Broil | Yes |
| Convection Roast | Yes |
| Cooking System | True European, Reverse Air Convection |
| Cooktop Burners | 4 Sealed, Dual Flame Stacked |
| Delay Clean Option | Yes |
| Digital Temperature Display | with Timer Display |
| Fuel Configuration - Oven | Electric Convection |
| Fuel Type | Liquid Propane Gas (factory set) |
| Ignition System | Electronic w/Auto Reignition |
| Oven Interior | Self-Cleaning |
| Oven Meat Probe | Automatic |
| "On" Indicator Light | Buner "On" |
| 140 Deg. Simmer Burner | All Burners - Adjustable |
| Certified Sabbath Mode | Yes |
| Adjustable Output Ceramic IR Grill | Yes |
| 14,000-BTU Grill | Yes |
| Proof Mode | Yes |
| Automatic Self-Clean Oven Door Lock | Yes |
| Cleaning Time | 5 Hours |
| Convection Roasting Rack | Yes |
| Lighting | LED Bullnose Task Lighting |
| Rack Positions | 5 |
| Stainless Steel Grill / Griddle Covers | 1 |
| Interior Oven Light - Main Oven | Halogen Light Columns (6 Lamps) |
| Oven Racks | 3 Self-Cleaning, Full-Extension |
| Broiler Pan | 1 |

of rack position

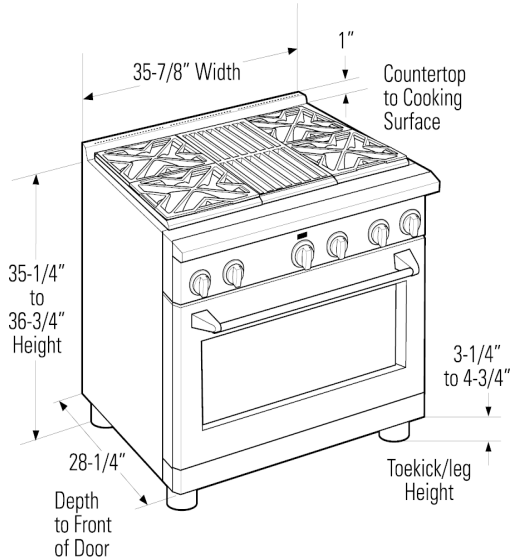
- Large temperature and time displays make it easy to monitor cooking progress
- Stainless steel grill cover included with the range
- Optional full-width stainless steel toekick is included with the range
- Optional fixed (12 inch) or adjustable-height (30-36 inch) backsplashes are available
- Optional black knob kit is included with the range
- Star-K certification allows Monogram ranges to operate in Sabbath mode

To locate a GE Monogram dealer, call 1-800-626-2000

GE Monogram® 36" Dual-Fuel Professional Range with 4 Burners and Grill (Liquid Propane)



Model# ZDP364LRPSS



APPROXIMATE DIMENSIONS (HxDxW)

- 35 1/4 in x 28 1/4 in x 35 7/8 in

CAPACITY

- Main Oven Capacity 5.75 cu ft

CUSTOM OPTION and ACCESSORIES

| | |
|---|-------------|
| GE Monogram® Professional 30"- 36" Adjustable Backsplash with Warming Shelf | ZXADJB36PSS |
| GE Monogram® 12" Professional Backsplash | ZX12B36PSS |

To purchase related parts and accessories, call 1-866-775-4557

WARRANTY

- **Parts Warranty** - Limited 2-year entire appliance
Limited 5-year gas surface burners
Limited lifetime of oven racks
- **Labor Warranty** - Limited 2-year entire appliance
- **Warranty Notes** - For models produced on or after January 1, 2006
See written warranty for full details

To locate a GE Monogram dealer, call 1-800-626-2000