

# GE Monogram® 36" Dual-Fuel Professional Range with 4 Burners and Griddle (Liquid Propane)



Model# ZDP364LDPSS



- Authentic Professional appearance with premium-grade, 304 stainless steel with smoothly finished edges, large electronic control knobs and heavy duty handles
- Sealed, dual-flame stacked burners deliver a full spectrum of heat settings, from an ultra-low 140° F simmer to an intense 18,000 BTUs
- Monogram Professional oven system combines European, Reverse-Air convection technology and six heating elements to provide superb baking results
- Heavy-duty, full-extension racks glide smoothly in and out on stainless steel ball bearings for easy access, and are designed to remain in the oven during the self-clean cycle
- LED task lights below the bullnose provide a functional and theatrical touch
- Stainless steel and aluminum-clad griddle offers 18,000 BTUs\* of cooking power, allowing fast and consistent heating across the entire cooking surface
- Electronic ignition with automatic reignition ensures a continuous flame and reignites automatically if accidentally extinguished
- Reversible burner grates are flat on one side and uniquely contoured on the other to accommodate round-bottom woks
- A caterer's oven is uniquely sized to accommodate three full-size sheet trays
- Halogen light columns provide a clear view, regardless of rack position

## FEATURES

3-Piece reversible (flat/wok) grates	Porcelainized Cast Iron
Configuration	4 Burners; Griddle
Convection Bake	Yes
Convection Broil	Yes
Convection Roast	Yes
Cooking System	True European, Reverse Air Convection
Cooktop Burners	4 Sealed, Dual Flame Stacked
Delay Clean Option	Yes
Digital Temperature Display	with Timer Display
Fuel Configuration - Oven	Electric Convection
Fuel Type	Liquid Propane Gas (factory set)
Ignition System	Electronic w/Auto Reignition
Oven Interior	Self-Cleaning
Oven Meat Probe	Automatic
"On" Indicator Light	Buner "On"
140 Deg. Simmer Burner	All Burners - Adjustable
Certified Sabbath Mode	Yes
Proof Mode	Yes
Thermostatically Controlled 16,000-BTU Griddle	Stainless Steel and Aluminum Clad
Automatic Self-Clean Oven Door Lock	Yes
Cleaning Time	5 Hours
Convection Roasting Rack	Yes
Lighting	LED Bullnose Task Lighting
Rack Positions	5
Stainless Steel Grill / Griddle Covers	1
Interior Oven Light - Main Oven	Halogen Light Columns (6 Lamps)
Oven Racks	3 Self-Cleaning, Full-Extension
Broiler Pan	1

- 
- Large temperature and time displays make it easy to monitor cooking progress
  - Stainless steel grill/griddle covers are included with the range
  - Optional full-width stainless steel toekick is included with the range
  - A bamboo cutting board is included
  - Optional fixed (12 inch) or adjustable-height (30-36 inch) backsplashes are available
  - Optional black knob kit is included with the range
  - Star-K certification allows Monogram ranges to operate in Sabbath mode

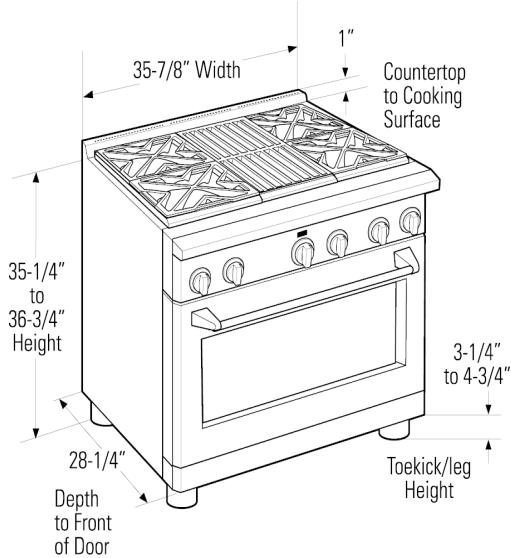
*To locate a GE Monogram dealer, call 1-800-626-2000*

---

# GE Monogram® 36" Dual-Fuel Professional Range with 4 Burners and Griddle (Liquid Propane)



Model# ZDP364LDPSS



## APPROXIMATE DIMENSIONS (HxDxW)

- 35 1/4 in x 28 1/4 in x 35 7/8 in

## CAPACITY

- Main Oven Capacity 5.75 cu ft

## CUSTOM OPTION and ACCESSORIES

GE Monogram® Professional 30"- 36" Adjustable Backsplash with Warming Shelf	ZXADJB36PSS
GE Monogram® 12" Professional Backsplash	ZX12B36PSS

To purchase related parts and accessories, call 1-866-775-4557

## WARRANTY

- **Parts Warranty** - Limited 2-year entire appliance  
Limited 5-year gas surface burners  
Limited lifetime of oven racks
- **Labor Warranty** - Limited 2-year entire appliance
- **Warranty Notes** - For models produced on or after January 1, 2006  
See written warranty for full details

To locate a GE Monogram dealer, call 1-800-626-2000