

# GE Monogram® 30" Dual-Fuel Professional Range with 4 Burners (Liquid Propane)



Model# ZDP304LPSS



- Authentic Professional appearance with premium-grade, 304 stainless steel with smoothly finished edges and large electronic control knobs
- Sealed, dual-flame stacked burners deliver a full spectrum of heat settings, from an ultra-low 140° F simmer to an intense 18,000 BTUs
- Monogram Professional oven system combines European, Reverse-Air convection technology and six heating elements to provide superb baking results
- LED task lights below the bullnose provide a functional and theatrical touch
- Electronic ignition with automatic reignition ensures a continuous flame and reignites automatically if accidentally extinguished
- Reversible burner grates are flat on one side and uniquely contoured on the other to accommodate round-bottom woks
- Halogen light columns provide a clear view, regardless of rack position
- Large temperature and time displays make it easy to monitor cooking progress
- Optional full-width stainless steel toekick is included with the range
- Optional fixed (12 inch) or adjustable-height (30-36 inch) backsplashes are available
- Optional black knob kit is included with the range
- Star-K certification allows Monogram ranges to operate

## FEATURES

3-Piece reversible (flat/wok) grates	Porcelainized Cast Iron
Configuration	4 Burners
Convection Bake	Yes
Convection Broil	Yes
Convection Roast	Yes
Cooking System	True European, Reverse Air Convection
Cooktop Burners	4 Sealed, Dual Flame Stacked
Delay Clean Option	Yes
Digital Temperature Display	with Timer Display
Fuel Configuration - Oven	Electric Convection
Fuel Type	Liquid Propane Gas (factory set)
Ignition System	Electronic w/Auto Reignition
Oven Interior	Self-Cleaning
Oven Meat Probe	Automatic
"On" Indicator Light	Buner "On"
140 Deg. Simmer Burner	All Burners - Adjustable
Certified Sabbath Mode	Yes
Proof Mode	Yes
Automatic Self-Clean Oven Door Lock	Yes
Cleaning Time	5 Hours
Convection Roasting Rack	Yes
Lighting	LED Bullnose Task Lighting
Rack Positions	5
Interior Oven Light - Main Oven	Halogen Light Columns (6 Lamps)
Oven Racks	3 Self-Cleaning, Full-Extension
Broiler Pan	1

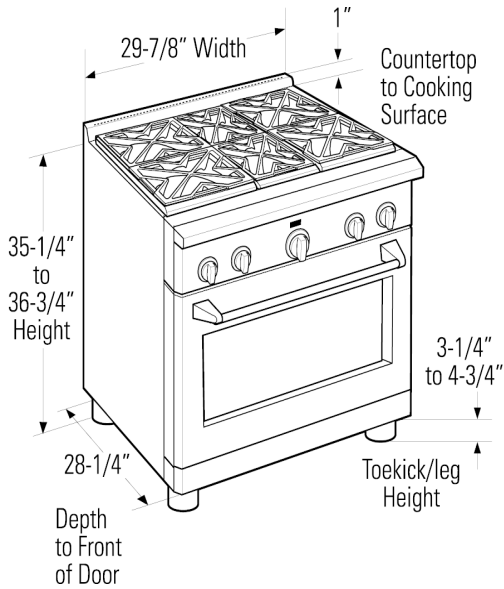
in Sabbath mode

To locate a GE Monogram dealer, call 1-800-626-2000

# GE Monogram® 30" Dual-Fuel Professional Range with 4 Burners (Liquid Propane)



Model# ZDP304LPSS



## APPROXIMATE DIMENSIONS (HxDxW)

- 35 1/4 in x 28 1/4 in x 29 7/8 in

## CAPACITY

- Main Oven Capacity 5.30 cu ft

## CUSTOM OPTION and ACCESSORIES

GE Monogram® Professional 30"- 36" Adjustable Backsplash with Warming Shelf	ZXADJB30PSS
GE Monogram® 12" Professional Backsplash	ZX12B30PSS

To purchase related parts and accessories, call 1-866-775-4557

## WARRANTY

- **Parts Warranty** - Limited 2-year entire appliance  
Limited 5-year gas surface burners  
Limited lifetime of oven racks
- **Labor Warranty** - Limited 2-year entire appliance
- **Warranty Notes** - For models produced on or after January 1, 2006  
See written warranty for full details

To locate a GE Monogram dealer, call 1-800-626-2000