

GE Monogram® High Production, Large Capacity Automatic Icemaker



Model# ZDIC150WWW



FEATURES

Automatic Shut-Off	Yes
Clean Light	Yes
Drop-Down Door	Yes
Electronic Controls	with LED Display
Ice Scoop	Yes
Interior Lighting	Yes
Number of Cycles	On / Off / Clean
ADA Compliant	Yes

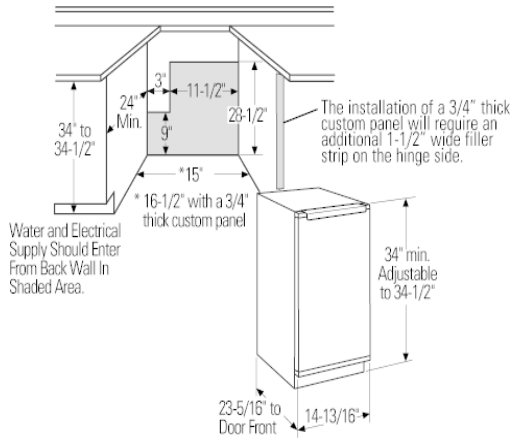
- Hidden Electronic Controls - Allow for a fully integrated look
- Clean Sensor with LED Indicator
- Lighted Bin with Ice Scoop
- Reversible Door
- Daily Ice Production up to 50 lbs
- Water Level Sensor

To locate a GE Monogram dealer, call 1-800-626-2000

GE Monogram® High Production, Large Capacity Automatic Icemaker



Model# ZDIC150WWW



APPROXIMATE DIMENTIONS (HxDxW)

- 34 1/2 in x 23 5/16 in x 14 13/16 in

CAPACITY

- Daily Ice Production 50 lb
- Storage Bin Capacity 25 lb

WARRANTY

- Parts Warranty - Limited 1-year entire appliance
Limited 5-year sealed refrigerating system
- Labor Warranty - Limited 1-year entire appliance
Limited 5-year sealed refrigerating system
- Warranty Notes - For models produced on or after
January 1, 2006
See written warranty for full details

To locate a GE Monogram dealer, call 1-800-626-2000