

GE Monogram® Undercounter Beverage Center with Liquid Crystal Window



Model# ZDBT240PBS



FEATURES

Adjustable Temperature Control	Yes
Digital Temperature Display	Yes, Fahrenheit
Electronic Controls	Upfront inlaid
Spillproof Glass Shelves	Yes
Full Extension Slides	Yes
Slide-Out Shelves	Yes
Tuckaway Shelf	Yes
Wine Racks	2 Half Size With Wood Fronts
Interior Lighting	Yes
Removable Slide-Out Shelves	2 Glass Spillproof, 1 Tuck-away
ADA Compliant	Yes

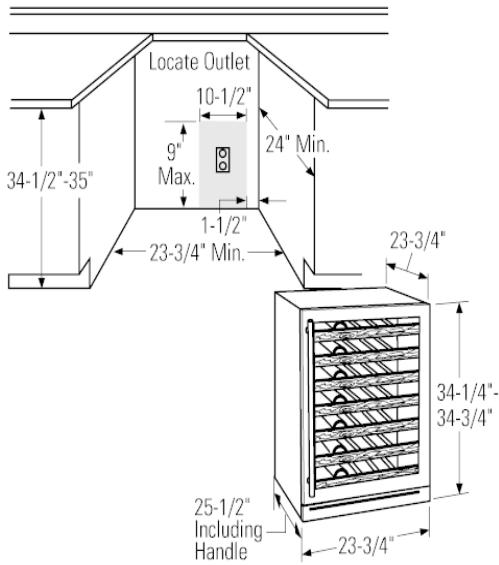
- Privacy glass - Innovative liquid-crystal technology allows you to turn glass from opaque to clear with a simple press of the button. Opaque setting conceals contents from view
- Adjustable Temperature Control - Maintains a consistent temperature
- LED Temperature Display - Allows you to monitor the temperature at a glance
- Beverage Shelf on Full-Extension Slides - Holds up to five wine bottles or ten 12-oz. cans
- Unfinished heart-of-cherry wood shelf fronts - Can be finished to complement surrounding cabinetry
- Removable Spillproof Glass Shelves - Helps contain spills for ease of cleaning
- QuickSpace™ Shelf - Quickly slides out of the way to make room for tall items
- Soft Interior Lighting - Automatically illuminates when the door is open, but can be activated by an internal on/off switch
- Stainless steel tubular handle - Designed to coordinate with other Monogram appliances
- Flush Installation - Allows near-seamless integration with surrounding cabinetry
- QuickSpace™ Shelf - Slides out of the way to make room for tall items

To locate a GE Monogram dealer, call 1-800-626-2000

GE Monogram® Undercounter Beverage Center with Liquid Crystal Window



Model# ZDBT240PBS



APPROXIMATE DIMENSIONS (HxDxW)

- 34 1/2 in x 23 3/4 in x 23 3/4 in

CAPACITY

- Capacity 126 12 oz. Cans/10 wine bottles
- Total Capacity (cubic feet) 5.50 cu ft

WARRANTY

- Parts Warranty - Limited 1-year entire appliance
Limited 5-year sealed refrigerating system
- Labor Warranty - Limited 1-year entire appliance
Limited 5-year sealed refrigerating system
- Warranty Notes - For models produced on or after
January 1, 2006
See written warranty for full details

To locate a GE Monogram dealer, call 1-800-626-2000