



24" ADA-HEIGHT COMPLIANT SERIES
Wine Reserve



ecofriendly
R600a Refrigerant



JOB	
AREA	
ITEM NO.	
MODEL NO.	



Glass Door Model



Solid Door Model

MODELS	DESCRIPTION
HA24WB-4-1R/L	Indoor ADA-Height Compliant Wine Reserve Solid Stainless Steel Door
HA24WB-4-2R/L	Indoor ADA-Height Compliant Wine Reserve Solid Panel Ready Door
HA24WB-4-3R/L	Indoor ADA-Height Compliant Wine Reserve Stainless Steel Glass Door
HA24WB-4-4R/L	Indoor ADA-Height Compliant Wine Reserve Panel Ready Glass Door

KEY PRODUCT FEATURES AND BENEFITS

- Industry's largest selection of ADA-height compliant models for accessible and aging in place designs
- 800 BTU/hr capacity delivers commercial grade cooling performance
- Variable speed compressor minimizes sound; up to 30% quieter than competitors
- Commercial-grade all stainless steel interior provides superior durability and easy cleaning; black vinyl exterior for built in applications
- Wine shelves fully extend on vibration dampened, stainless steel ball-bearing glides; stainless steel wine shelves will not absorb odors over time

Quick Features:

- Industry's best full 6 year warranty for owner ease of mind
- Available with stainless steel or panel ready door to match your design style
- Audible door alarm warns user if door is held open
- Selectable blue or white LED lighting
- R600a Natural Refrigerant offers maximum energy efficiency with zero ozone depletion potential
- Storage for up to 32 bottles of wine



24" ADA-HEIGHT COMPLIANT SERIES
Wine Reserve

MODEL NUMBERS		HA24WB
MODEL DESCRIPTION		24" Indoor ADA-Height Compliant Wine Reserve
ATTRIBUTES		
Perlick Anti-Condensation System		NO
OVERALL DIMENSIONS	Width - in. (mm)	23-7/8" (606 mm.)
	Depth - in. (mm)	24" (610 mm.)
	Height - in. (mm)	32" (813 mm.)
OPENING DIMENSIONS	Width - in. (mm)	24" (610 mm.)
	Depth - in. (mm)	24-7/8" (632 mm.)
	Height - in. (mm)	32-1/4" (819 mm.)
INTERNAL VOLUME Net. Cu. Ft.		4.8 cu. ft total
SHIPPING WEIGHT Lbs. (kg.)		181 lbs (82.27 kg)
ELECTRICAL SPECIFICATIONS	Electrical Supply	115 VAC/60 Hz/1 Ph
	Running Load Amps	2.2 amps
	Electrical Connection	Cord connected
	Cord Plug Type	NEMA 3 Prong 5-15P
	Cord Length	6'
	Defrost Initiation	Automatic
	Defrost Type	Off cycle
	Thermostat	Digital
REFRIGERATION SPECIFICATIONS	Lighting Type	LED
	Refrigerant	R600a (50g)
	Expansion Device	Capillary Tube
	Temperature Settings F°(C°)	45° (7.2°) - 65° (18.3°) Factory Set Point 36° (2.2°)
	Heat Rejection (at 75°F)	450 BTU/hr
	Pull Down Capacity	800 BTU/hr
Front Vented	Yes	
PLUMBING		None Required

Installation Notes: To achieve 24" install depth, place electrical connection adjacent to the installation cavity.

ACCESSORIES

MODEL NOS.	DESCRIPTION
(L)	Factory Installed Lock
67164	6" Toe Kick Kit (includes riser) for HA24 models
66736	Caster Kit for HP24/HC24/HA24 models

Perlick accessories are available for purchase through an authorized Perlick dealer. For a full list of accessories and to find a dealer near you, visit perlick.com.

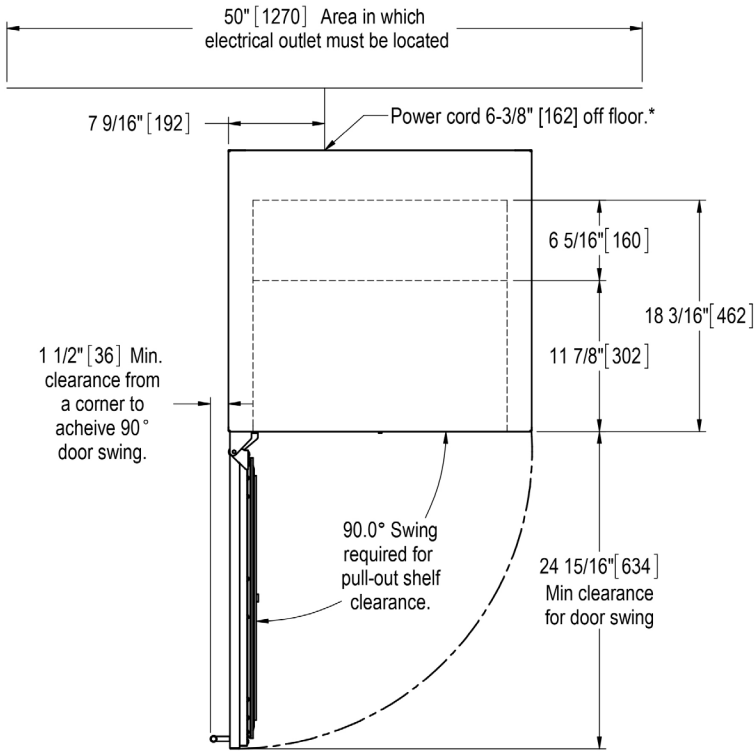


24" ADA-HEIGHT COMPLIANT SERIES
Wine Reserve

CUSTOMER MODEL NUMBER	REGULATORY MODEL NUMBER	Hinge Side	Lock
HA24WB-4-1L	HA24WB4F-00-SLS0W	Left	No
HA24WB-4-1R	HA24WB4F-00-SRS0W	Right	No
HA24WB-4-2L	HA24WB4F-00-PL00W	Left	No
HA24WB-4-2R	HA24WB4F-00-PR00W	Right	No
HA24WB-4-3L	HA24WB4F-00-TLS0W	Left	No
HA24WB-4-3R	HA24WB4F-00-TRS0W	Right	No
HA24WB-4-4L	HA24WB4F-00-RL00W	Left	No
HA24WB-4-4R	HA24WB4F-00-RR00W	Right	No
HA24WB-4-1LL	HA24WB4F-00-SLSLW	Left	Yes
HA24WB-4-1RL	HA24WB4F-00-SRSLW	Right	Yes
HA24WB-4-2LL	HA24WB4F-00-PL0LW	Left	Yes
HA24WB-4-2RL	HA24WB4F-00-PR0LW	Right	Yes
HA24WB-4-3LL	HA24WB4F-00-TLSLW	Left	Yes
HA24WB-4-3RL	HA24WB4F-00-TRSLW	Right	Yes
HA24WB-4-4LL	HA24WB4F-00-RL0LW	Left	Yes
HA24WB-4-4RL	HA24WB4F-00-RR0LW	Right	Yes



24" ADA-HEIGHT COMPLIANT SERIES
Wine Reserve



* - Leg levelers can add 3/4" [19] to these dimensions when fully extended.

