



XOVW_SC
WALL MOUNT HOOD

HOW BEAUTIFUL KITCHENS BREATHE



XOVW_SC

- 3 Speed Electronic Control
- Powerful, Precision Balanced Blower
- High Efficiency 3000K LED Lights
- 5 Minute Delay Function

POWERFUL 600CFM - DESIGNED AND CRAFTED IN ITALY

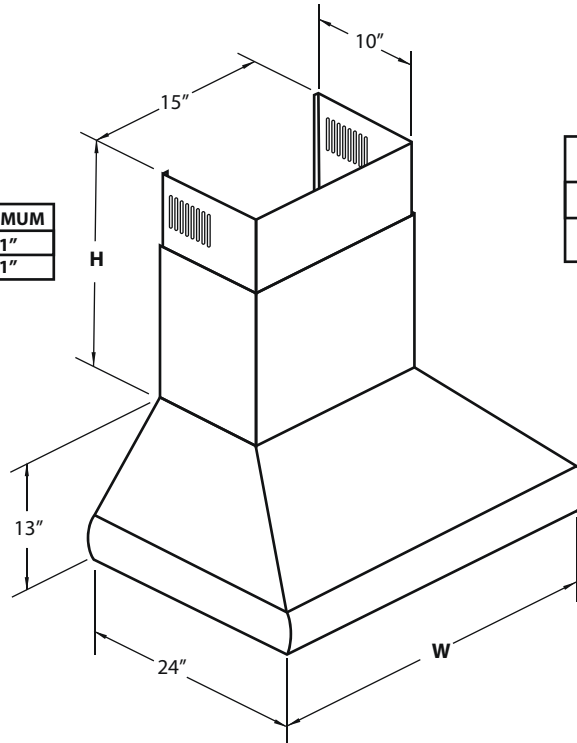
The XOVW makes a statement with its strong profile, angled stainless steel pro baffle filters and brilliant LED lighting. Equipped with a 395 | 600 CFM blower its 24" deep canopy is ready to handle your most challenging ventilation requirements. Designed and fabricated in Italy for a peerless fit and finish.

At XO, we believe that a good design is something everyone can afford

WORLD CLASS SERVICE | COMPREHENSIVE WARRANTIES
OUR LASTING COMMITMENT TO YOU



"H"	MINIMUM	MAXIMUM
DUCTED	16"	31"
RECIRCULATING	20"	31"



MODEL	"W"
XOVW36SC	36"
XOVW48SC	48"



FEATURES

FINISH

Stainless Steel

FEATURES

- Electronic 3 Speed Control + Power Boost
- CCC Code Compliance Control - 395 or 600 CFM
- High Efficiency 3000K LED lights (x2)
- High Velocity Blower optimally removes Smoke, Grease and Odors
- Dishwasher Safe Stainless Steel Pro Baffle Filters
- 6" Vertical Duct or Recirculating (Kit Sold Separately)
- 5 Minute Delay Shutoff Timer
- Standard Chimney fits ceilings up to 8' tall
- Made In Italy
- Two Year In-Home Parts and Labor Warranty

PERFORMANCE

SPEED	1	2	3	BOOST
CFM	150	250	395	600
SONES	1.0	2.4	4.0	6.4

SPECIFICATIONS

ELECTRICAL 120V 60HZ 3.6 AMP

DIMENSIONS

H MAX 31" - MIN 20" (Recirc)
MAX 31" - MIN 16" (Vented)

W 36" - 48"
D 24"

(Refer to illustration above)

MOUNTING HEIGHT

ABOVE COOKING 27" - 32"

OPTIONS

Recirculation Kit
Recirculation Carbon Filter
6" Make-Up Air Kit

XORFK04
XORFRND
XOMA06

RECOMMENDED MOUNTING HEIGHT

All range hoods have a recommended range of installation height over the cooking surface. However cooking styles, types of cooking equipment and installation limitations can vary greatly. For installations outside the recommended range - consult XO.

THESE MODELS HAVE A 6" DIAMETER EXHAUST DUCT

RECIRCULATION

Recirculation of the exhaust is an option. This requires the purchase of a kit (XORFK04) sold separately. Located in the duct cover are vent slots which will return the exhaust to the living space. Never discharge the exhaust into a confined space such as a soffit, attic, garage, crawl space or the voids between walls.



HOW DOES CODE COMPLIANCE CONTROL HELP -



CODE COMPLIANCE CONTROL (CCC) enables the installer to re-program the hood as it is being installed. **Your XO Hood is set to operate at 600 CFM maximum at the factory.**

Re-programming is accomplished quickly and requires no special tools or additional parts but once done, the air flow rate is limited to a maximum of 395 CFM below the 400 CFM cap that most local codes impose eliminating the need for additional controls.

Re-programming also disables the Power Boost function. After conversion, the installer affixes a label stating the unit has been converted to 395 CFM max. Once done, the unit cannot be changed back.

If your application calls for a make-up air solution, XO gives you more choices.