



XOU24WDZGO\_  
UNDERCOUNTER WINE COOLER  
DUAL ZONE  
GLASS OVERLAY



Zero clearance hinges  
for a flush installation

Fully extending telescoping  
racks cushion your bottles

Intuitive digital touch controls  
for two temperature zones

## 24" UNDERCOUNTER WINE COOLER with OVERLAY FRAME DOOR

Keep 16 bottles ready to serve in the upper zone at 41° to 50° while you store 30 bottles in the lower zone at 50° to 64°.

This elegant, efficient wine storage and serving center is the perfect choice for convenient entertaining. Both red and white wines are close at hand with this quiet, undercounter unit. The XO Dual Zone Wine Cooler gives you the best of both worlds.

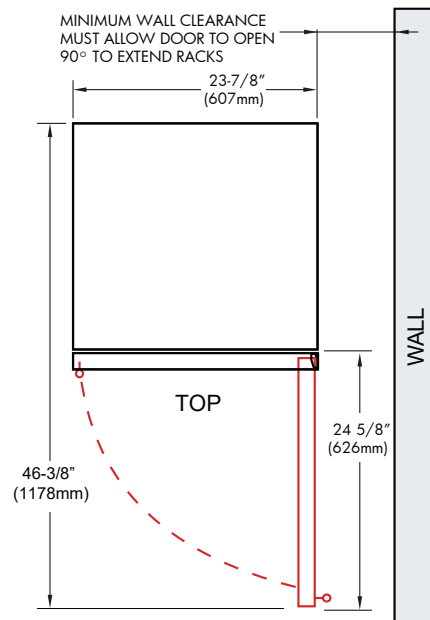
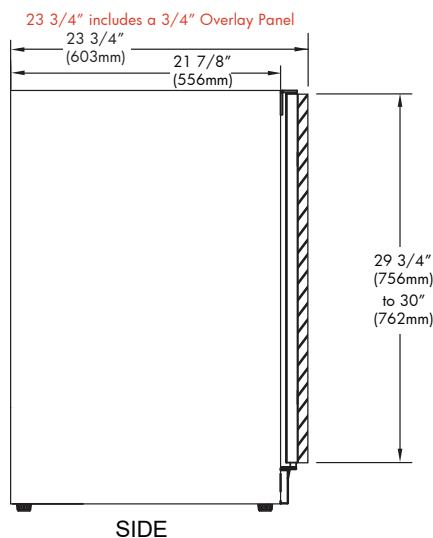
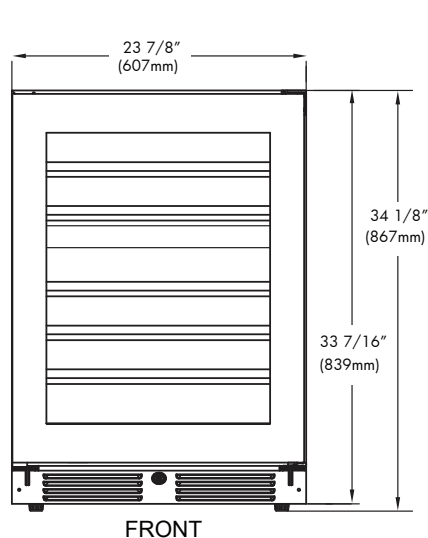
When it is all about the wine - it is all about XO.

WORLD CLASS SERVICE | COMPREHENSIVE WARRANTIES

OUR LASTING COMMITMENT TO YOU



\*Specify **R** for right hand hinge - or - **L** for left hand hinge



**FEATURES**

**CAPACITY**

Full extension smooth glide racks hold:  
 (16) 750ml bottles upper section at 41° to 50° F  
 (30) 750ml bottles lower section at 50° to 64° F

**FEATURES**

- Zero clearance hinges for flush integration\*
- Secure door lock
- Non- reversible door - specify right or left hinge
- Library quiet 39 dBA operation
- Elegant tri-color interior illumination
- Intuitive digital touch controls
- 6-1/2' Power Cord with low profile 90° flat plug
- Low E Glass blocks harmful UV light
- Alarm Functions
- Energy Saver and Sabbath Mode

\* Note: zero clearance hinges are visible just above and below the door panel

**SPECIFICATIONS**

|                    |                                 |
|--------------------|---------------------------------|
| <b>ELECTRICAL</b>  | 120V 60HZ 4.35 AMP*             |
| <b>DIMENSIONS</b>  | H 34 1/8"                       |
|                    | W 23 7/8"                       |
|                    | D 23 3/4" (w 3/4" finish panel) |
| <b>ROUGH IN</b>    | H 34 1/4" min                   |
|                    | W 24"                           |
|                    | D 24"                           |
| <b>REFRIGERANT</b> | R600A                           |

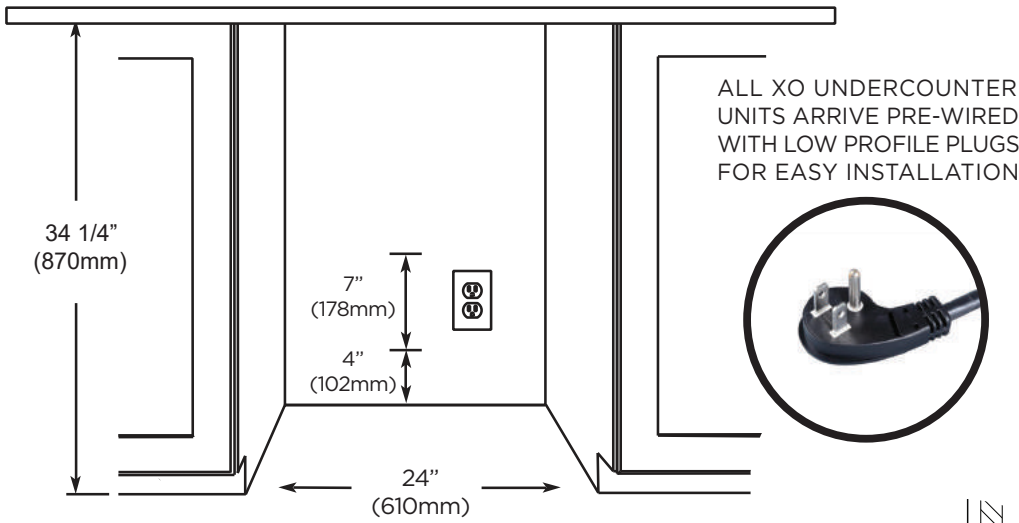


Watch the Video on YouTube  
 CLICK ON THE IMAGE

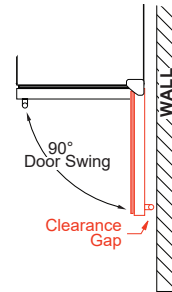
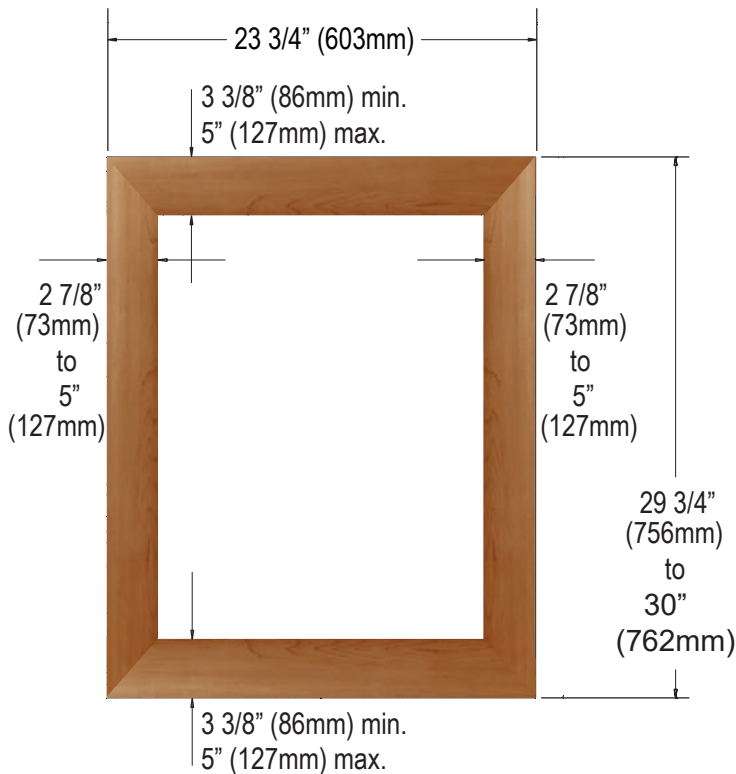


XO is exclusively distributed by  
 EASTERN MARKETING CORP.  
 24 Eisenhower Parkway  
 Roseland, NJ 07068

ROUGH IN DIMENSIONS

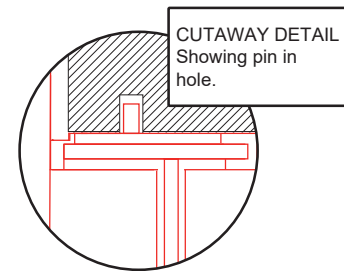


OVERLAY FRAME DIMENSIONS



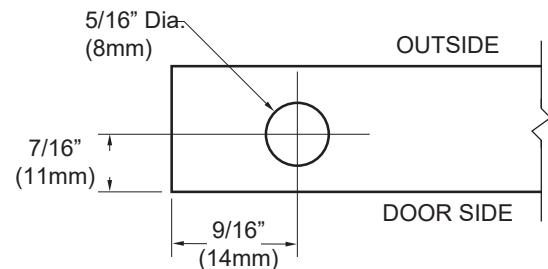
WHEN INSTALLING WITH THE HINGE SIDE NEXT TO A WALL - LEAVE ADEQUATE SPACE FOR CABINET HANDLES

DOOR MUST BE ABLE TO OPEN A MINIMUM OF 90°.



TO ACCOMMODATE THE HINGE PINS ON THE HINGE SIDE OF THE PANEL Drill a hole at least 5/16" in diameter and 1" deep into the top and bottom of the frame in the location shown.

9/16" in from the edge and 7/16" out from the unfinished side facing the door.



THE DOOR STOP IS SET AT 110° BUT CAN BE RESET TO 90° OR 140°.

IF THE DOOR CANNOT OPEN FULLY YOU CANNOT EXTEND THE RACKS.

