



**XOU24WDZGB**

24" DUAL-ZONE WINE COOLER

LIFESTYLE REFRIGERATION



**XOU24WDZGB**

- Fully Extending Wine Racks
- Tri-Color Interior LED Lighting
- Intuitive Digital Touch Controls for Two Temperature Zones

24" UNDERCOUNTER DUAL ZONE WINE COOLER

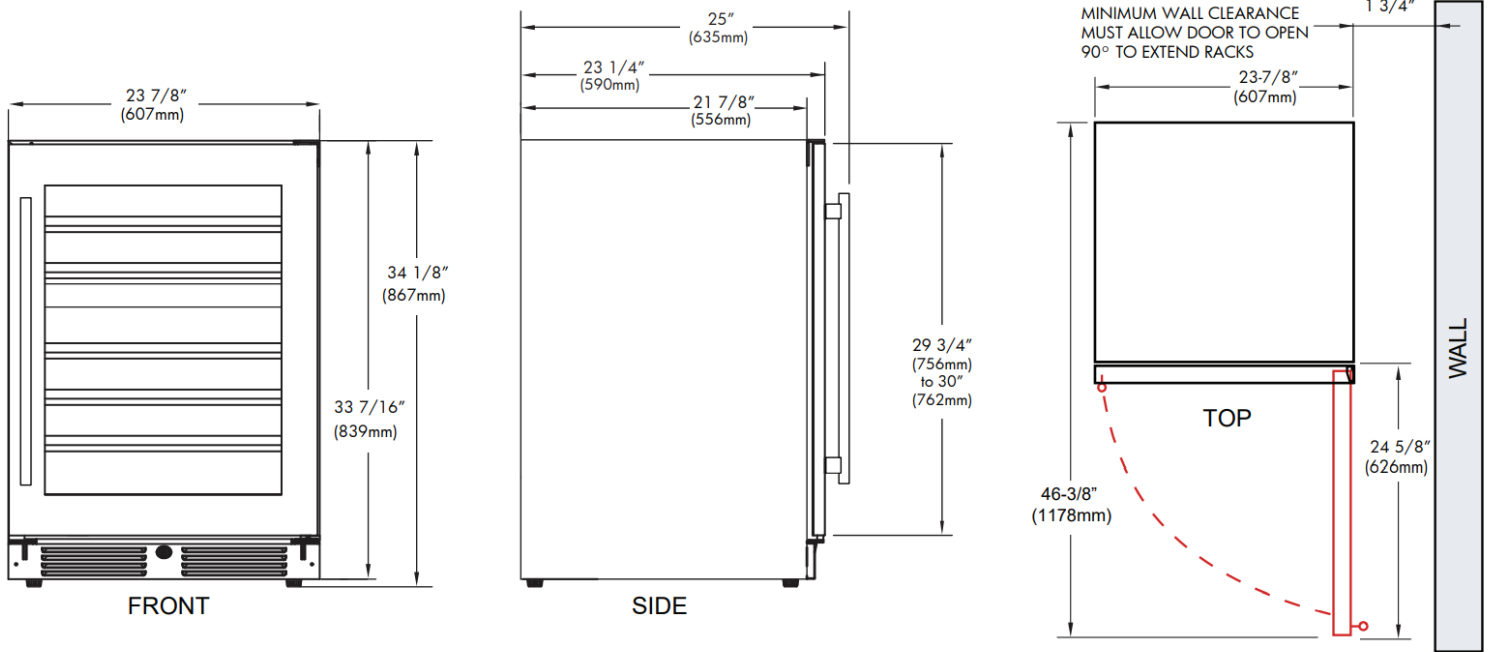
Keep 16 bottles ready to serve in the upper zone at 41° to 50° while you store 30 bottles in the lower zone at 50° to 64°. This elegant, efficient wine storage and serving center is the perfect choice for convenient entertaining. Both red and white wines are close at hand with this quiet, undercounter unit.

The XO Dual Zone Wine Cooler gives you the best of both worlds.

WORLD CLASS SERVICE | COMPREHENSIVE WARRANTIES

OUR LASTING COMMITMENT TO YOU

\*Specify **R** for right hand hinge - or - **L** for left hand hinge



## FEATURES

## SPECIFICATIONS

### CAPACITY

Full extension smooth glide racks hold:  
 (16) 750ml bottles upper section at 41° to 50° F  
 (30) 750ml bottles lower section at 50° to 64° F

### FEATURES

- Secure door lock
- 2 Styles of Handles Included
- Non- reversible door - specify right or left hinge
- Library quiet 39 dBA operation
- Elegant tri-color interior illumination
- Intuitive digital touch controls
- 6-1/2' Power Cord with low profile 90 flat plug
- Low E Glass blocks harmful UV light
- Alarm Functions
- Energy Saver and Sabbath Mode

**ELECTRICAL** 120V 60HZ 4.35 AMP\*

**DIMENSIONS**  
 H 34 1/8"  
 W 23 7/8"  
 D 23 1/4"

**ROUGH IN**  
 H 34 1/4" min  
 W 24"  
 D 24"

**REFRIGERANT** R600A

**WEIGHT** 149 lbs

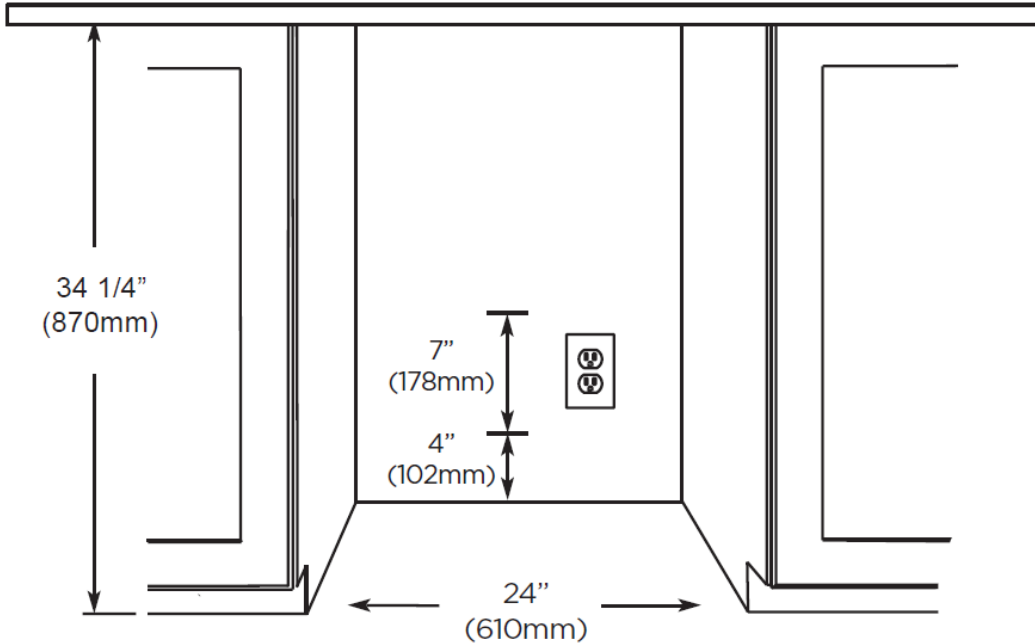


Two Different Style Handles Included

**NEW**

Optional Modern Design Flat Handle

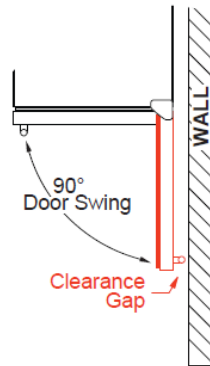
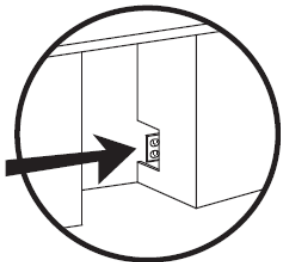
## ROUGH IN DIMENSIONS



ALL XO UNDERCOUNTER UNITS ARRIVE PRE-WIRED WITH LOW PROFILE PLUGS FOR EASY INSTALLATION



NEED MORE SPACE - CUT INTO AN ADJOINING CABINET TO REACH AN OUTLET THERE



WHEN INSTALLING WITH THE HINGE SIDE NEXT TO A WALL - LEAVE 1-3/4" CLEARANCE GAP FOR CABINET HANDLES

DOOR MUST BE ABLE TO OPEN A MINIMUM OF 90°.

THE DOOR STOP IS SET AT 110° BUT CAN BE RESET TO 90° OR 140°.

IF THE DOOR CANNOT OPEN FULLY YOU CANNOT EXTEND THE SHELVES.

CONSULT THE MANUAL FOR INSTRUCTIONS ON CHANGING THE DOOR STOP SETTING.