

# XO

EASY TO STORE  
EASY TO FIND

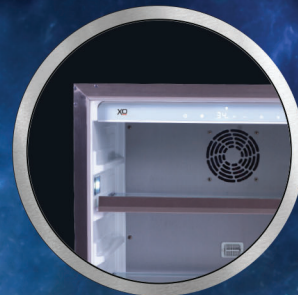
## XOU24ORS

### OUTDOOR REFRIGERATOR

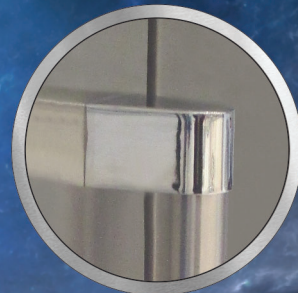
OUTDOOR



Clear glass shelves extend to reveal their contents.



Intuitive Touch Control Panel



Optional Pro Style handle included

STORE UP TO 145 (12oz) CANS - READY TO SERVE AT 34° to 50° F  
AND STILL FIND JUST WHAT YOU ARE LOOKING FOR

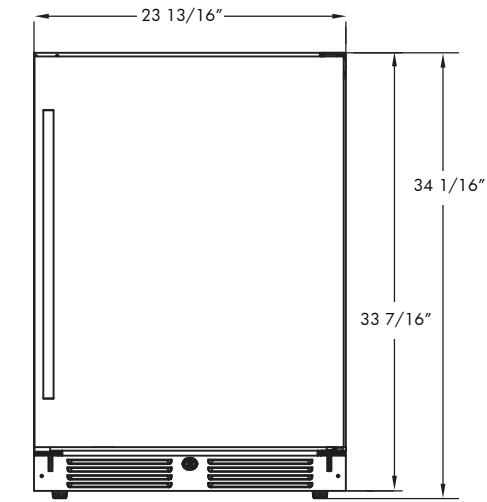
Your XO Outdoor refrigerator comes with clear glass shelves that extend making it easier to find what you are looking for. The durable stainless steel finish, white interior and handle options provide the perfect compliment to your outdoor kitchen.

[www.xoappliance.com](http://www.xoappliance.com)

MODEL: XOU24ORS\_\*

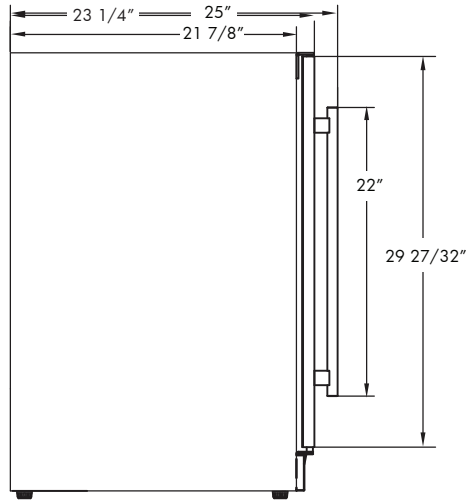
# 24" OUTDOOR REFRIGERATOR

\*Specify **R** for right hand hinge - or - **L** for left hand hinge

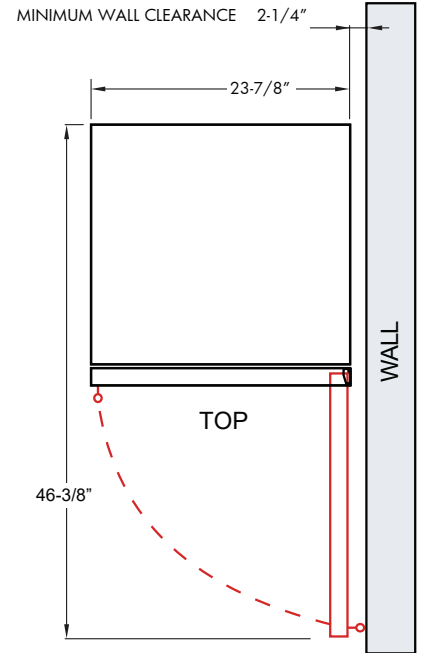


FRONT

RIGHT HAND HINGE MODEL SHOWN



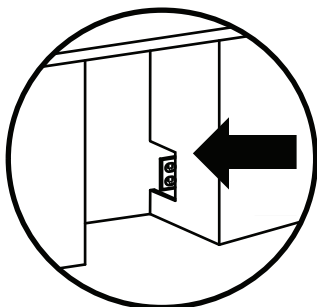
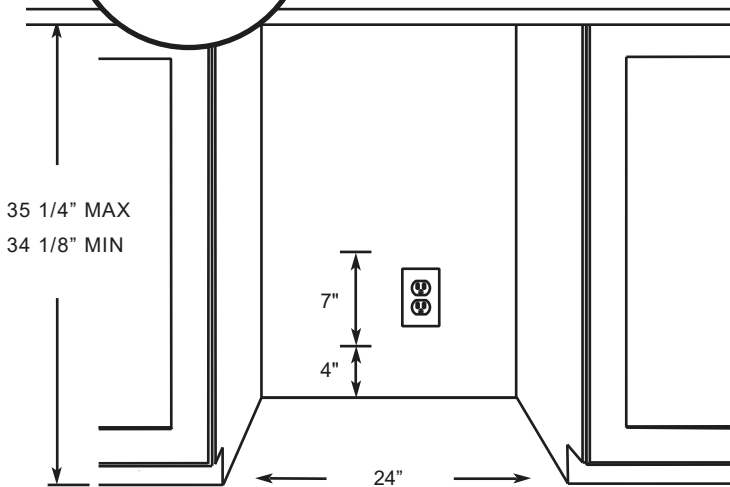
SIDE



## ROUGH-IN



THE 6' FLAT PLUG POWER CORD SUPPLIED ON YOUR XO WINE COOLER ENSURES AN EASY FLUSH INSTALLATION



TIP: IN TIGHT INSTALLATIONS CUT THROUGH AN ADJACENT CABINET WALL TO REACH AN OUTLET INSTALLED THERE

## SPECIFICATIONS

<b>Size</b>	24"
<b>Dimensions</b>	23 7/8"W x 34 1/8"H x 23 1/4"D
<b>Installation Type</b>	Built-in / Freestanding
<b>Refrigerant Type</b>	R600a
<b>Electrical</b>	115V 60Hz 1.5A USE DEDICATED 15A CIRCUIT
<b>Temperature Range</b>	34° - 50° F HOLDS UP TO (145) 12oz CANS

**IMPORTANT: THIS UNIT MUST BE PLUGGED INTO A GROUND FAULT INTERRUPTER (GFI) OUTLET CONSULT A LICENSED ELECTRICIAN TO ENSURE THE UNIT IS PROPERLY GROUNDED.**

**INCLUDES BOTH Stainless Steel Designer and Pro Style Handles**



**XO** the next level in luxury appliances  
www.xoappliance.com

XO is exclusively distributed through EASTERN MARKETING CORP.  
24 Eisenhower Parkway, Roseland, NJ 07068  
p. 973.403.8900



## NOW THAT'S COLD

ICY COLD BEVERAGES - NO PROBLEM.  
EASILY ADJUST TEMPERATURE TO SUIT YOUR  
PREFERENCES WITH THE DIGITAL CONTROL PANEL.



## NO ADMITTANCE

SECURE DOOR LOCKS HELP KEEP UNINVITED GUESTS OUT.



## YOU HAVE TO BE THIS TALL...

WITH 15 DIFFERENT SHELF HEIGHT ADJUSTMENTS STORING  
YOUR FAVORITE BEVERAGES IS SIMPLE AND BECAUSE THE  
CLEAR GLASS SHELVES FULLY EXTEND WHILE LOADED -  
EVERYTHING IS EASY TO FIND.



## FAN CLUB

FILTERED, CONDITIONED AIR IS CIRCULATED TO HELP ENSURE  
A STABLE, UNIFORM TEMPERATURE.



**SELECTABLE INTERIOR  
LED LIGHTING IN:**  
THEATER WHITE  
MIDNIGHT BLUE  
HONEY AMBER

## LEDS ARE COOL

COOL RUNNING INTERIOR LEDES DRAMATICALLY ILLUMINATE YOUR  
BOTTLES WHILE SAVING ENERGY.



## YOUR FAVORITE BAR

YOUR XO REFRIGERATOR COMES WITH BOTH THE STAINLESS  
STEEL DESIGNER HANDLE AND PRO STYLE HANDLE -  
YOU CHOOSE.

## XO HAS THE BEST WARRANTIES AND SERVICE...



For 90 days, all our products  
are backed by our unique  
Love It or Leave It Guarantee

