



XOU15BCOF

15" FULL PANEL OVERLAY UNDERCOUNTER
BEVERAGE CENTER

LUXURY LIFESTYLE REFRIGERATION



XOU15BCOF

- Glass Shelves Fully Extend While Loaded
- Tri-Color LED Interior Lighting
- Secure Door Lock
- Shelves Adjust To 15 Different Positions

15" UNDERCOUNTER BEVERAGE CENTER w/OVERLAY FRAME DOOR

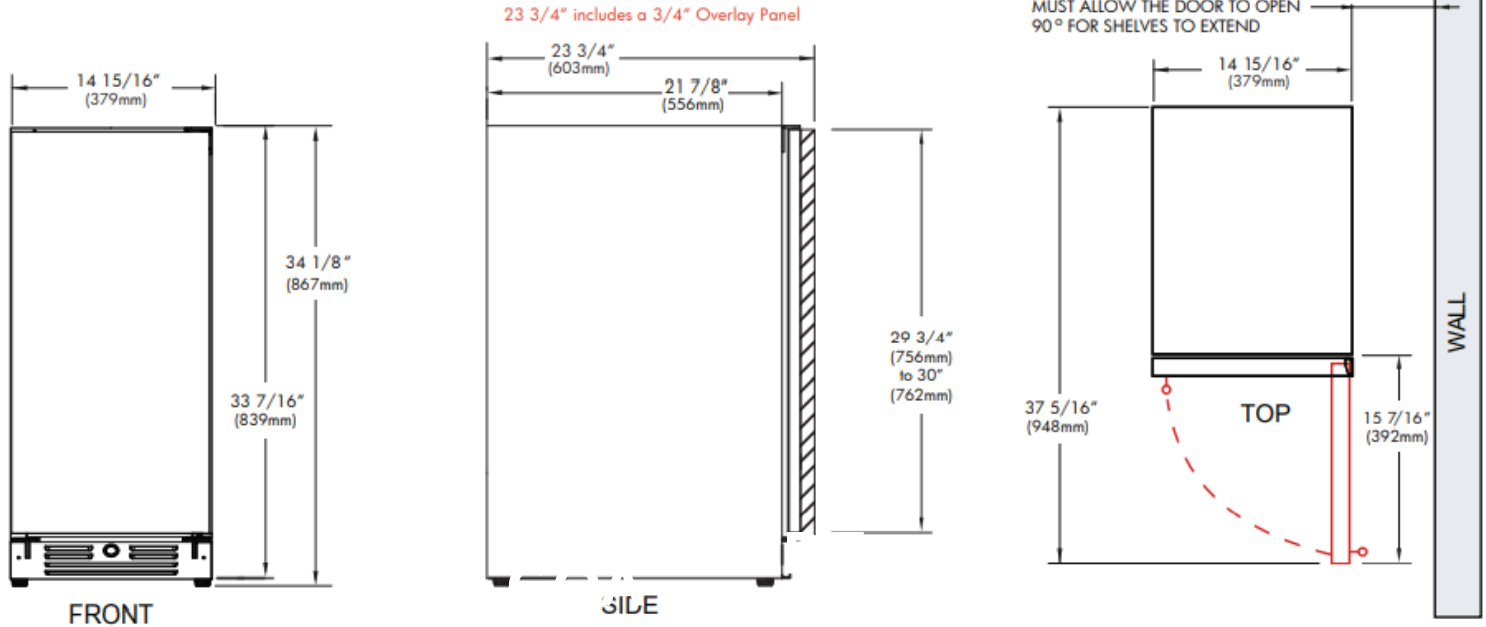
Store up to 66 (12oz) cans at a frosty 34° to 50° F and still find just what you are looking for. The clear glass shelves fully extend while fully loaded enabling you to see the entire contents at a glance. No more fumbling around or emptying the unit to find what you want.

And because beverages come in all shapes and sizes, the shelves of your XO beverage center can quickly adjust to 15 different positions.

WORLD CLASS SERVICE | COMPREHENSIVE WARRANTIES

OUR LASTING COMMITMENT TO YOU

*Specify **R** for right hand hinge - or - **L** for left hand hinge



FEATURES

CAPACITY

Full extension clear glass shelves hold:
(66) 12oz cans at 34 ° to 50°F

FEATURES

- Zero clearance hinges for flush integration*
- Secure door lock
- Non-reversible door - specify right or left hinge
- Library quiet 39 dBA operation
- Elegant tri-color interior illumination
- Removable 3 bottle wine rack
- Intuitive digital touch controls
- 6 1/2' Power Cord with low profile 90° flat plug
- Low E Glass blocks harmful UV light
- Alarm Functions
- Energy Saver and Sabbath Mode

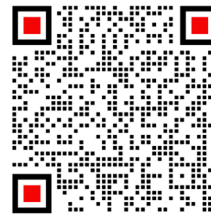
* Note: zero clearance hinges are visible just above and below the door panel

XO the next level
in luxury appliances

xoappliance.com | 800.966.8300

SPECIFICATIONS

ELECTRICAL	120V 60HZ 4.35 AMP*
DIMENSIONS	H 34 1/8" W 14 15/16" D 23 3/4" (w 3/4" finish panel)
ROUGH IN	H 34 1/4" min W 15" D 24"
REFRIGERANT	R600A



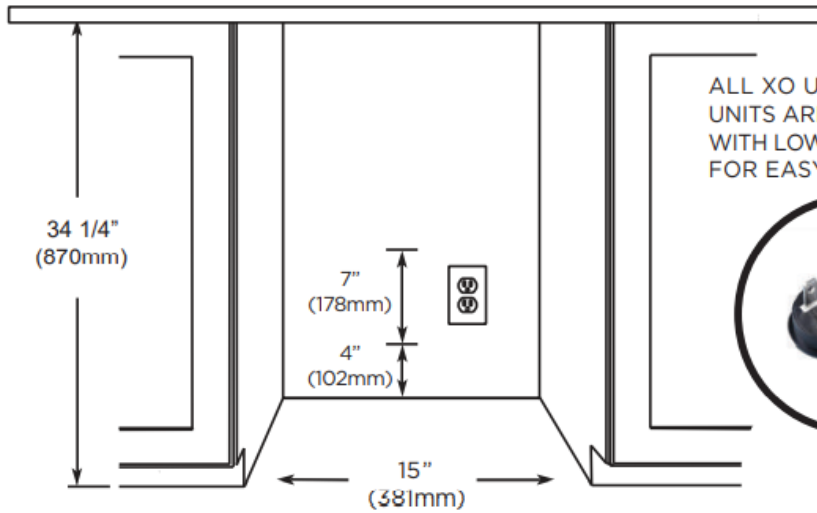
Scan the QR Code to see the installation video.



XO is exclusively distributed by
EASTERN MARKETING CORP.
24 Eisenhower Parkway
Roseland, N.J. 07068

ROUGH-IN DIMENSIONS

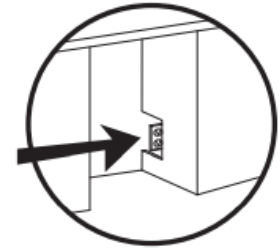
ROUGH IN DIMENSIONS



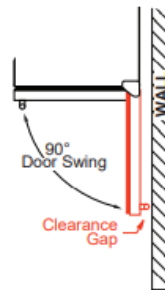
ALL XO UNDERCOUNTER UNITS ARRIVE PRE-WIRED WITH LOW PROFILE PLUGS FOR EASY INSTALLATION



NEED MORE SPACE - CUT INTO AN ADJOINING CABINET TO REACH AN OUTLET THERE

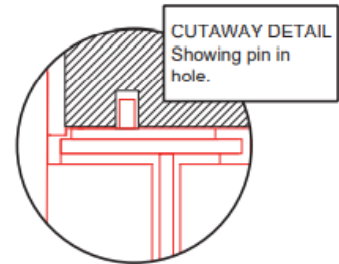


OVERLAY FRAME DIMENSIONS



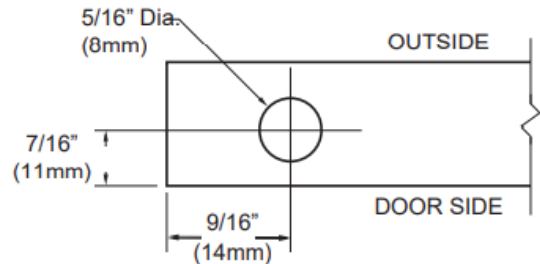
WHEN INSTALLING WITH THE HINGE SIDE NEXT TO A WALL - LEAVE ADEQUATE SPACE FOR CABINET HANDLES

DOOR MUST BE ABLE TO OPEN A MINIMUM OF 90°.



TO ACCOMMODATE THE HINGE PINS ON THE HINGE SIDE OF THE PANEL Drill a hole at least 5/16" in diameter and 1" deep into the top and bottom of the frame in the location shown.

9/16" in from the edge and 7/16" out from the unfinished side facing the door.



THE DOOR STOP IS SET AT 110° BUT CAN BE RESET TO 90° OR 140°.

IF THE DOOR CANNOT OPEN FULLY YOU CANNOT EXTEND THE RACKS.

XO the next level in luxury appliances

xoappliance.com | 800.966.8300