



## KITCHEN VENTILATION SYSTEMS



Wall Mount Hood

### XOTK

The XOTK exemplifies the classic American Pro Hood design. This high performance under cabinet hood includes baffle filters. Our superior quality materials and workmanship make this hood a standout among the rest. As with all XO ventilation a recirculation kit is also available.



# XOTK Spec Sheet

Wall Mount Hood

**2** YEAR  
PARTS & LABOR  
WARRANTY

**Model:** XOT48KS - XOT1836KS - XOT1848KS

**Sizes:** 36" - 48" **Depth:** 22"

## Features and Benefits:

- 1000 CFM high velocity blower optimally removes Smoke, Grease and Odors.
- 3 speed push button controls.
- **XOT1836KS:** Two 50W Halogen Lights - Provide brilliant illumination over the cooking surface.
- **XOT48KS - XOT1848KS:** Three 50W Halogen Lights Provide brilliant illumination over the cooking surface.
- Dimensions XOT1848KS - XOT1836KS: 36" or 48" x 22" D x 18" Tall.
- Dimensions XOT48KS: 48" x 22" D x 11" Tall.
- Baffle Filters - Trap airborne smoke and grease particles. They can be easily be removed for dishwasher-safe cleaning.
- Mounting Height from cooking surface 27"-32".

## Duct Options and Electrical Requirements:

- Ductless Option for applications where no ducting is available
- **XOT48KS - XOT1848KS:** AC 120v-60Hz (6.6amp).
- **XOT1836KS:** AC 120v-60Hz (6.2amp).

## Options:

- Optional recirculation kit available
- 48" Model XOT48KS: XORFK09

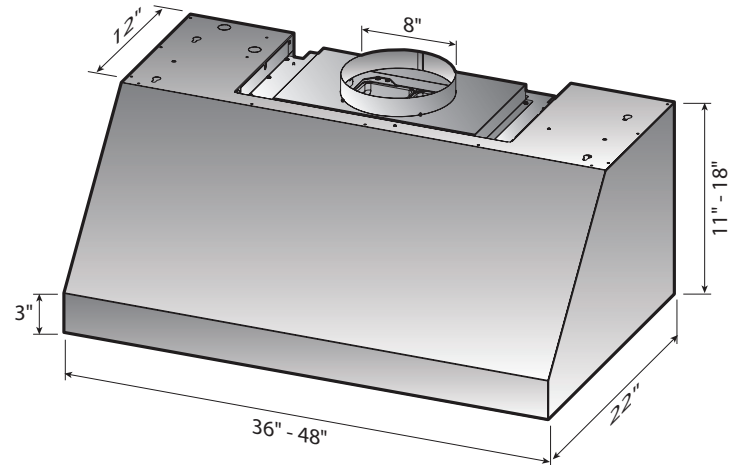


Photo below shown with recirculation kit.  
48" Model XOT48KS: total height 13-1/4"



# XO

www.xoappliance.com

XO is Exclusively Distributed by:  
Eastern Marketing Corp 24 Eisenhower Parkway Roseland,  
New Jersey 07068 800-966-8300  
www.easternmarketingcorp.com

All XO hoods are UL approved. 

DESIGNED & CRAFTED IN  
**ITALY**