

XO

KITCHEN VENTILATION SYSTEMS



XOM 800-570-3355 Wall Mount Hood

The XOM is a beautiful combination of glass and stainless steel. The curved design makes an elegant statement in any décor. Available in a wall mount or island mount (XOMI). At XO we believe that good design is something everyone can afford.

XO

www.xoappliance.com

XOM Spec Sheet

Wall Mount Hood

2 YEAR
PARTS & LABOR
WARRANTY

Model: XOM30G, XOM36G

Sizes: 30", 36" **Depth:** 19 5/16"

Features and Benefits:

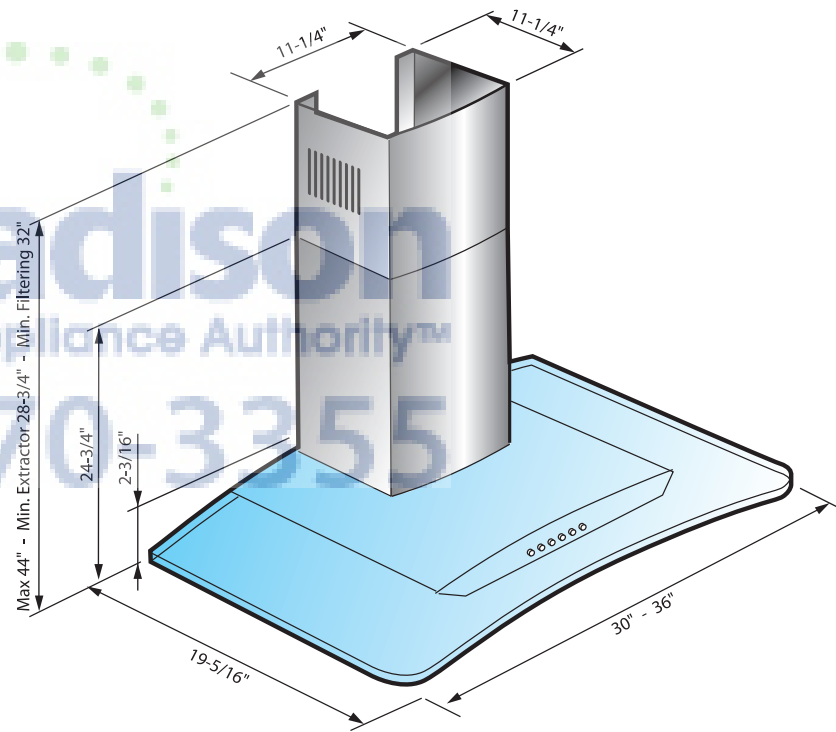
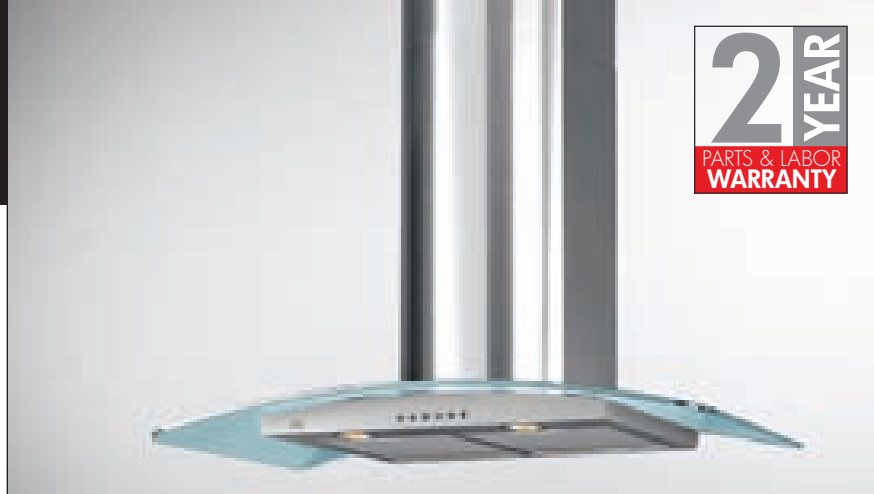
- 600 CFM high velocity blower optimally removes Smoke, Grease and Odors
- 3 speed electronic illuminated controls
- 15 Minute delay off
- Two 20 W Halogen Lights
- High quality Stainless Steel with incomparable handcrafted Italian finish
- Aluminum Mesh Filters - Trap airborne smoke and grease particles. They can be easily be removed for dishwasher-safe cleaning
- Standard Chimney fits ceilings up to 9 ft tall
- Mounting Height from cooking surface 27"-32"

Duct Options and Electrical Requirements:

- 6 inch duct required
- Ductless Option for applications where no ducting is available
- AC 115v—60hz (4amp)

Options:

- Optional duct cover extension is available for ceiling heights up to 10 ft tall
Model XOEDCM
- Optional recirculation kit available
Model XORFK01



XO

www.xoappliance.com

XO is Exclusively Distributed by:
Eastern Marketing Corp 24 Eisenhower Parkway Roseland,
New Jersey 07068 800-966-8300
www.easternmarketingcorp.com

All XO hoods are UL approved.

DESIGNED & CRAFTED IN
ITALY