

XO

KITCHEN VENTILATION SYSTEMS



Insert

XO13315KS

The XO1 insert is an integrated blower which allows you to match your custom hood to your kitchen. This simple and affordable design is easy to install. Designed and crafted in Italy for the ultimate in fit and finish. At XO we believe that good design is something everyone can afford.

XO

www.xoappliance.com



Model: XOI3315KS

Sizes: 33-3/4"

Depth: 15"

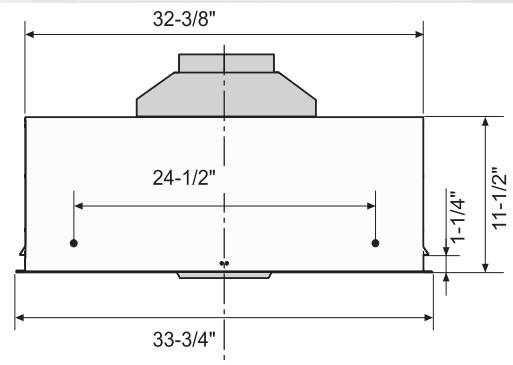
Features and Benefits:

- 1000 CFM high velocity blower optimally removes Smoke, Grease and Odors.
- 3 speed push button controls.
- Two 50W Halogen Lights - Provide brilliant illumination over the cooking surface.
- Dim: 33 3/4" W x 15" D x 11 1/2" T (16 3/8" T with discharge plenum)
Cut Out: 32 1/2" W x 13 1/32" D
- Baffle Filters - Trap airborne smoke and grease particles. They can be easily be removed for dishwasher-safe cleaning.
- Mounting Height from cooking surface 27"-32"
- Sound level 3.0 - 7.9 Sones

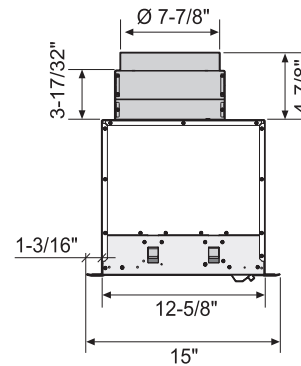
Duct Options and Electrical Requirements:

- 8 inch duct required.
- AC 120v-60Hz (6.2amp).

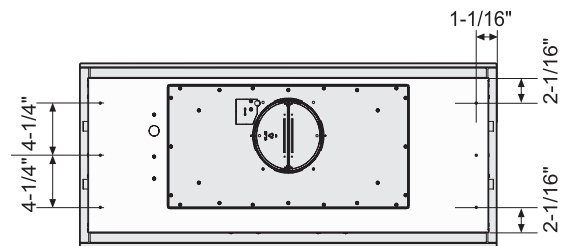
› Front of hood



› Side of hood



› Top of hood



WIDTH	DEPTH	CFM
34"	15"	1000

