



XOGV_S
1200 CFM EXHAUST HOOD

PUT SOME AWESOME IN YOUR BACKYARD



XOGV_S

- 304 Stainless steel exterior
- Two powerful blowers
- 33" depth - a must for proper capture
- Perfect for any grilling arrangement

POWERFUL PERFORMANCE

- Exhaust either vertically or horizontally through a 10-inch round duct
- Two powerful blowers capable of exhausting up to 1,200 CFM
- Four LED lamps brilliantly illuminate the cooking area
- Perfect for any grilling arrangement with top or rear discharge capabilities
- 33" depth (Most grill installs are 6" from non combustible wall)
- Seamless, hand-crafted welded edges ensure strength and durability
- 304 Stainless steel exterior is easy to keep clean and eliminates grease traps
- Commercial-grade, high luster baffle filters are attractive and long-lasting

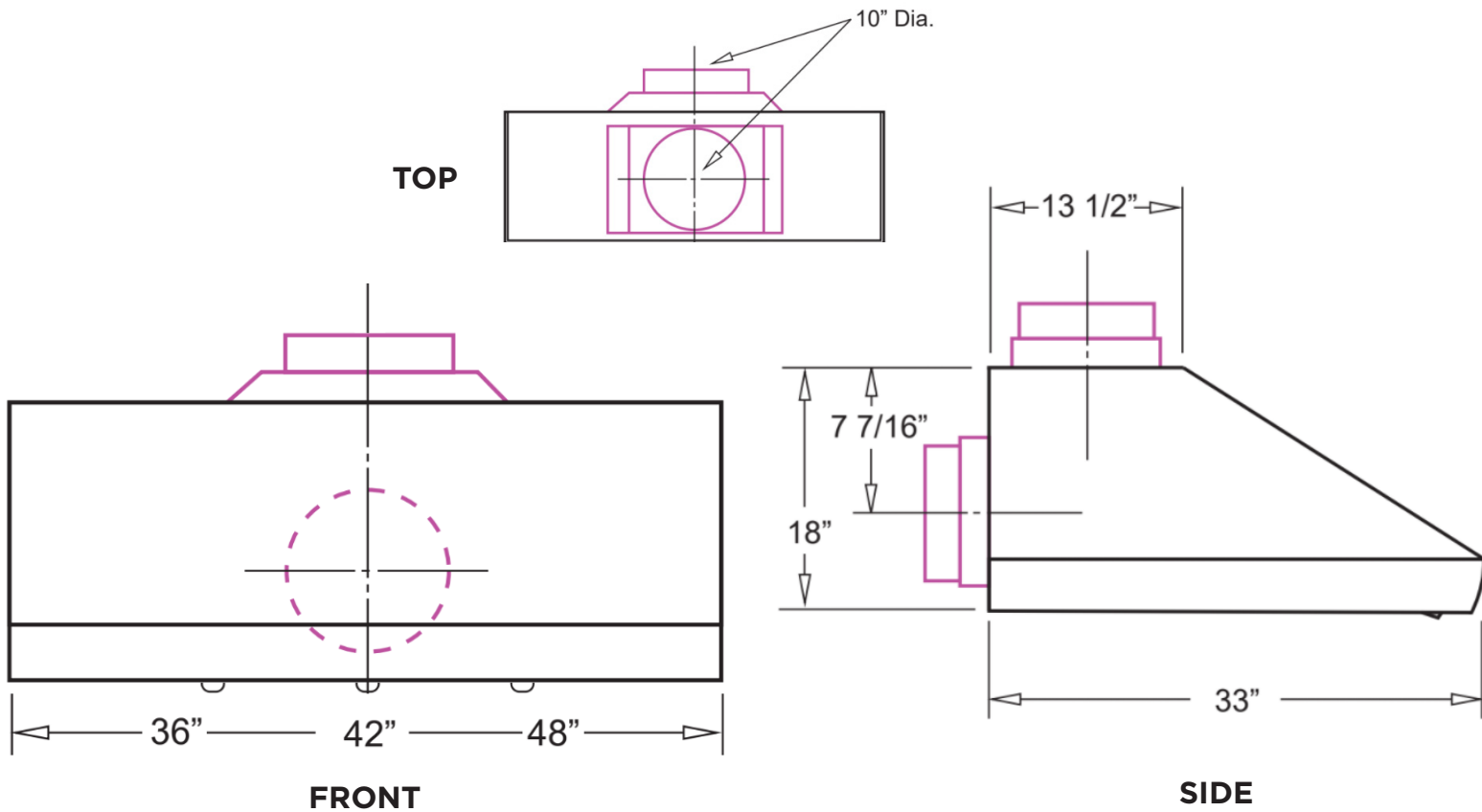
At XO, we believe that a good design is something everyone can afford

WORLD CLASS SERVICE | COMPREHENSIVE WARRANTIES

OUR LASTING COMMITMENT TO YOU



For 90 days, all our products are backed by our unique Love It or Leave It Guarantee*



FEATURES

FINISH

Stainless Steel

FEATURES

- Exhaust either vertically or horizontally through a 10-inch round duct
- Two powerful blowers capable of up to 1,200 CFM
- Four LED lamps brilliantly illuminate cooking area
- 33" depth - a must for proper capture (Most grill installs are 6" from non combustible wall)
- Seamless, hand-crafted welded edges ensure strength and durability
- 304 Stainless steel exterior
- Commercial-grade, high luster baffle filters

SPECIFICATIONS

ELECTRICAL 115VAC 60HZ 8.5 AMP

DIMENSIONS

H 18"

W 36", 42", 48"

D 33"

RECOMMENDED MOUNTING HEIGHT

ABOVE COOKING 30" - 42"

OPTIONS

36"Wx6"H Duct Cover	XOGV36X6DC
42"Wx6"H Duct Cover	XOGV42X6DC
48"Wx6"H Duct Cover	XOGV48X6DC
36"Wx12"H Duct Cover	XOGV36X12DC
42"Wx12"H Duct Cover	XOGV42X12DC
48"Wx12"H Duct Cover	XOGV48X12DC
Telescoping 28"Wx55"H	XOGV18TELDC

(2 Sections for ceiling height up to 11.5 ft)

CLEARANCE TO COMBUSTIBLE CONSTRUCTION:

- If installed under any combustible construction the area above the cooking surface of the grill must be covered with an approved exhaust hood.
- It is highly recommended the hood be sized with a 3" overhang on all exposed sides.
- The exhaust hood shall provide no less than 1,200 CFM of proper exhaust ventilation.
- The exhaust hood must be approved for outdoor installation and used with a dedicated GFCI branch circuit.

