



XOGSIDEBXLT
PUT SOME AWESOME IN YOUR BACKYARD

XLT TWIN SIDE BURNER



XOGSIDEBXLT

- More Power In Less Counter Space
- Two 12,000 BTU Burners
- Elegant LED Control Lights

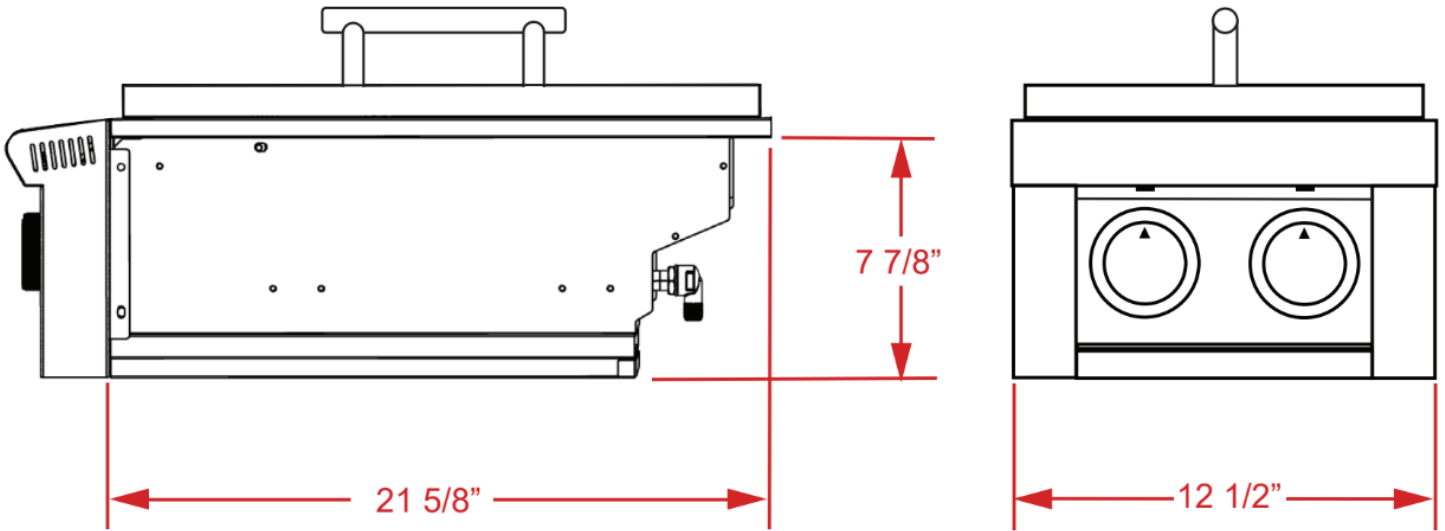
YOUR XO PERFORMANCE SIDE BURNER

Side dishes make the meal and with two 12,000 BTU burners at your disposal - your grill time will never miss a beat. This XO quality accessory for your outdoor kitchen is ready to deliver. Crafted from high quality stainless steel to provide years of service - the XOGSIDEBXLT is the perfect way to keep things bubbling while minding the grill.

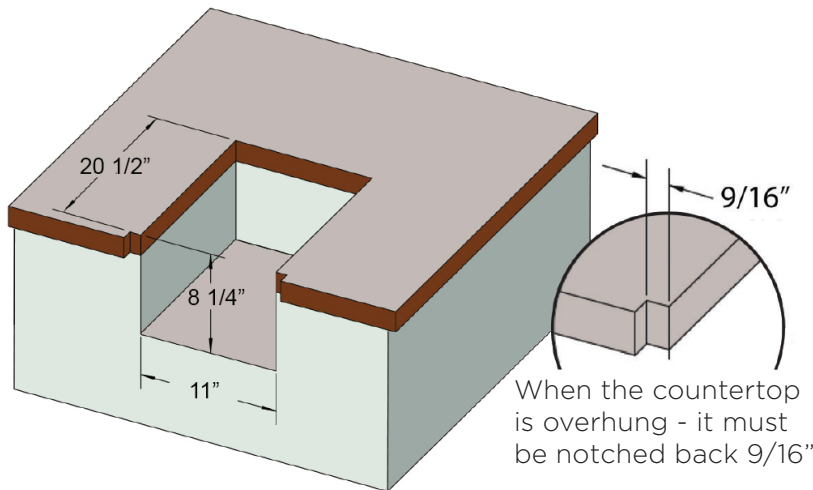
WORLD CLASS SERVICE | COMPREHENSIVE WARRANTIES

OUR LASTING COMMITMENT TO YOU

*Specify **N** for Natural Gas, **L** for Liquid Propane



BUILD-IN CUT OUT



When installing, observe all clearances between the burner and adjacent structures as detailed in the Operating and Instruction Manual.

Failure to do so may create a serious risk of fire or injury.

SPECIFICATIONS

- SIZE:** 13"
- DIMENSIONS:** 7 7/8"H x 21 5/8"D x 12 1/2"W
- INSTALL TYPE:** Built-in
- FUEL:** Natural Gas or Propane
- BURNERS:**
 - Twin Ring Design
 - Front Ring 12,000 BTU
 - Rear Ring 12,000 BTU
 - Total: 24,000 BTU
- ELECTRICAL:** 115V (for lighting)