



# XOGRILL40XLT + XOG40CARTXLT

40" PERFORMANCE FREESTANDING GRILL

PUT SOME AWESOME IN YOUR BACKYARD



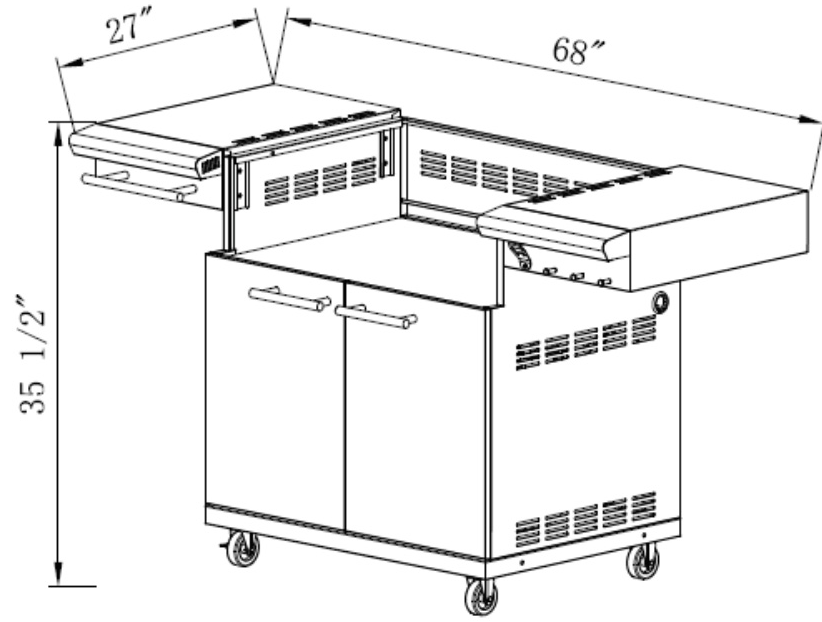
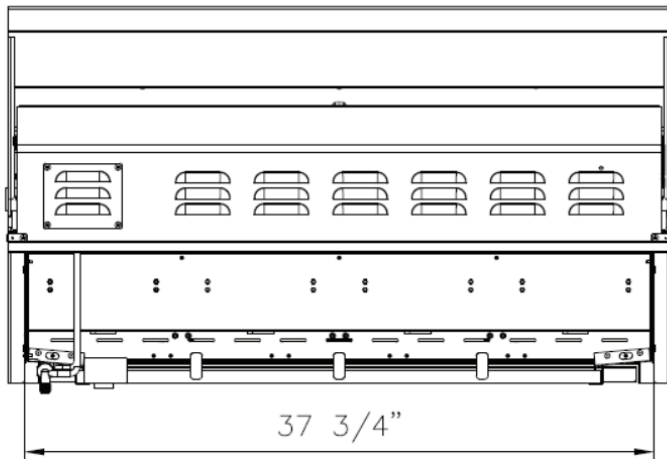
**XOGRILL40XLT**

Family. Good friends. Great food. The sizzle and sear of your XO grill on a warm summer evening. These are the building blocks of memories. That's why our premium appliance experience and the learning from over 25 years of working with customers has gone into the design of every XO grill.

- 68,000 BTUS of Awesome Power
- (4) Heavy Duty Tubular Stainless Steel Burners
- Full coverage stainless steel flame tamer plates protect burners and add flavor
- Reliable Flame Thrower Ignition (ignites without electricity)
- Brilliant interior Halogen lighting
- Blue LEDs illuminate the controls and dramatically accent your entertaining
- Easy to read temperature gauge
- Spring Top Lid Opens Effortlessly
- InfraRed rear burner for use with optional rotisserie
- Generous capacity - 897 sq. inches of cooking surface (670 primary, 227 secondary)
- Cooking Zones with removable dividers enable different temperatures side by side
- Heavy duty, stainless steel grates hold the heat for strong grill marks
- Top rack provides baking and roasting area - swings up when not in use

WORLD CLASS SERVICE | COMPREHENSIVE WARRANTIES

OUR LASTING COMMITMENT TO YOU



## XOGRILL40XLT | 40" GRILL HEAD

- Full coverage stainless steel flame tamer plates protect burners and add flavor
- Reliable Flame Thrower Ignition
- Brilliant interior Halogen lighting
- Blue LEDs illuminate the controls
- Capacity 897 sq. inches of cooking surface (670 primary, 227 secondary)

**SIZE** 40"

**DIMENSIONS** 39 1/2"W x 25 3/4"D x 21 1/4"H

**INSTALLATION TYPE** Built-in / Freestanding

**FUEL** Specify Natural Gas or Propane

**BURNERS** (4) Cast Stainless Steel Burners combine to provide **68,000 BTUs of power!**

**ELECTRICAL** 115V (for lighting)

### OPTIONAL ACCESSORIES

Grill Cover: **MODEL: XOGCOVER32FS**

## XOG40CARTXLT | 40" GRILL CART

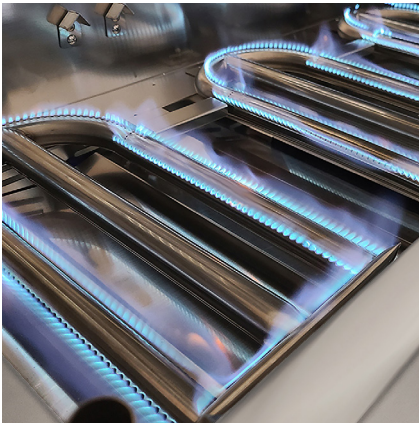
- Stainless Steel Construction
- Soft Close Doors
- Sturdy Fold Down Shelves
- Heavy Duty Casters
- Locking Casters on front
- Utensil Hangers
- Easy Modular Assembly

**DIMENSIONS** 68"W x 27"D x 35 1/2"H

### IMPORTANT NOTE:

CARTS ARE SHIPPED UNASSEMBLED IN A FLAT PACK. ASSEMBLY TAKES APPROX. 40 MIN. AND REQUIRES SIMPLE HAND TOOLS. TO LEARN MORE ABOUT ASSEMBLY PLEASE VISIT OUR WEBSITE.

## XOGRILL40XLT PRODUCT FEATURES



### ALL WELDED STAINLESS

BUILT TO LAST - SEAMLESS WELDED AND POLISHED STAINLESS STEEL



### STAINLESS STEEL BURNERS

LIFETIME WARRANTIED STAINLESS STEEL BURNERS, EACH DELIVER UP TO 17,000 BTUs



### INTEGRATED ILLUMINATION

LEDS DRAMATICALLY ACCENT YOUR ENTERTAINING



### UPPER RACK FLIPS UP TO STORE

PROVIDES BAKING AND ROASTING AREA - FOLDS UP WHEN NOT IN USE



### OPTIONAL ROTISSERIE SYSTEM

INFRARED ROTISSERIE BURNER FOR INDIRECT COOKING



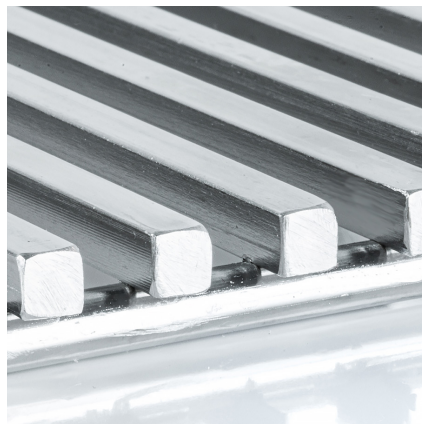
### SS FLAME TAMERS

FORMED STAINLESS STEEL FLAME TAMERS ENABLE RAPID HEAT UP, GUARD THE BURNERS AND VAPORIZE DRIPPINGS



### BUILT-IN THERMOMETER

EASY TO READ TEMPERATURE GAUGE



### WELDED GRATES

HEAVY DUTY 304 STAINLESS GRATES HOLD HEAT FOR STRONG GRILL MARKS



### RELIABLE FLAME IGNITION

POSITIVE IGNITION WITHOUT AN ELECTRICAL CONNECTION

## XOGCART40XLT PRODUCT FEATURES



### STURDY FOLD-DOWN SHELVES

CONVENIENT HEAVY DUTY SHELVES  
FOLD DOWN OUT OF THE WAY.



### HEAVY DUTY CASTERS

INCLUDES SWIVEL CASTER SETS, TWO  
LOCKING AND TWO STANDARD FOR  
MOBILE USE



### CONVENIENT TOWEL BAR

FOR QUICK CLEAN UPS



### CONVENIENT UTENSIL HANGERS

KEEP YOUR TOOLS IN EASY REACH



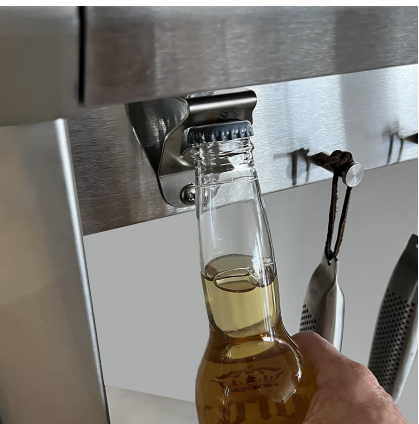
### BOLT ON SIDE BURNER

SEAMLESS MODULAR ADD ON DOUBLE  
SIDE BURNER AND CART



### BRONZE HINGE PIN BEARING

SMOOTH OPERATING DOORS



### BUILT-IN BOTTLE OPENER

RIGHT WHERE YOU NEED IT



### STAINLESS STEEL CONSTRUCTION

BUILT TO LAST



### QUICK & EASY ASSEMBLY

SIMPLE HAND TOOLS - ASSEMBLES IN  
AS LITTLE AS 40 MINUTES