



XOGRILL32XLT

PERFORMANCE 32" BUILT-IN GRILL HEAD

PUT SOME AWESOME IN YOUR BACKYARD

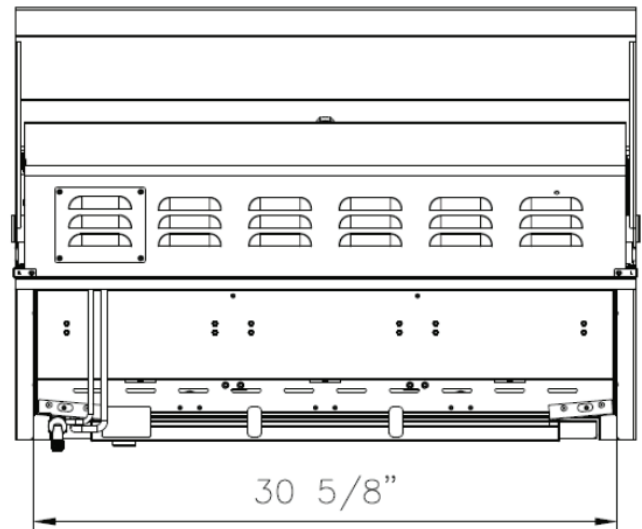
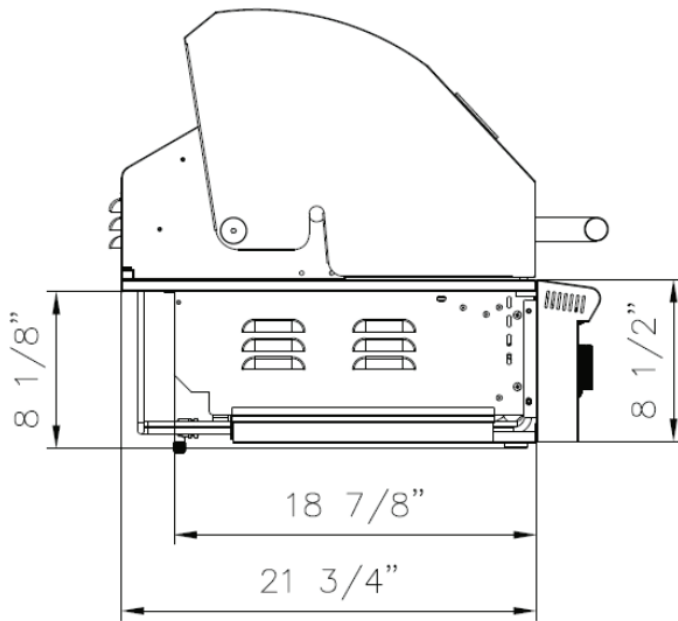


XOGRILL32XLT

Family. Good friends. Great food. The sizzle and sear of your XO grill on a warm summer evening. These are the building blocks of memories. That's why our premium appliance experience and the learning from over 25 years of working with customers has gone into the design of every XO grill.

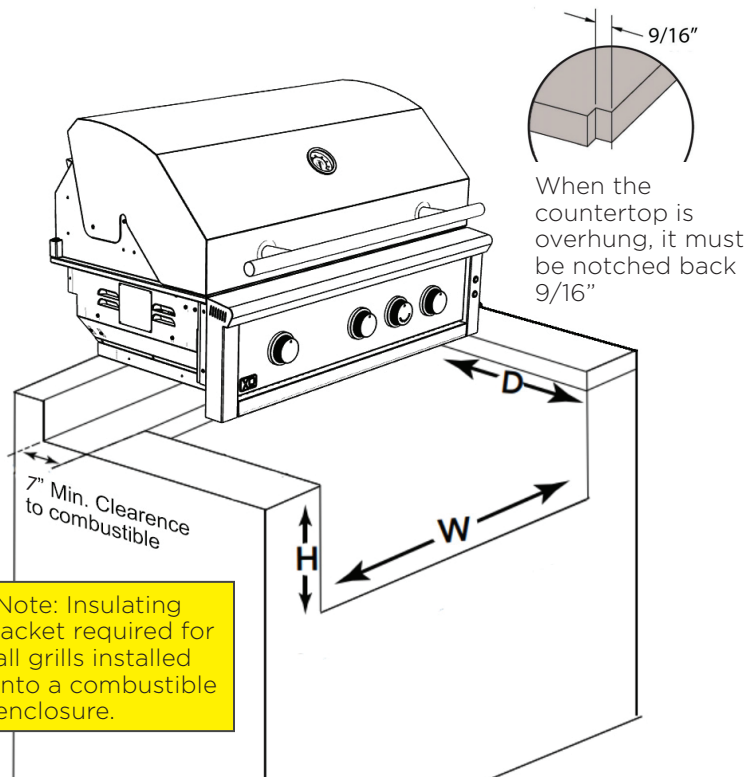
- 51,000 BTUS of Awesome Power
 - (3) Heavy Duty Tubular Stainless Steel Burners
 - Full coverage stainless steel flame tamer plates protect burners and add flavor
- Reliable Flame Thrower Ignition (ignites without electricity)
- Brilliant interior Halogen lighting
- Blue LEDs illuminate the controls and dramatically accent your entertaining
- Easy to read temperature gauge
- Spring Top Lid Opens Effortlessly
- InfraRed rear burner for use with optional rotisserie
- Generous capacity - 696 sq. inches of cooking surface (530 primary, 166 secondary)
- Cooking Zones with removable dividers enable different temperatures side by side
- Heavy duty, stainless steel grates hold the heat for strong grill marks
- Top rack provides baking and roasting area - swings up when not in use

WORLD CLASS SERVICE | COMPREHENSIVE WARRANTIES
OUR LASTING COMMITMENT TO YOU



BUILT-IN CUT OUT

SPECIFICATIONS



Note: Insulating jacket required for all grills installed into a combustible enclosure.

SIZE 32"

DIMENSIONS 32 1/2"W x 25 3/4"D x 21 1/4"H

INSTALLATION TYPE Built-in or Freestanding with optional cart

FUEL

Specify Natural Gas or Propane. For NG, XO recommends using 3/4" gas lines.

BURNERS

(3) Heavy Duty Tubular SS Burners combine to provide **51,000 BTUs of power!**

GRILLING SURFACE (SQ.IN.)

Primary	Secondary	Total
530	166	696

ELECTRICAL

Installation requires an outdoor 120v GFI electrical outlet adjacent to product

BUILT IN GRILL CUT OUT DIMENSIONS

	Width = W	Height = H	Depth = D
XOGRILL32XLT	30 5/8"	8 1/2"	21 1/4"
XOGRILL32XLT w/Insulated Jacket	33 1/8"	9 1/2"	21 7/8"

POPULAR PERFORMANCE GRILL OPTIONS BUILT-IN

BUILT-IN ACCESS & STORAGE

BEAUTIFULLY CRAFTED, WELDED AND POLISHED EUROPEAN CABINET DOOR HINGES ENABLE YOU TO ADJUST AND ALIGN THE DOORS. DRAWERS HAVE SMOOTH OPERATING SLIDES FOR EASY OPERATION WHEN LOADED. TWO STYLES AVAILABLE.



XOG32DDXLT



XO32COMBOXLT

INSULATED GRILL LINER

STAINLESS STEEL INSULATED JACKET DESIGNED FOR INSTALLATIONS WHERE COMBUSTIBLE MATERIALS WERE USED IN THE CONSTRUCTION OF THE OUTDOOR KITCHEN SUCH AS FRAMING OR SURFACE TREATMENTS. USE OF AN INSULATED LINER CAN EXPAND YOUR DESIGN AND FINISH OPTIONS.



XOG32JACKETXLT

ROTISSERIE KIT

TAKE ADVANTAGE OF THE REAR INFRARED BURNER INSTALLED IN YOUR GRILL WITH OUR POPULAR OPTIONAL ROTISSERIE. THE KIT INCLUDES AN OUTDOOR RATED MOTOR, SPIT, POULTRY FORKS, COUNTERWEIGHT AND NECESSARY MOUNTING HARDWARE. ADDING A ROTISSERIE ENABLES YOU TO SLOW ROAST WHOLE CHICKENS, PORK LOIN, BEEF OR LAMB ROASTS AND MUCH MORE RIGHT ON YOUR GRILL.



XOROTIS32XLT

TWIN SIDE BURNER

DESIGNED TO COMPLIMENT YOUR GRILL, THIS CONVENIENT UNIT ALLOWS YOU TO KEEP SIDE DISHES COOKING CLOSE AT HAND WHILE YOU ARE GRILLING. TWO POWERFUL 12,000 BTU BURNERS ARE INDEPENDENTLY CONTROLLED BY THE LED ILLUMINATED CONTROL KNOBS. THE QUALITY STAINLESS STEEL CONSTRUCTION, BRASS PLATED BURNERS AND STAINLESS STEEL COVER MAKE THIS BOTH A VALUABLE ADDITION TO YOUR OUTDOOR KITCHEN AND A GREAT VALUE.



XOGSIDEBXLT

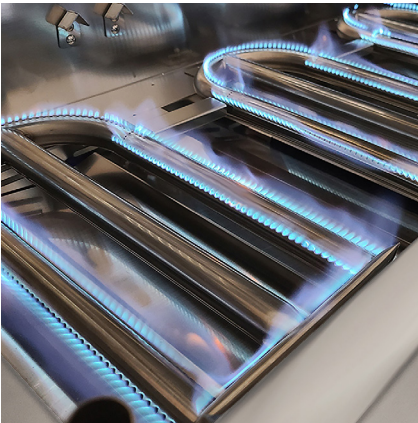
ALL WEATHER COVERS

DON'T FORGET TO PROTECT YOUR INVESTMENT WITH A QUALITY ALL WEATHER COVER DESIGN TO FIT YOUR APPLIANCES.



XOG32COVERBI

XOGRILL32XLT PRODUCT FEATURES



WELDED STAINLESS

BUILT TO LAST - SEAMLESS WELDED AND POLISHED STAINLESS STEEL CONSTRUCTION



STAINLESS STEEL BURNERS

LIFETIME WARRANTIED HEAVY DUTY TUBULAR STAINLESS STEEL BURNERS DELIVER 17,000 BTUs EACH



INTEGRATED ILLUMINATION

ELEGANT LED CONTROL LIGHTING AND INTERNAL HALOGEN LAMPS



UPPER RACK FLIPS UP TO STORE

PROVIDES BAKING AND ROASTING AREA - FOLDS UP WHEN NOT IN USE



EASY LIFT HOOD

LIFT SPRING COUNTER BALANCED WELDED SS HOOD MOVES EFFORTLESSLY



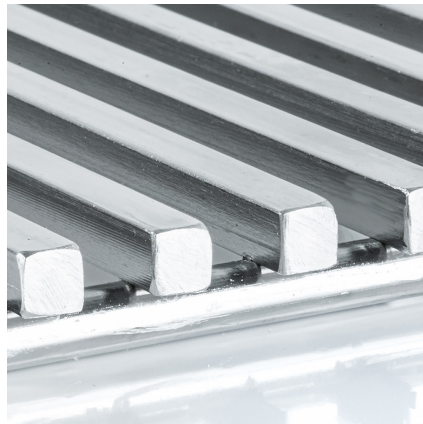
FULL COVERAGE SS FLAME TAMERS

FORMED STAINLESS STEEL FLAME TAMERS ENABLE RAPID HEAT UP, GUARD THE BURNERS AND VAPORIZE DRIPPINGS TO ADD FLAVOR



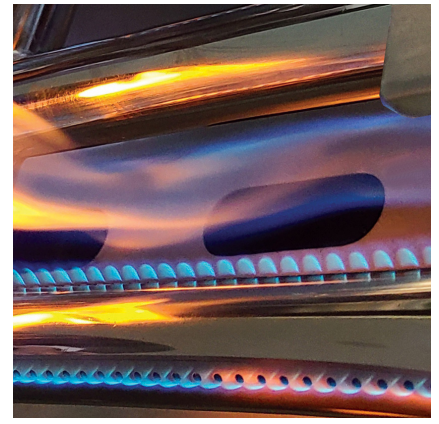
BUILT-IN THERMOMETER

EASY TO READ TEMPERATURE GAUGE



WELDED GRATES

HEAVY DUTY 304 STAINLESS GRATES HOLD HEAT FOR STRONG GRILL MARKS



RELIABLE FLAME IGNITION

POSITIVE IGNITION WITHOUT AN ELECTRICAL CONNECTION