

# XO

PUT SOME AWESOME  
IN YOUR BACKYARD

## XOGPOWER60K

### 16" PRO GRADE LUXURY POWER BURNER

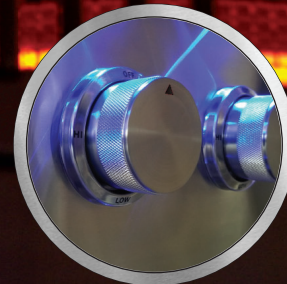
60K



More Power  
in Less  
Counter Space



Removable  
WOK Ring



Powerful LED  
control lights

#### YOUR XO PRO GRADE LUXURY POWER BURNER

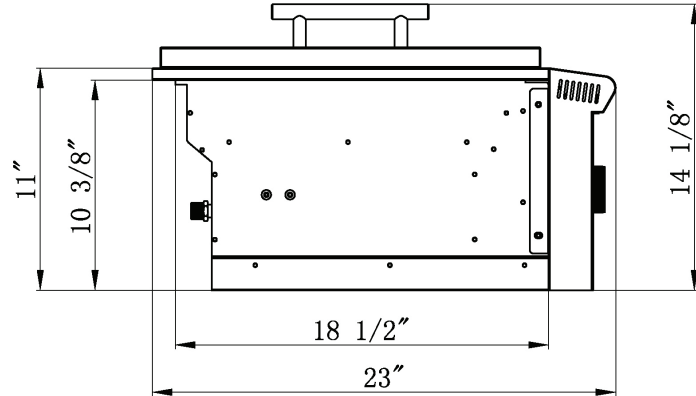
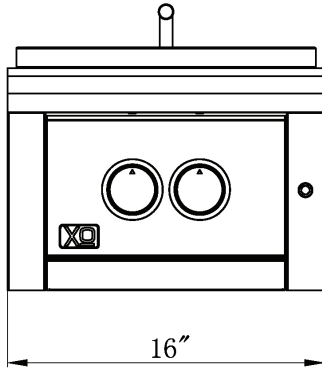
Hungry guests don't have to wait, with 60,000 BTUs of cooking power - this XO quality accessory for your custom outdoor kitchen is ready to deliver. Crafted from high quality 304 stainless steel to provide years of service - the XOGPOWER60K will become your go-to solution to expand your outdoor cooking horizons (with a minimum of counter space). So bring on the wok or lobster pot - XO is ready.

[www.xoappliance.com](http://www.xoappliance.com)

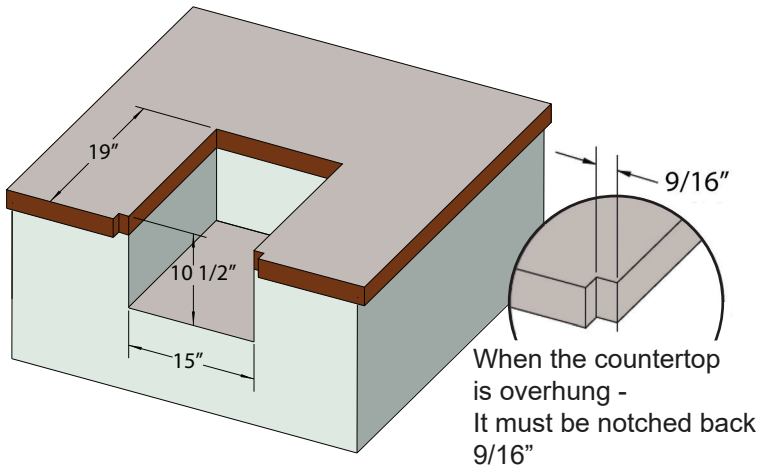
MODEL: XOGPOWER60K

16" PRO GRADE POWER BURNER

\*Specify **N** for natural gas, **L** for liquid propane



## BUILT-IN CUT OUT



When installing, observe all clearances between the grill and adjacent structures as detailed in the Operating and Instruction manual.

Failure to do so may create a serious risk of fire or injury.

## SPECIFICATIONS

<b>Size</b>	16"
<b>Dimensions</b>	16"W x 23"D x 14 1/8"H
<b>Installation Type</b>	Built-in
<b>Fuel</b>	Specify Natural Gas or Propane
<b>Burners</b>	Dual Ring Cast 304 SS Burner Inner Ring 25,000 BTU Outer Ring 35,000 BTU Total 60,000 BTU
<b>Electrical</b>	115V (for lighting)



**XO** the next level  
in luxury appliances  
[www.xoappliance.com](http://www.xoappliance.com)

XO is exclusively distributed through  
EASTERN MARKETING CORP.  
24 Eisenhower Parkway, Roseland, NJ 07068  
p. 973.403.8900