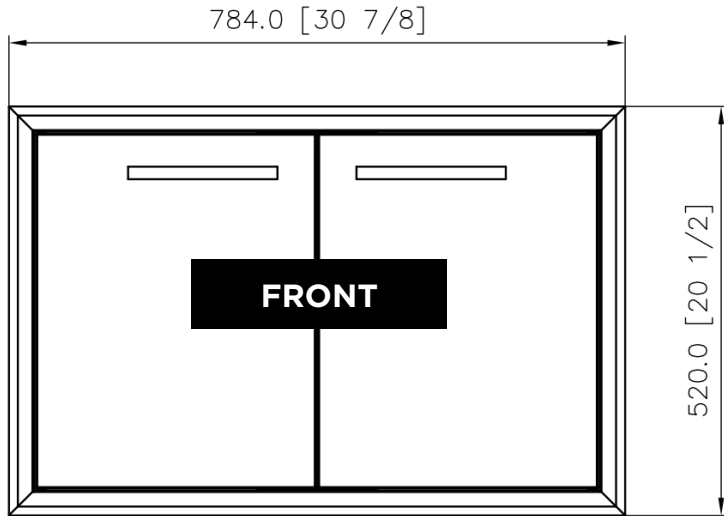




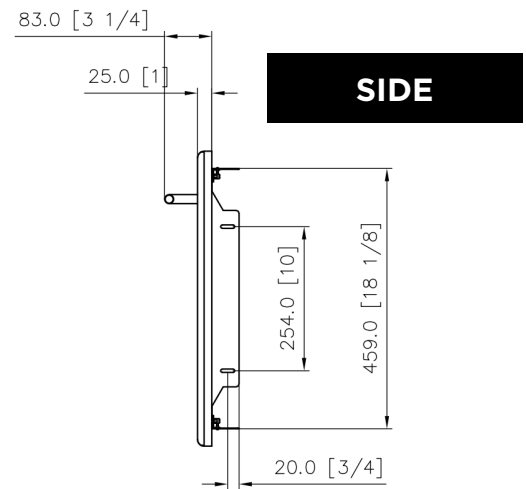
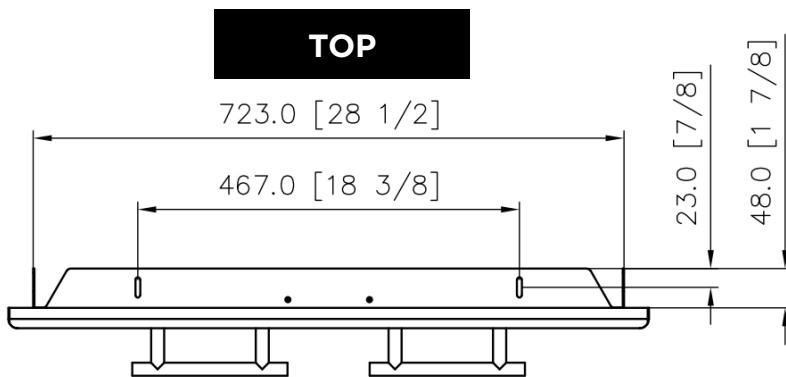
XOG32DDXLT

XLT DOUBLE ACCESS DOOR

PUT SOME AWESOME IN YOUR BACKYARD



XOG32DDXLT



FEATURES

- Stainless Steel Construction
- Handles Included
- Provides Utility Access

OVERALL / CUTOUT DIMENSIONS

OVERALL DIMENSIONS		
WIDTH	HEIGHT	DEPTH
30 7/8"	20 1/2"	1 7/8"

CUTOUT DIMENSIONS		
WIDTH	HEIGHT	DEPTH
28 3/4"	18 3/8"	2"