

*Frigidaire*

Factory Parts Catalog

Product No.	F42WC19EB	F42WC19EQ	F42WC19ES
Market	North America	North America	North America
Color	black	bisque	white
Exhaust-CFM	160 CFM	160 CFM	160 CFM
Volts	120	120	120
Owner's Guide	99043806	99043806	99043806
Installation Instructions	99043806	99043806	99043806
Wiring Diagram	5995459111	5995459111	5995459111



Electrolux Major Appliances  
 North & Latin America  
 P.O. BOX 212378  
 AUGUSTA, GA 30917

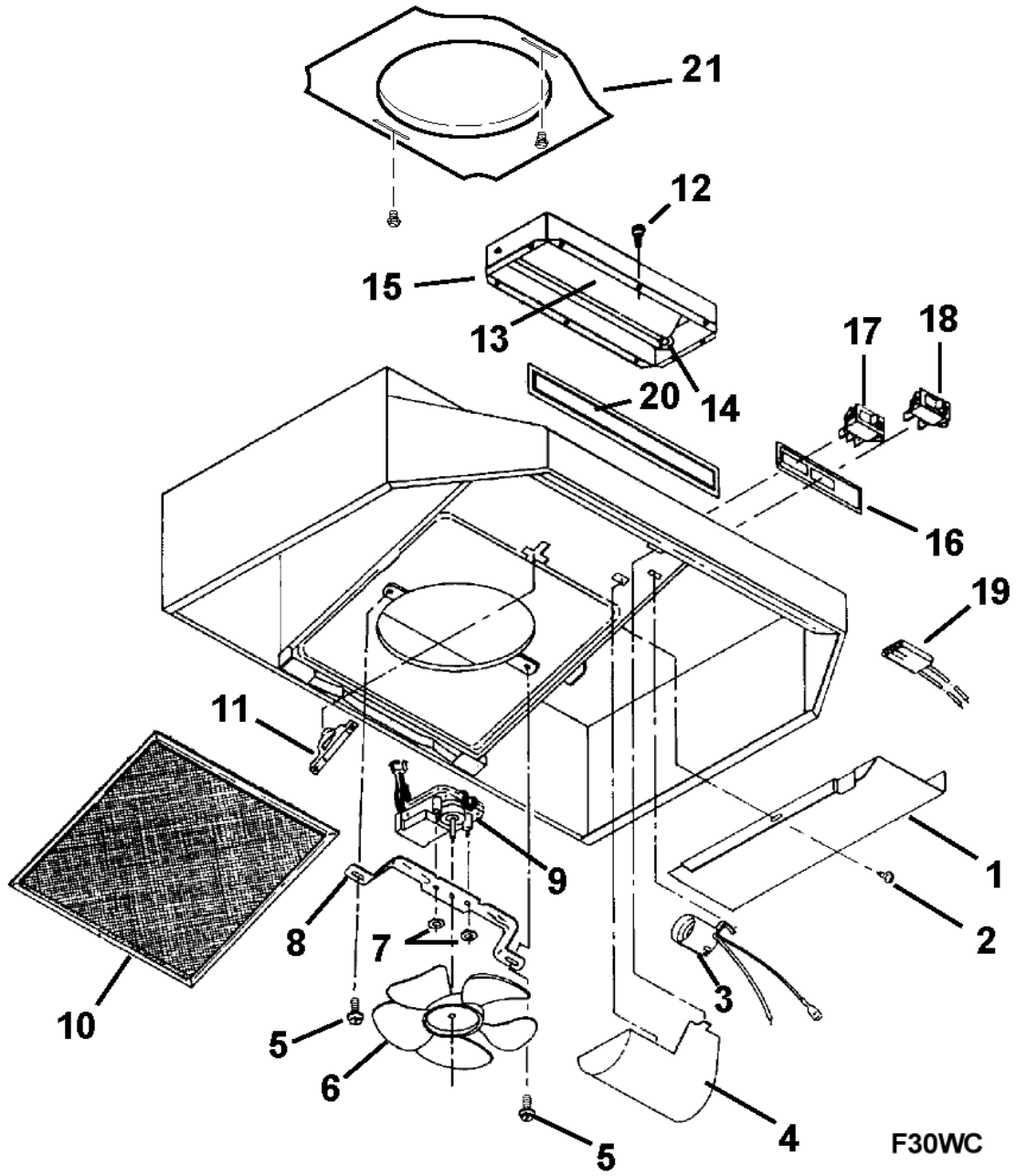
Publication No.  
**5995459111**  
 06/02/03  
 (EN/SERVICE/KC)  
 099

**RANGE HOOD**

Model No.  
**F42WC19E**

Copyright © 2006 Electrolux Home Products, Inc.  
 All rights reserved.

REPLACEMENT PARTS



## REPLACEMENT PARTS

---

*Model Index:*    A F42WC19E (F42WC19EB)  
                           B F42WC19E (F42WC19EQ)  
                           C F42WC19E (F42WC19ES)

POS. NO	PART NO.		DESCRIPTION
1	5304452355	A B C	Cover, outlet box(Optional Accessory)
2	5303281950	A B C	Screw, sheet metal, 8-18 x 0.375
3 #	5304452356	A B C	Receptacle, Lamp holder, w/wires
4	3051767	A B C	Lens, lamp, glass
5	5304452357	A B C	Fastener Kit, 2-screw & 2-nut
6 #	5304452390	A B C	Fan Blade
7	5304452359	A B C	Nut, locking, 6-32, (2)
8	3051766	A B C	Bracket, motor mount
9 #	5304452360	A B C	Motor Assy, fan, includes 6, 7, 8
10 #	5304452031	A B C	Filter, aluminum
10 #	5304454054	A B C	Filter, duct-free, charcoal, 6-pk(Optional Accessory)
11	5304413743	A B C	Clip, filter retainer
12	5303282121	A B C	Screw, 8-18B x 0.250, (2)
13	5303281952	A B C	Flap, damper door
14	5303281953	A B C	Bushing, damper
15 #	5304452361	A B C	Damper Assy, incl. 13, 14, 21
16	5304452370	A - -	Nameplate, black
16	5304452681	- B -	Nameplate, bisque
16	5304452371	- - C	Nameplate, white
17 #	5304452392	A - -	Switch, motor, black, 2 speed
17 #	5304452394	- B -	Switch, motor, bisque, 2 speed
17 #	5304452393	- - C	Switch, motor, white, 2 speed
18 #	5304452395	A - -	Switch, lamp, black
18 #	5304452397	- B -	Switch, lamp, bisque
18 #	5304452396	- - C	Switch, lamp, white
19 #	5304452366	A B C	Receptacle, motor, with wires
20	5304452398	A - -	Cover, louver, black
20	5304452400	- B -	Cover, louver, bisque
20	5304452399	- - C	Cover, louver, white
21	5304452401	A B C	Plate, round duct, 7 inch dia.

**WIRING DIAGRAM**

