

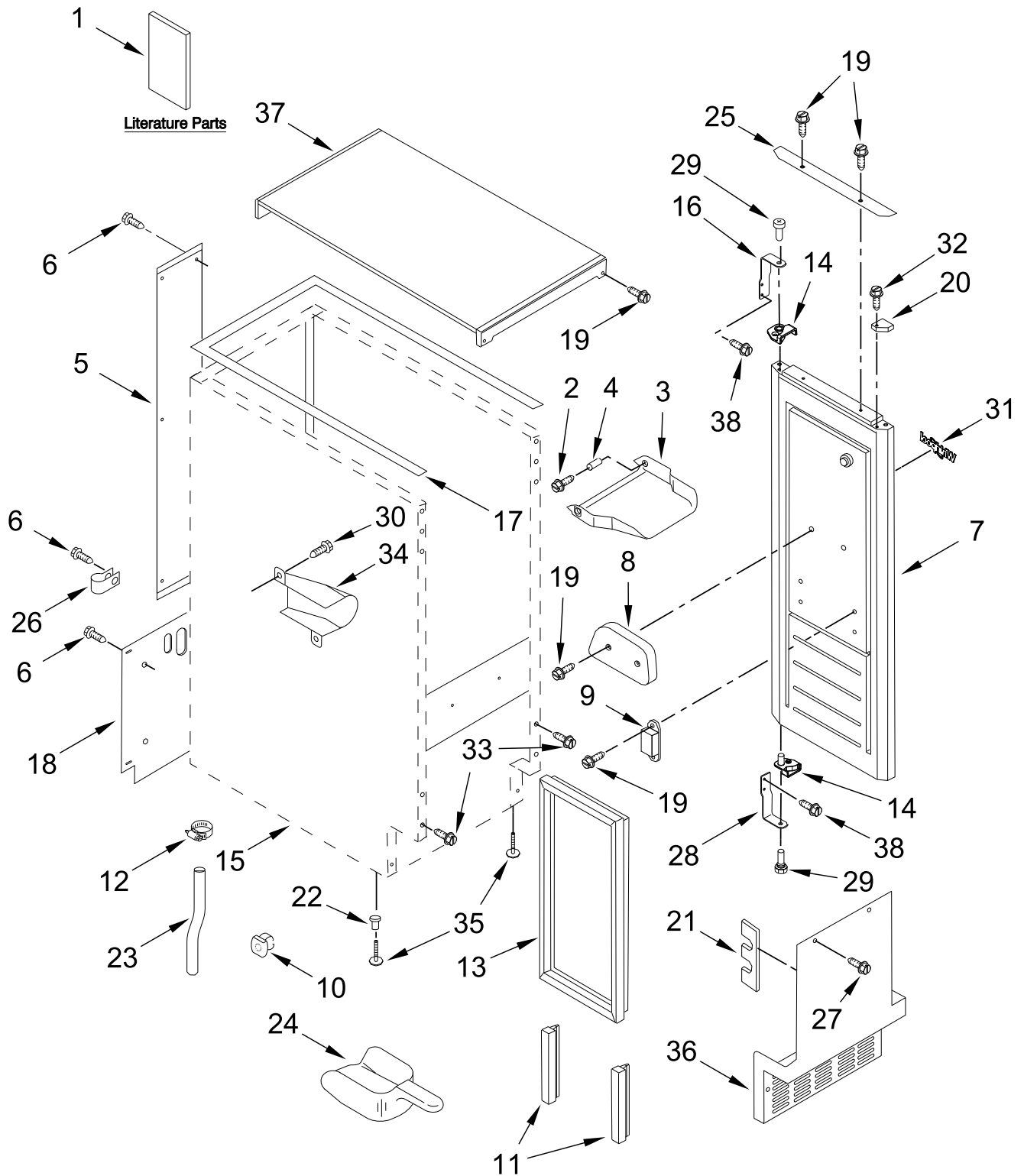


ICEMAKER

MODELS:

WUI75X15HW02 (White)

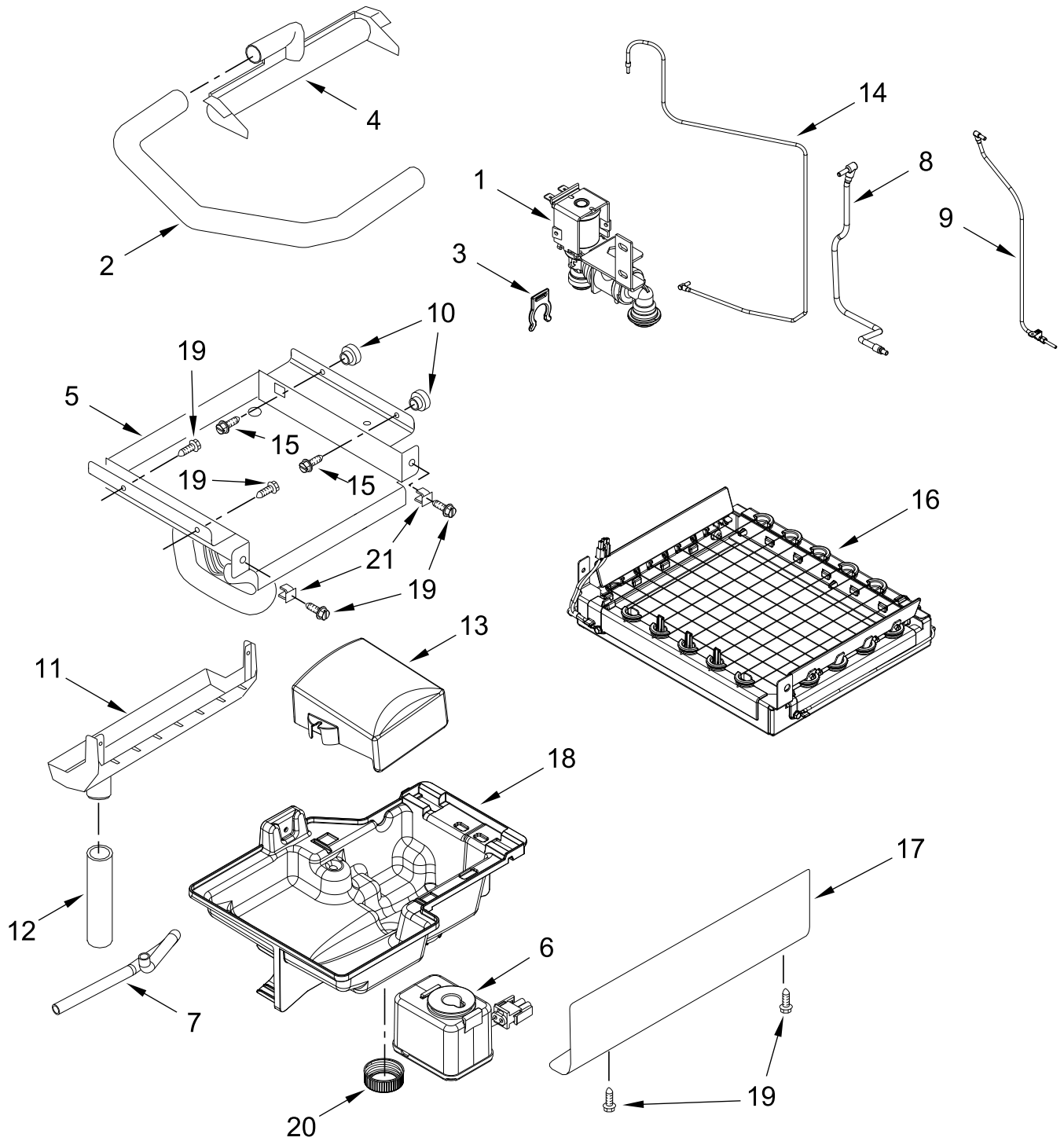
CABINET, DOOR AND LINER PARTS



CABINET, DOOR AND LINER PARTS

| <u>Illus. No.</u> | <u>Part No.</u> | <u>Description</u> | <u>Illus. No.</u> | <u>Part No.</u> | <u>Description</u> | <u>Illus. No.</u> | <u>Part No.</u> | <u>Description</u> |
|-------------------|-----------------|--------------------------|-------------------|-----------------|----------------------------------|-------------------|-----------------|-----------------------|
| 1 | | Literature Parts | 14 | W10486558 | Stop, Top Door (White) | 25 | | Handle, Door |
| | W11686966 | Owners Manual | | W10486560 | Stop, Bottom Door (White) | | 2208493W | White |
| | W10761657 | Tech Sheet | | | | 26 | 2208136 | Clip, Water Tube |
| 2 | 3400886 | Screw (Stainless) | 15 | | Cabinet and Liner (Not Serviced) | 27 | W10531303 | Screw (White) |
| 3 | W10734102 | Bin, Door | | | | 28 | W10476697 | Hinge, Bottom (White) |
| 4 | 2185678 | Spacer | 16 | W10476704 | Hinge, Top (White) | 29 | 2185712 | Pin, Hinge |
| 5 | 2217394 | Cover, Wiring | 17 | 2217293 | Gasket, Top Panel | 30 | 489443 | Screw (Stainless) |
| 6 | 489442 | Screw | 18 | W11256688 | Cover, Unit | 31 | W10884775 | Badge |
| 7 | | Door | 19 | 8534077 | Screw (White) | 32 | 348689 | Screw |
| | W10512905 | White | 20 | W11309713 | Filler, Top Endcap (White) | 33 | 357640 | Screw |
| 8 | W11309649 | Cam,Door | | | | 34 | 2185927 | Holder, Scoop |
| 9 | W10529250 | Assembly, Magnetic Catch | | W11309714 | Filler, Bottom Endcap (White) | 35 | 3374849 | Leg, Leveling |
| 10 | W10136999 | Nut, Push-In | | | | 36 | | Grill, Front |
| 11 | W11165597 | Gasket, Bottom | 21 | W10532250 | Pad, Foam | | 2185571W | White |
| 12 | W10670799 | Clamp, Hose | 22 | 3400240 | Nut | 37 | W10512750 | Panel, Top (White) |
| 13 | 2217294 | Gasket, Door | 23 | W10737551 | Tube, Drain | 38 | W10495263 | Screw (White) |
| | | | 24 | W10493422 | Scoop | | | |

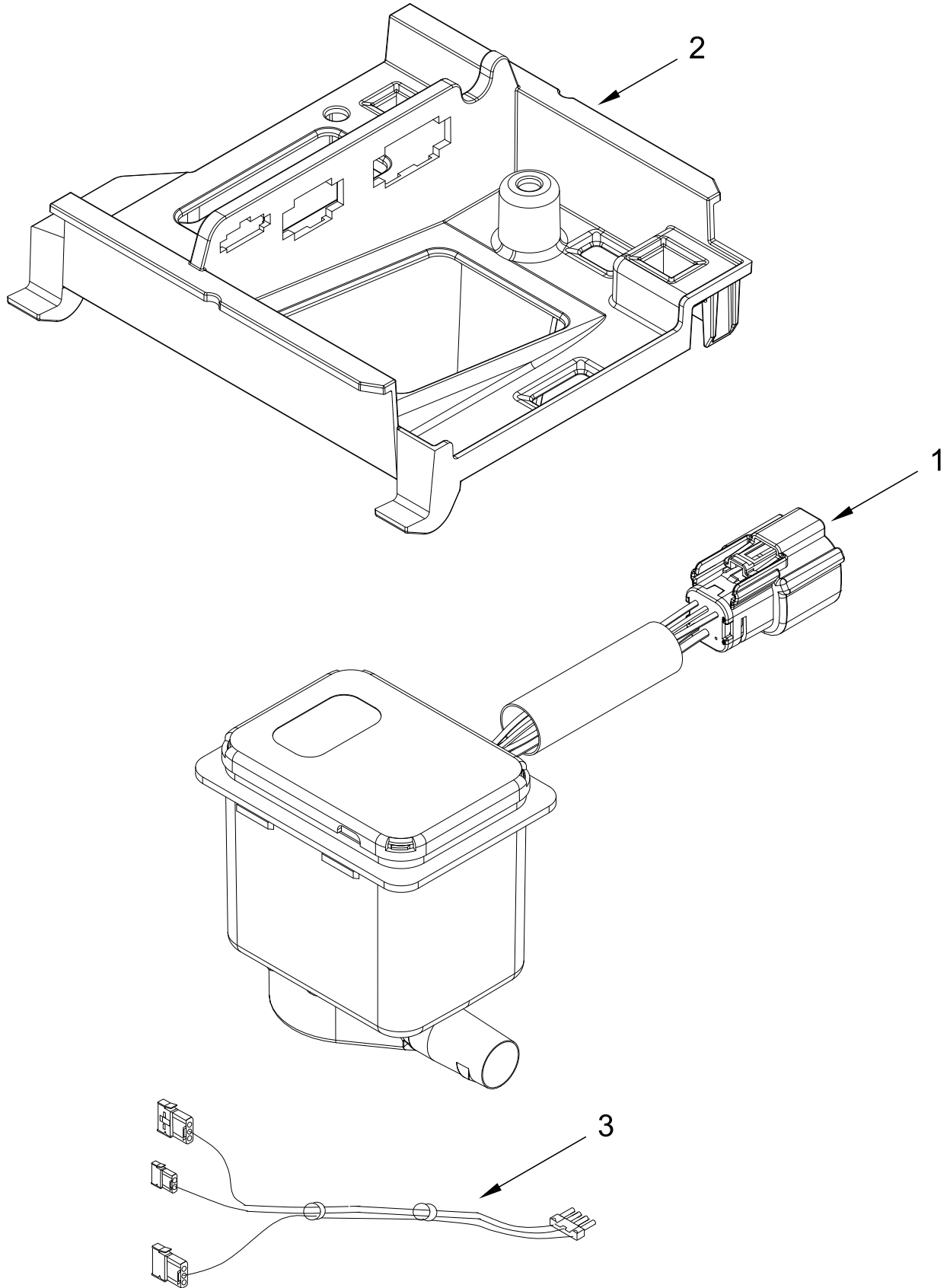
EVAPORATOR, GRID, AND WATER PARTS



EVAPORATOR, GRID, AND WATER PARTS

| <u>Illus.</u> <u>No.</u> | <u>Part No.</u> | <u>Description</u> | <u>Illus.</u> <u>No.</u> | <u>Part No.</u> | <u>Description</u> | <u>Illus.</u> <u>No.</u> | <u>Part No.</u> | <u>Description</u> |
|-----------------------------|-----------------|-----------------------|-----------------------------|-----------------|------------------------|-----------------------------|-----------------|--------------------|
| 1 | W10217918 | Valve, Water | 9 | W11257368 | Assembly, Plug Tube | 16 | W10783275 | Assembly, Grid |
| 2 | W10772963 | Tube, Pump | 10 | 836667 | Spacer | 17 | W10340986 | Cover, Grid |
| 3 | W10782423 | Locking Ring (1/4") | 11 | 2185625 | Reservoir, Water Slide | 18 | W11507346 | Reservoir, Water |
| 4 | 2185523 | Dispenser, Water | 12 | W10635836 | Tube, Water Slide | 19 | 3400884 | Screw (Stainless) |
| 5 | W11703764 | Evaporator | 13 | W10512292 | Cover, Bracket | 20 | W10555398 | Cap, Drain |
| 6 | W11439192 | Pump, Reservoir Drain | 14 | W11543903 | Waterline, Valve | 21 | 3400909 | Grommet, Screw |
| 7 | W10539379 | Tube, Reservoir Drain | 15 | 3400886 | Screw (Stainless) | | | |
| 8 | W11543901 | Waterline, Reservoir | | | | | | |

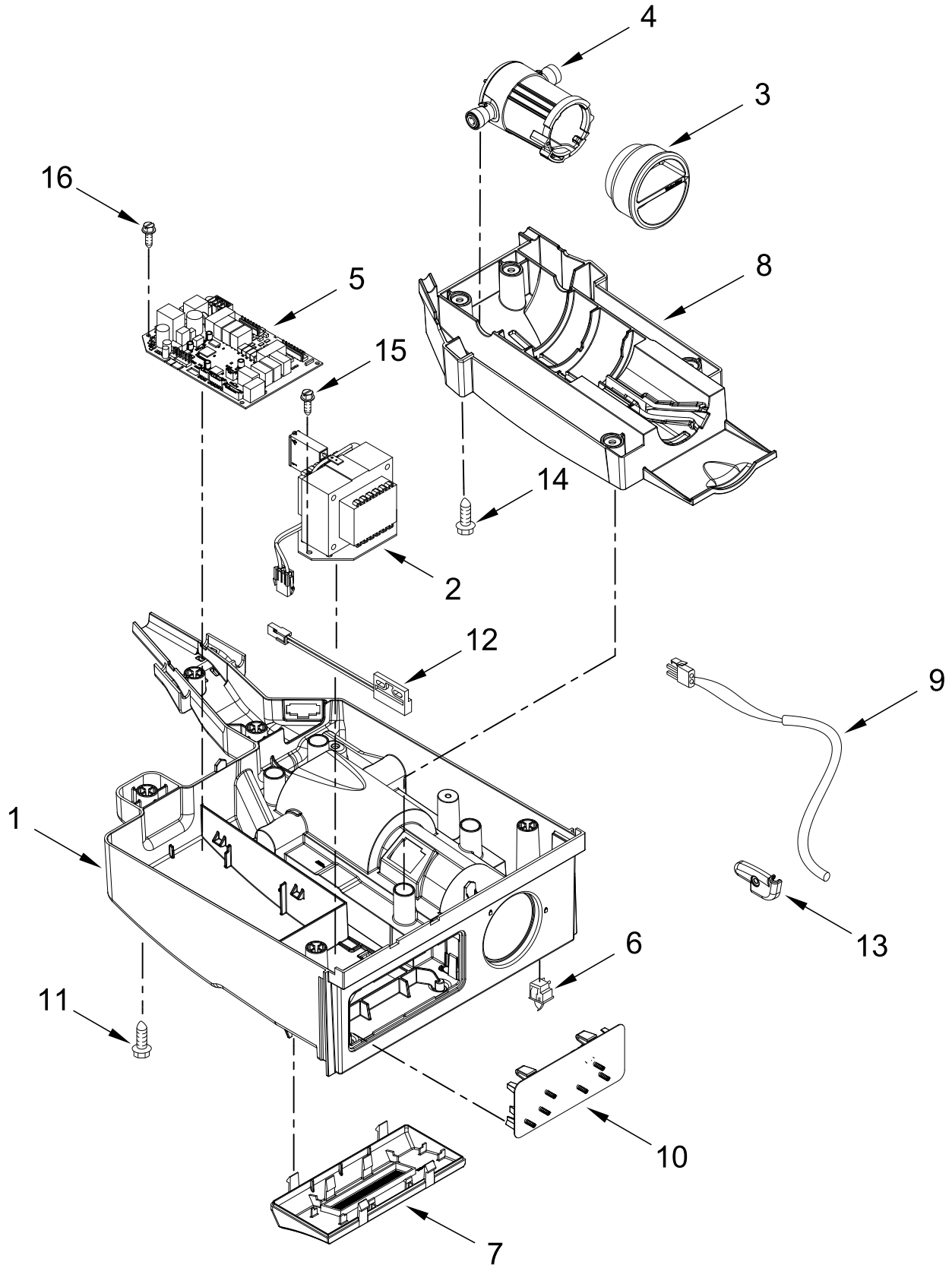
PUMP PARTS



PUMP PARTS

| <u>Illus.</u> <u>No.</u> | <u>Part No.</u> | <u>Description</u> |
|-----------------------------|-----------------|--|
| 1 | W11439191 | Pump, Recirculating (Includes Sensor) |
| 2 | W10489129 | Bracket, Pump |
| 3 | W10764770 | Assembly, Pump Wire |

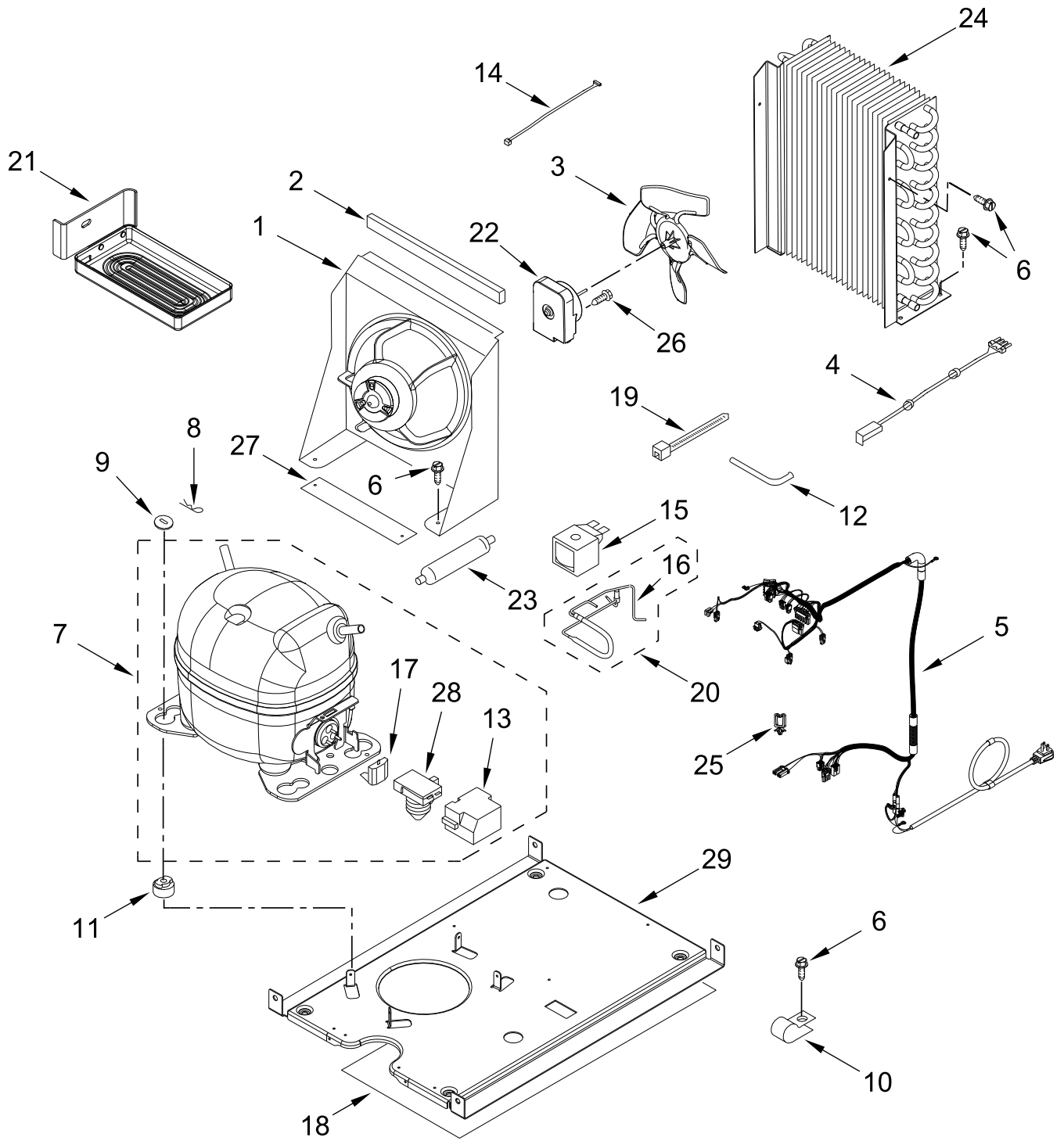
CONTROL PANEL PARTS



CONTROL PANEL PARTS

| <u>Illus.</u> <u>No.</u> | <u>Part No.</u> | <u>Description</u> | <u>Illus.</u> <u>No.</u> | <u>Part No.</u> | <u>Description</u> | <u>Illus.</u> <u>No.</u> | <u>Part No.</u> | <u>Description</u> |
|-----------------------------|-----------------|-----------------------------------|-----------------------------|-----------------|--------------------------|-----------------------------|-----------------|--------------------|
| 1 | W10477560 | Housing, Control | 6 | W10847852 | Switch, Rocker | 11 | 12990501 | Screw |
| 2 | W10485951 | Transformer | 7 | W10492487 | Assembly, Diamond LED | 12 | W11105994 | Switch, Reed |
| 3 | W10800356 | Filter Cap | 8 | W10475416 | Cover, Filter | 13 | W10526623 | Clamp, Thermistor |
| 4 | W11168063 | Assembly, Water Filter Housing | 9 | W10511923 | Thermistor, Bin | 14 | 9741232 | Screw |
| 5 | W10886282 | Control, Electronic | 10 | W11176269 | Assembly, Control | 15 | W10165274 | Screw |
| | | | | | | 16 | 489214 | Screw |

UNIT PARTS



UNIT PARTS

| <u>Illus.</u> <u>No.</u> | <u>Part No.</u> | <u>Description</u> | <u>Illus.</u> <u>No.</u> | <u>Part No.</u> | <u>Description</u> | <u>Illus.</u> <u>No.</u> | <u>Part No.</u> | <u>Description</u> |
|-----------------------------|-----------------|---------------------------------|-----------------------------|-----------------|--------------------------|-----------------------------|-----------------|--|
| 1 | 2185532 | Bracket, Fan Mounting | 11 | 2217318 | Grommet, Compressor | 21 | W10615506 | Tray, Drip |
| 2 | 2185675 | Pad, Foam | 12 | W10528572 | Tube, Process | 22 | W10909377 | Motor, Condenser Fan |
| 3 | 2188935 | Blade, Fan | 13 | 2208371 | Cover, Terminal | 23 | W11594492 | Drier |
| 4 | 2187629 | Jumper, Wire (Condenser Fan) | 14 | W11086824 | Wire Assembly, Jumper | 24 | W11508236 | Condenser |
| 5 | W10917834 | Assembly, Cabinet Wire | 15 | W10206473 | Coil, Solenoid | 25 | 2223913 | Clip |
| 6 | 304392 | Screw | 16 | 759113 | Body, Solenoid Valve | 26 | 8281196 | Screw |
| 7 | W10536005 | Compressor | 17 | W10783194 | Protector, Overload | 27 | W11553219 | Pad, Foam |
| 8 | A201435 | Clip, Compressor Mounting | 18 | W10282061 | Shield, Heat | 28 | 2217224 | Device, Start |
| 9 | A201441 | Shim | 19 | 2262071 | Tie, Cable | 29 | W11560928 | Base, Unit |
| 10 | 2185960 | Clamp, Power Cord | 20 | W11575246 | Valve, Hot Gas | | | REFRIGERANT CHARGE 5.75 oz. (R-134A) |

OPTIONAL PARTS

| <u>Illus.</u> <u>No.</u> | <u>Part No.</u> | <u>Description</u> |
|-----------------------------|-----------------|--|
| | | TOUCH-UP PAINT |
| | 72017 | White |
| | 511873 | White Porcelain (2 oz.) |
| | | PAINT, PRESSURIZED SPRAY (12 oz.) |
| | 350930 | White |
| | 350942 | White Primer |
| | | Important: The spray paint is not to be used where the paint may make contact with the door gaskets. |
| | | MISCELLANEOUS |
| | 212643 | Sealer, Gum (4 Feet) |
| | 876370 | Insulation (2 Pieces, 3" x 24" x 48") |
| | 876305 | Insulation Kit (14 Pieces, 3" x 24" x 48") |
| | 978941 | Insulation, Fiberglass (63 1/2" x 35 1/2" x 2 5/8") |
| | 505587 | Sealer, Mastic (1 Qt) |
| | 503695 | Cork, Sealer |
| | 542638 | Grease, Silicone (1/2 Oz.) |
| | 833938 | Kit, Terminal Connector |
| | 8003RP | Kit, Water Inlet |
| | F2WC9I1 | Water Filter |