



WallMaster

SEALING GASKET INSTALLATION INSTRUCTIONS

Remove the black rubber gasket from the air discharge plenum of the air conditioner (see fig. A). Look inside the wall sleeve and check to see if a black rubber gasket is already in place along the bottom front (see fig. B). If one is not in place, thoroughly clean the sleeve area between the front unit rests and the raised ledge (see fig. B). Once this area is clean and completely dry, peel the orange backing from the gasket and apply it to the base of the sleeve (see fig. B). Once the gasket has been properly applied, the sleeve is ready for the air conditioner to be installed per the installation instructions.

FIGURE A

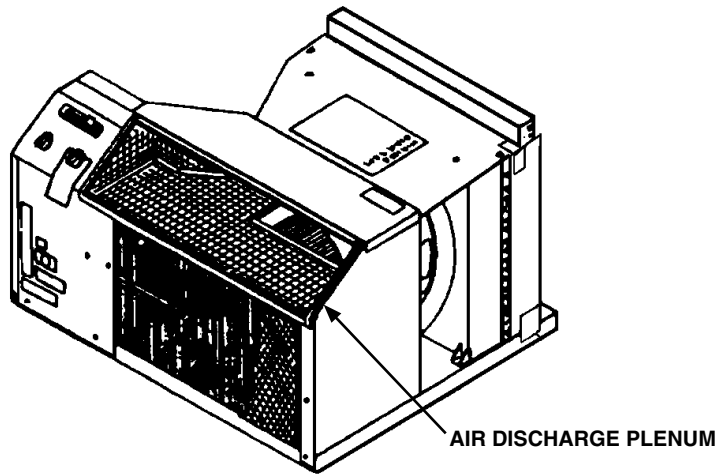


FIGURE B

