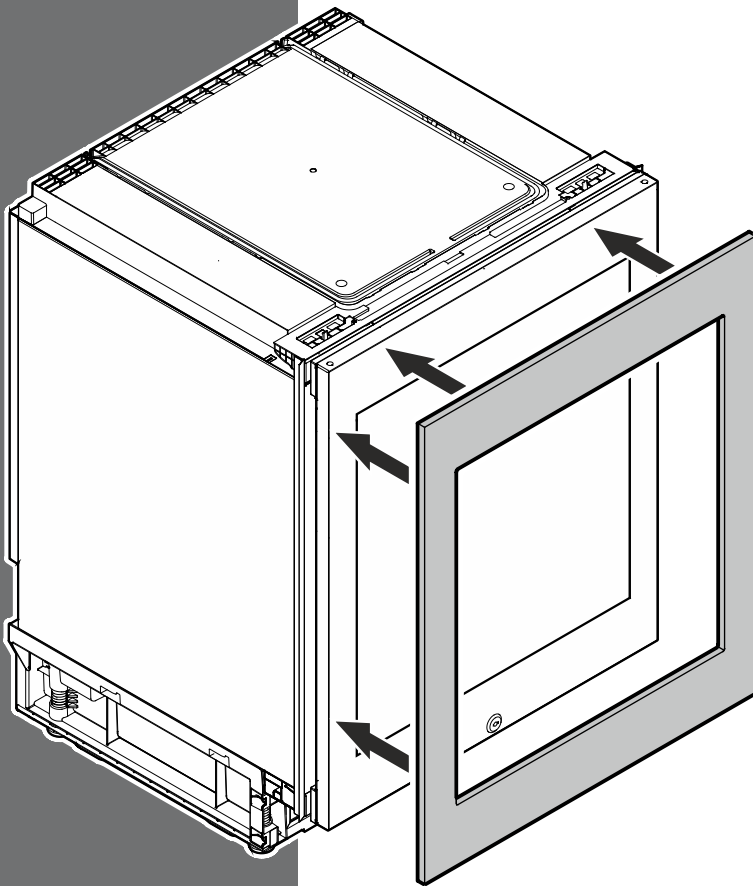


# LIEBHERR

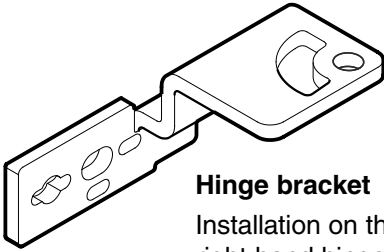
## Installation Instructions

Overlay kit



7084 273-00

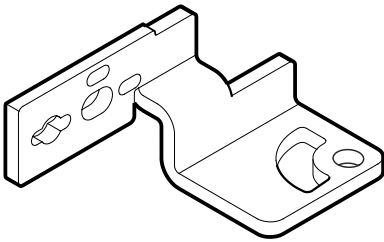
# PARTS LIST



### Hinge bracket

Installation on the right at the top for right-hand hinged door.

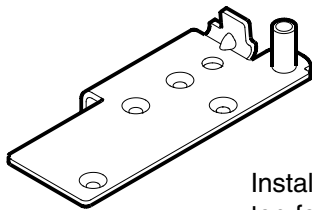
Installation on the left at the bottom for left-hand hinged door.



### Hinge bracket

Installation on the right at the bottom for right-hand hinged door.

Installation on the left at the top for left-hand hinged door.

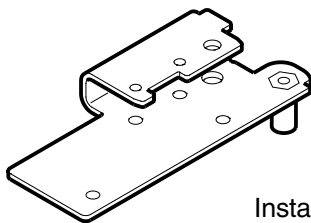


### Angle bracket

To connect the appliance door and the door panel.

Installation on the right at the top for right-hand hinged door.

Installation on the left at the bottom for left-hand hinged door.



### Angle bracket

To connect the appliance door and the door panel.

Installation on the right at the bottom for right-hand hinged door.

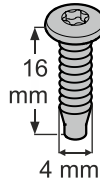
Installation on the left at the bottom for left-hand hinged door.



**Hinge bushing**  
2 pcs.

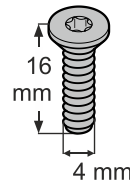


**Plastic washer**

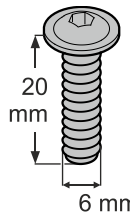


**Special screw M4 x 16**  
2 pcs.

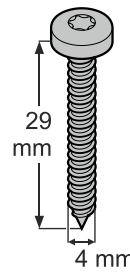
(to connect the bottom hinge bracket with the angle bracket)



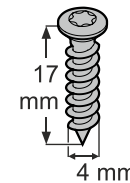
**Countersunk head metric screw M4 x 16**  
4 pcs.



**Countersunk head metric screw M6 x 20**  
2 pcs.



**Round head wood screw**  
6 pcs.



**Countersunk head wood screw**  
4 pcs.

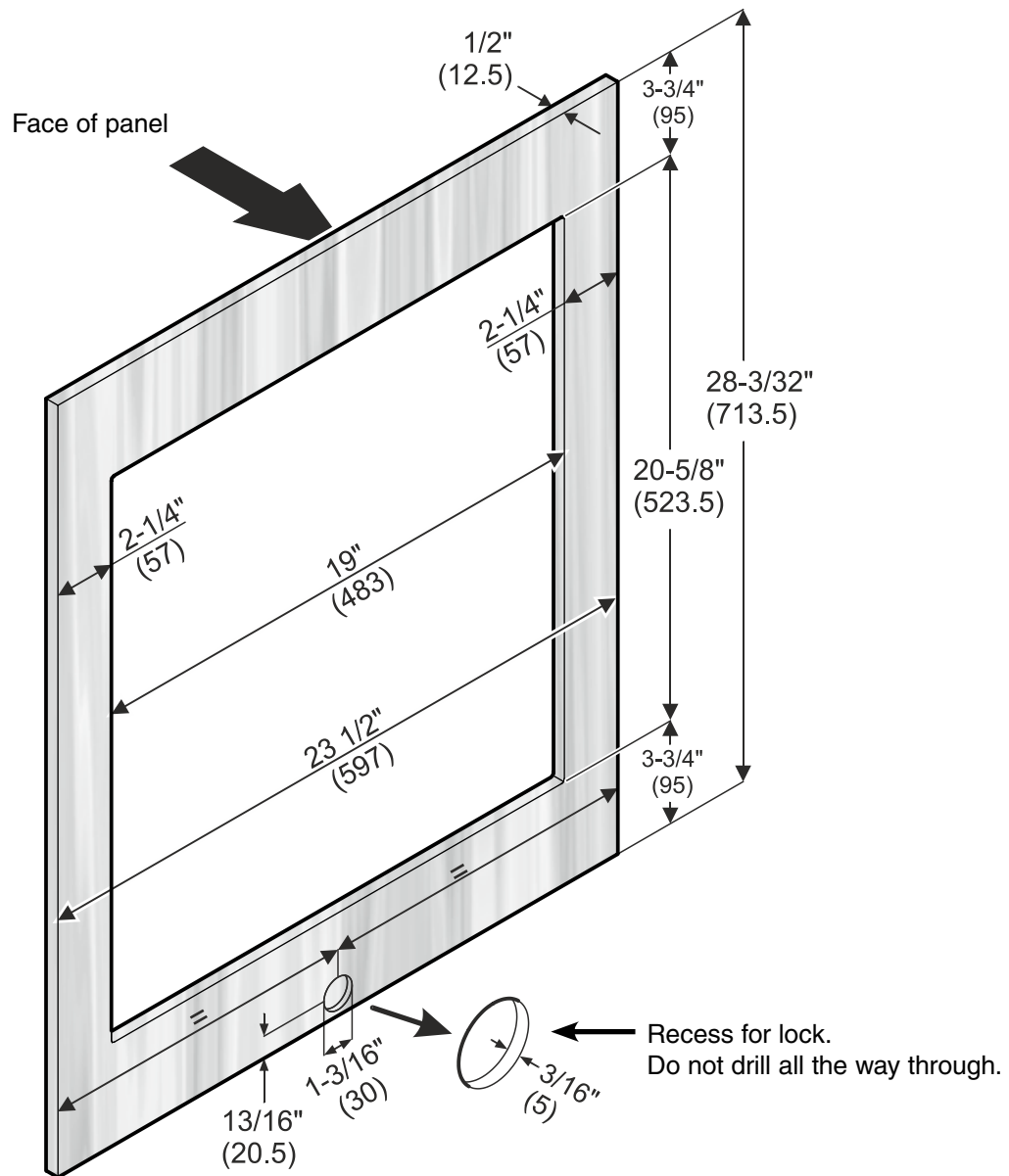
## Panel Dimensions

(Dimensions in brackets are millimeter)

### IMPORTANT

The standard stainless steel handle of the appliance door is not intended for mounting to the panel.

A handle is not supplied with the kit.



# INSTALLATION

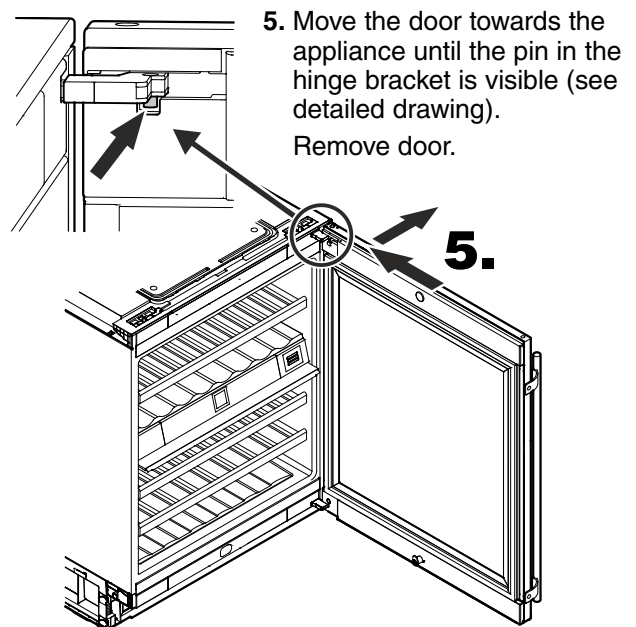
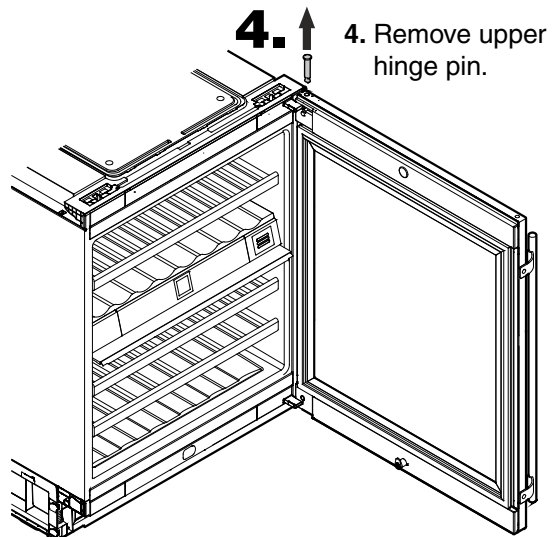
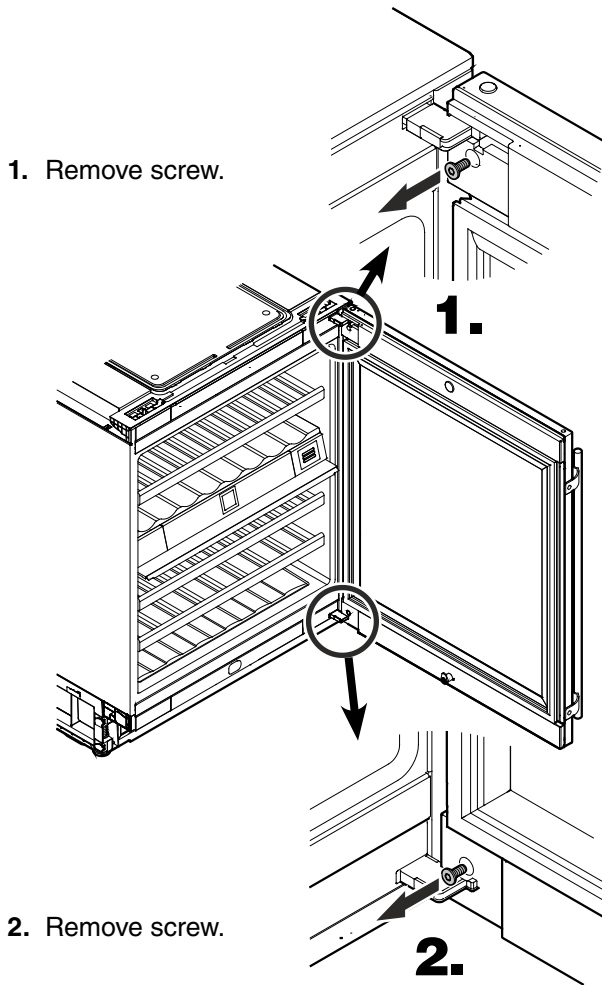
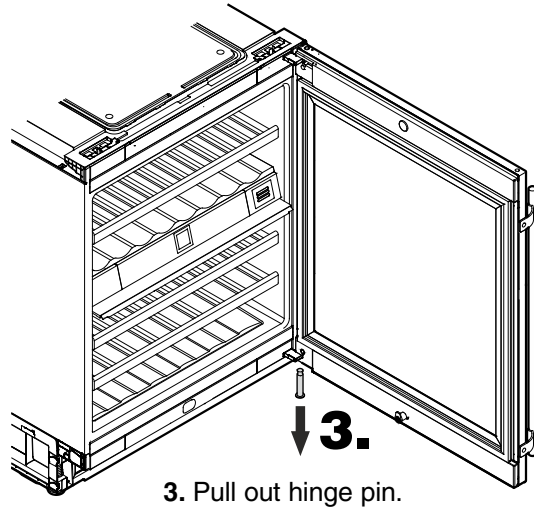
## NOTE

The following description depicts appliance WU 3400. The same procedure applies to WU 4500 and RU 510 appliances.

The description shows the installation process for a right hinged door.

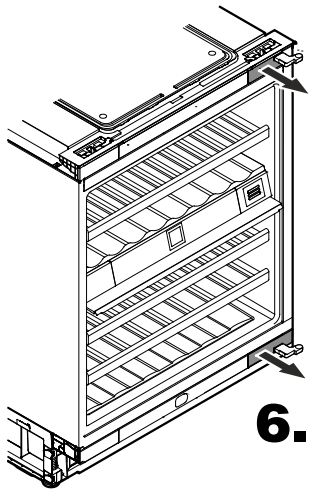
For installation on a left hinged door the support brackets must be mounted on the opposite side accordingly.

See chapter "Parts list" for explanation of the respective mounting position of the brackets.



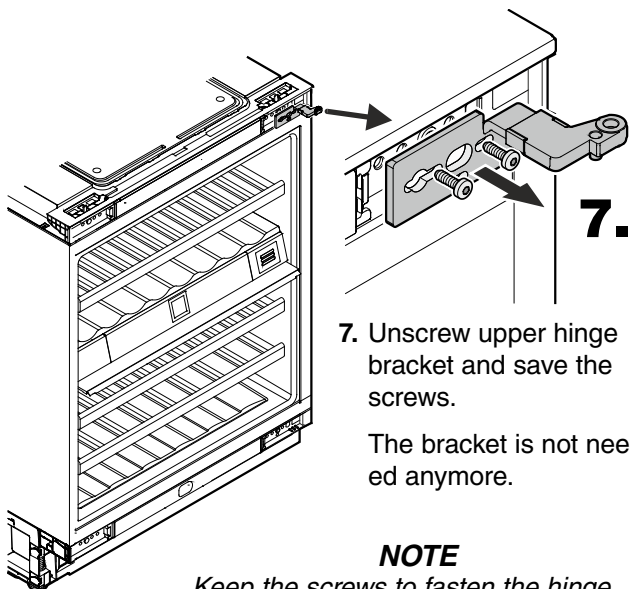
## IMPORTANT

The door must now be held secure by another person.



6. Remove and save covers.

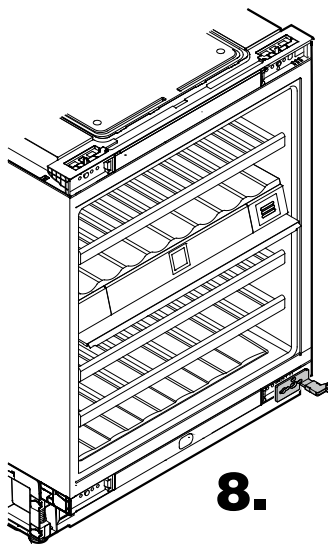
6.



7. Unscrew upper hinge bracket and save the screws.  
The bracket is not needed anymore.

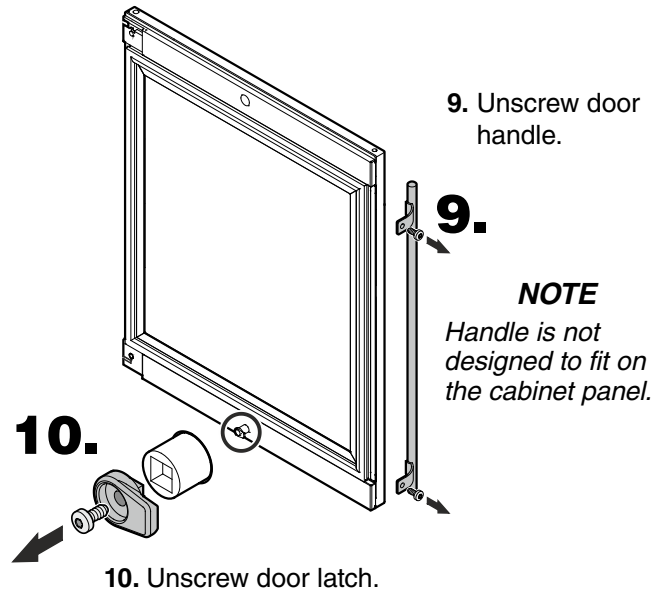
**NOTE**

Keep the screws to fasten the hinge brackets from the kit.



8. Unscrew the lower hinge bracket and save the screws.  
The bracket is not needed anymore.

8.



9. Unscrew door handle.

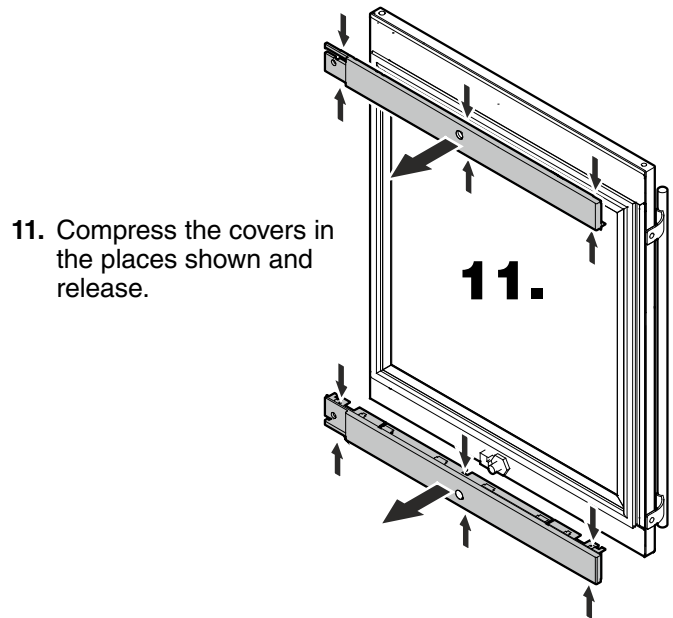
9.

**NOTE**

Handle is not designed to fit on the cabinet panel.

10.

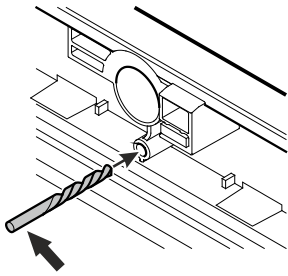
10. Unscrew door latch.



11. Compress the covers in the places shown and release.

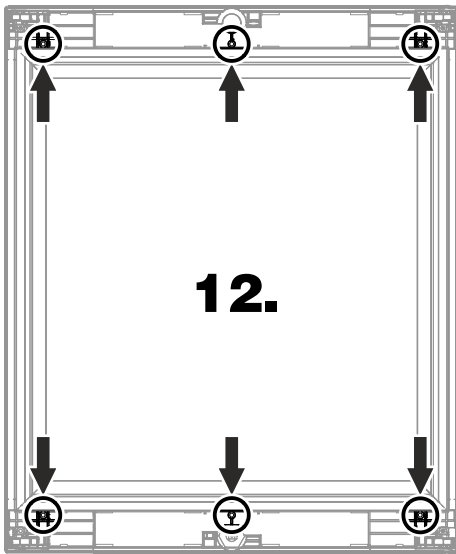
11.

# INSTALLATION



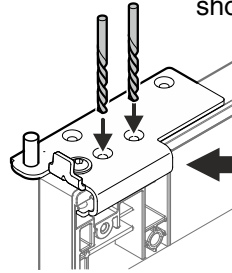
12. Drill through the outer steel sheet of the door through the holes shown below.

Drill diameter 11/64" or 3/16" (approx. 4.5 mm)



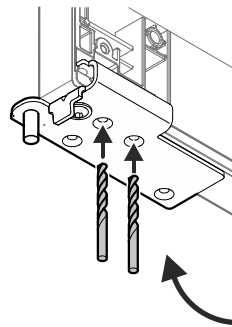
12.

14. Drill through the outer steel sheet of the door through the holes shown below.



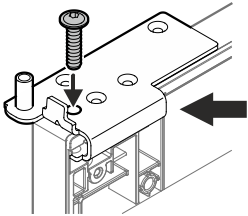
Drill diameter 11/64" or 3/16" (approx. 4.5 mm)

14.

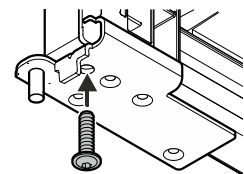


13. Clip on the top and bottom angle bracket and screw into place with screw M6 x 20. Use a 4 mm metric allen key.

M6 x 20

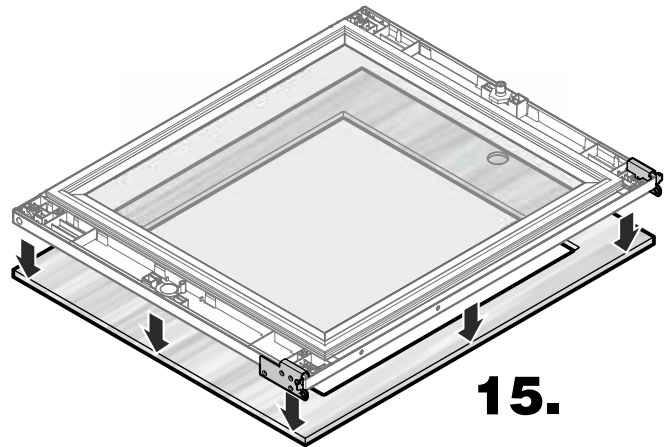


13.

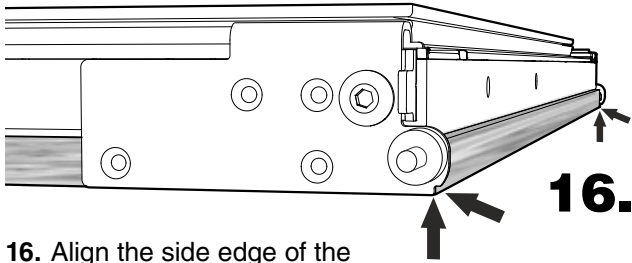


M6 x 20

15. Lay down the panel with the front face on the countertop. Place the door onto the panel.

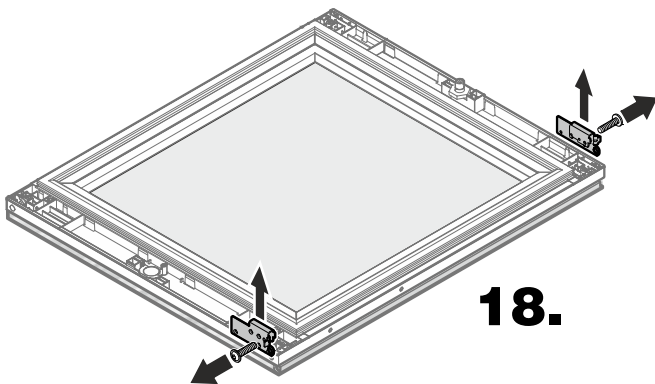
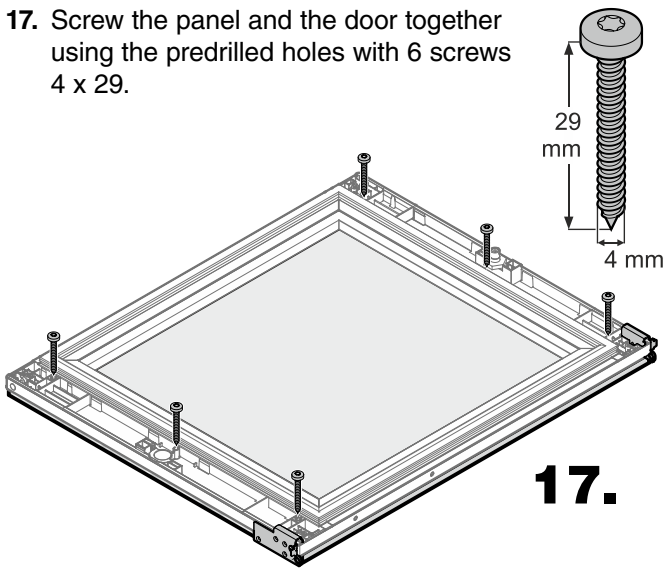


15.



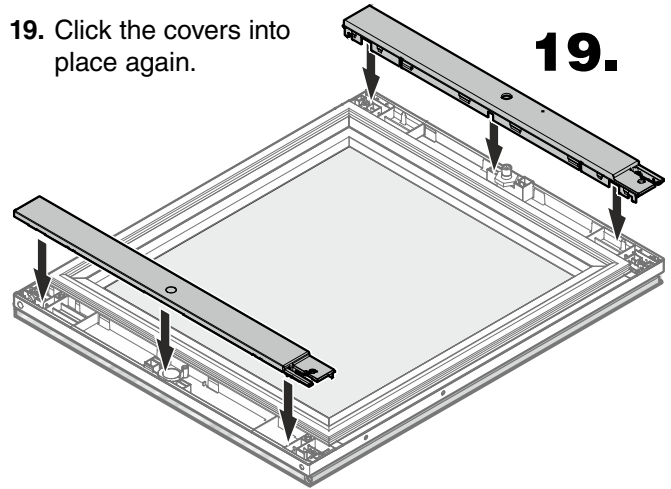
16. Align the side edge of the panel to the edge of the angle brackets.

17. Screw the panel and the door together using the predrilled holes with 6 screws 4 x 29.

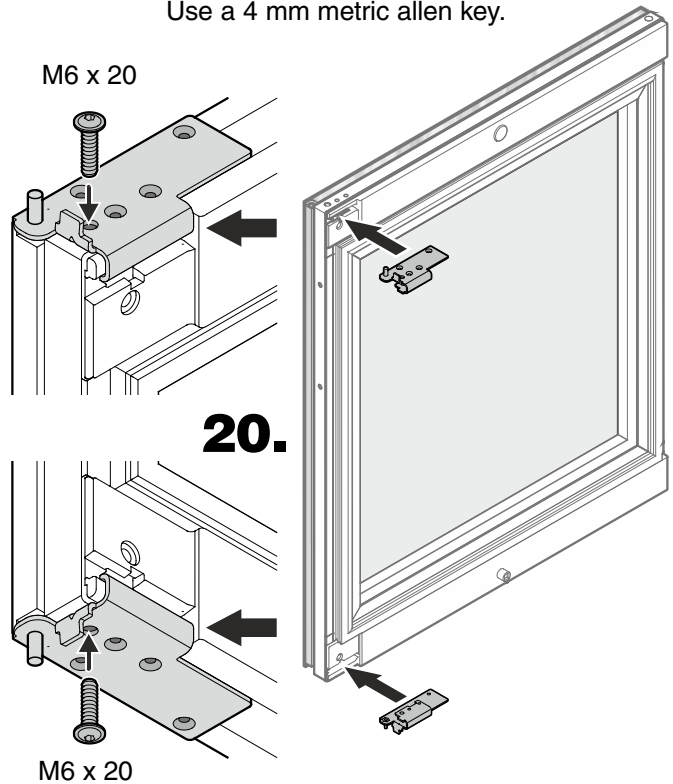


18. Unscrew both angle brackets.

19. Click the covers into place again.

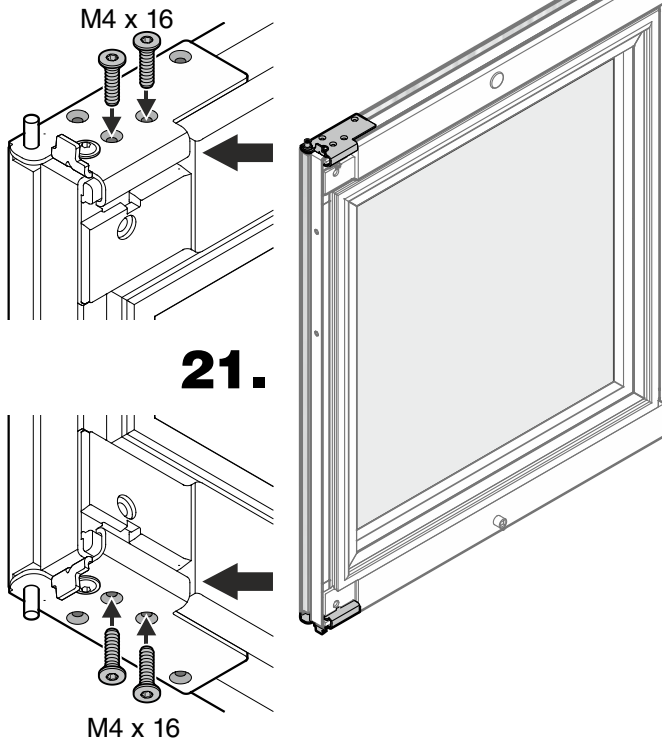


20. Clip on the top and bottom angle bracket and screw into place with screw M6 x 20. Use a 4 mm metric allen key.

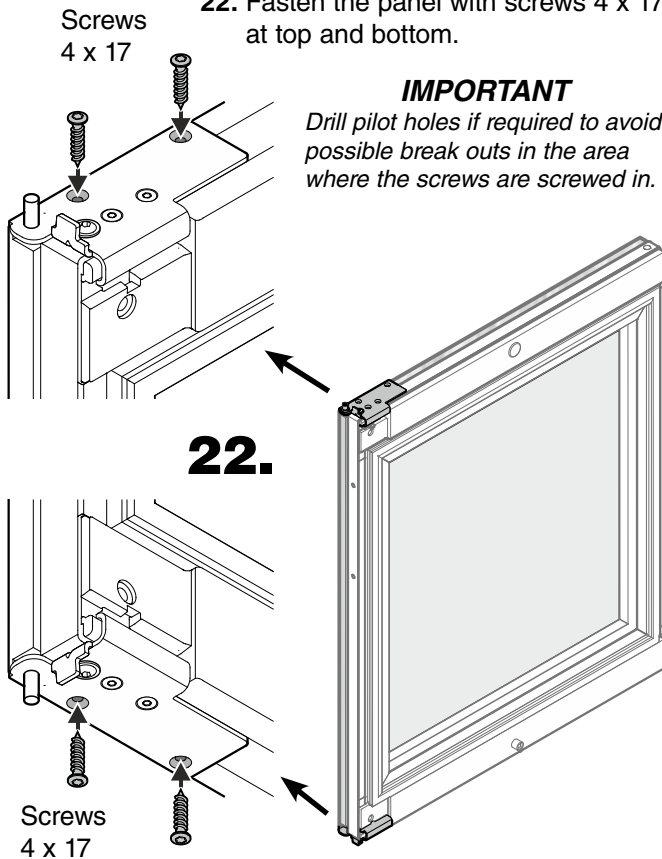


# INSTALLATION

**21.** Screw in the countersunk screws M4 x 16 at top and bottom.  
Use a Torx™ 20 key.

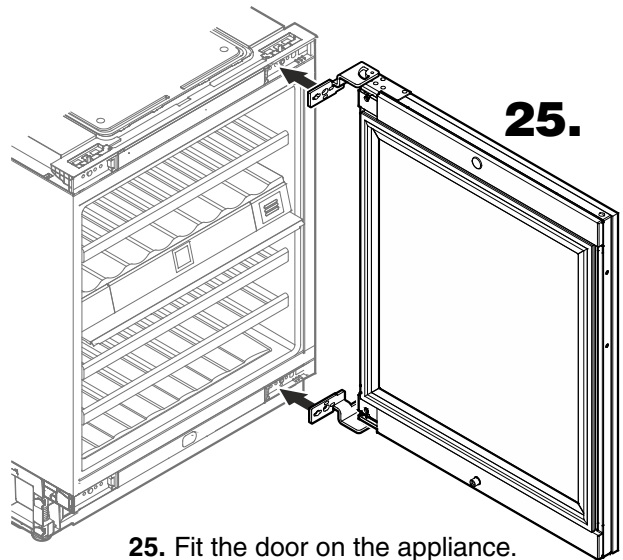
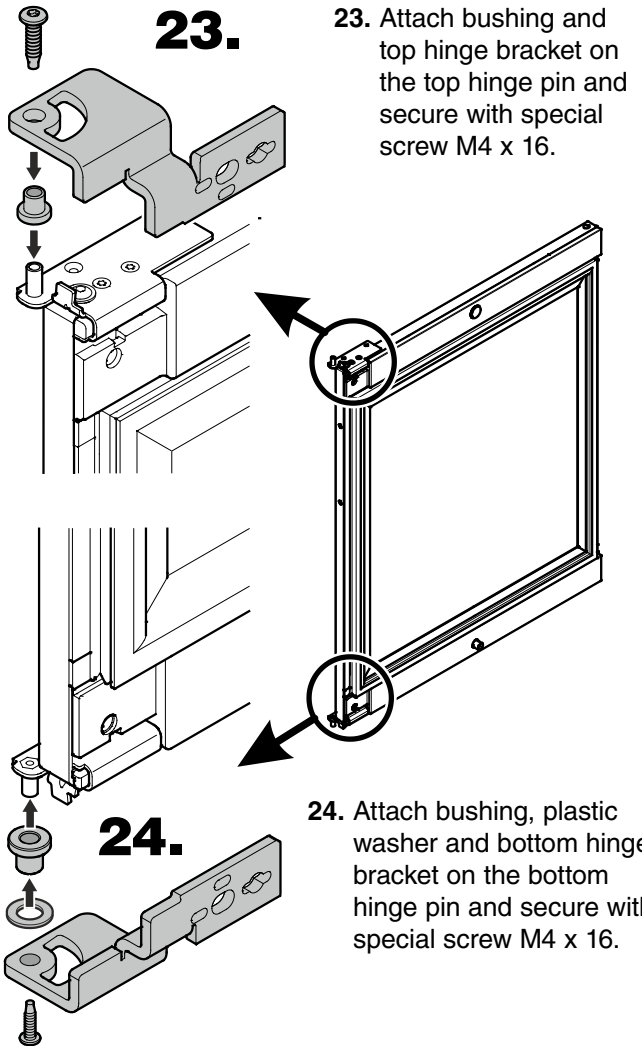


**22.** Fasten the panel with screws 4 x 17 at top and bottom.



**IMPORTANT**

*Drill pilot holes if required to avoid possible break outs in the area where the screws are screwed in.*

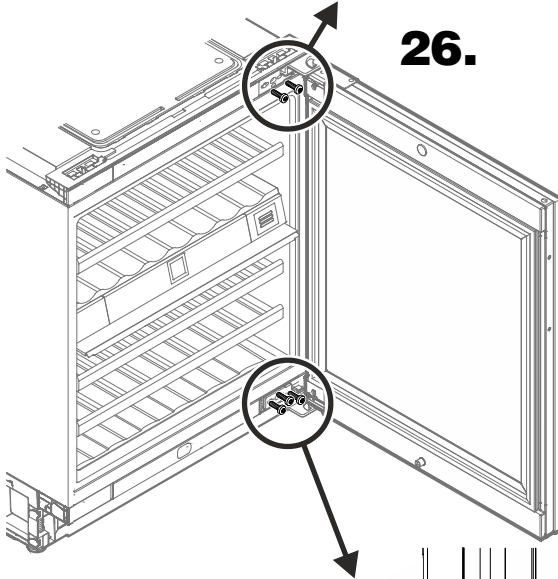
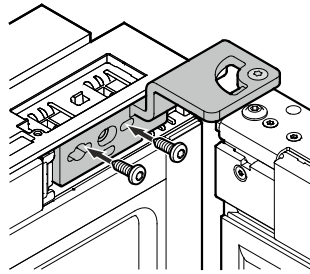


**IMPORTANT**

*The door must now be held secure by another person.*

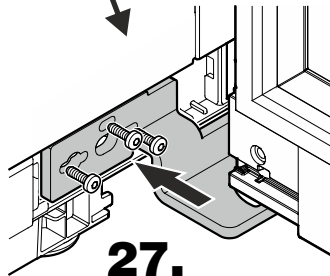


26. Screw into place the top hinge bracket with **two** screws (from step 7) through the holes shown on the right.



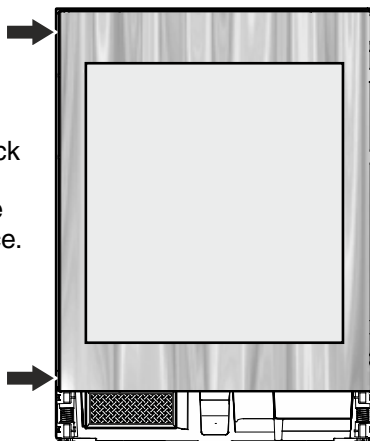
**26.**

27. Screw into place the top hinge bracket with **three** screws (from step 8) through the holes shown on the right.



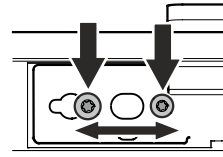
**27.**

**28.**



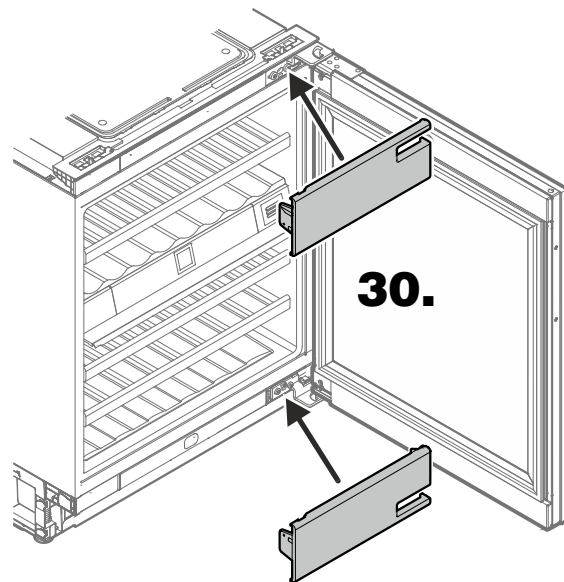
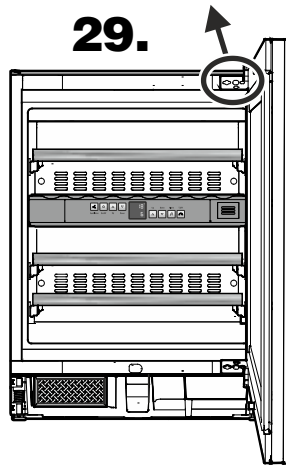
28. Close door and check to ensure that it is aligned with the side walls of the appliance.

**Adjusting the lateral tilt of the door**  
If the door is at an angle, adjust the angle.



29. Undo screws and slide hinge bracket to the right or left.  
Tighten screws.

**29.**



**30.**

30. Fit the covers.

**Installation is now complete.**





## **For Service in the U.S.**

### **Liebherr Service Center**

Toll Free: **1-866-LIEBHER** or **1-866-543-2437**

Email: [Service-appliances.us@liebherr.com](mailto:Service-appliances.us@liebherr.com)

### **PlusOne Solutions, Inc.**

3501 Quadrangle Blvd, Suite 120

Orlando, FL 32817

## **For Service in Canada**

### **Liebherr Service Center**

Toll Free: **1-888-LIEBHER** or **1-888-543-2437**

[www.euro-parts.ca](http://www.euro-parts.ca)

### **EURO-PARTS CANADA**

39822 Belgrave Road

Belgrave, Ontario, N0G 1E0

Phone: (519) 357-3320

Fax: (519) 357-1326