



# cabrio®

TOP-LOADING  
HIGH EFFICIENCY  
LOW-WATER WASHER  
USE AND CARE GUIDE

LAVEUSE HAUTE  
EFFICACITÉ À FAIBLE  
CONSOMMATION D'EAU  
AVEC CHARGEMENT  
PAR LE DESSUS  
GUIDE D'UTILISATION  
ET D'ENTRETIEN

## Table of Contents

WASHER SAFETY .....	2
WHAT'S NEW UNDER THE LID? .....	3
CONTROL PANEL AND FEATURES .....	4
Dispensers .....	5
CYCLE GUIDE .....	6
USING YOUR WASHER .....	8
Using Laundry Product Dispensers .....	9
Starting Your Washer .....	9
WASHER MAINTENANCE .....	11
TROUBLESHOOTING .....	13
WARRANTY .....	18
ASSISTANCE OR SERVICE .....	Back Cover

## Table des Matières

SÉCURITÉ DE LA LAVEUSE .....	19
QUOI DE NEUF SOUS LE COUVERCLE? .....	20
TABLEAU DE COMMANDE ET CARACTÉRISTIQUES .....	21
Distributeurs .....	22
GUIDE DES PROGRAMMES .....	23
UTILISATION DE LA LAVEUSE .....	26
Utilisation de distributeurs de produits de lessive .....	27
Mise en marche de la laveuse .....	27
ENTRETIEN DE LA LAVEUSE .....	29
DÉPANNAGE .....	31
GARANTIE .....	38
ASSISTANCE OU SERVICE .....	Couverture arrière

Para una version en español, visite [www.whirlpool.com](http://www.whirlpool.com)



Designed to use only HE High Efficiency detergents.  
Conçue pour l'utilisation d'un détergent haute efficacité seulement.



Certified to Sanitize  
and to Reduce Allergens  
Homologué pour assainir  
et pour réduire la présence d'allergènes

## WASHER SAFETY

### Your safety and the safety of others are very important.

We have provided many important safety messages in this manual and on your appliance. Always read and obey all safety messages.



This is the safety alert symbol.

This symbol alerts you to potential hazards that can kill or hurt you and others.

All safety messages will follow the safety alert symbol and either the word "DANGER" or "WARNING." These words mean:

**! DANGER**

**You can be killed or seriously injured if you don't immediately follow instructions.**

**! WARNING**

**You can be killed or seriously injured if you don't follow instructions.**

All safety messages will tell you what the potential hazard is, tell you how to reduce the chance of injury, and tell you what can happen if the instructions are not followed.

### IMPORTANT SAFETY INSTRUCTIONS

**WARNING:** To reduce the risk of fire, electric shock, or injury to persons when using the washer, follow basic precautions, including the following:

- Read all instructions before using the washer.
- Do not wash articles that have been previously cleaned in, washed in, soaked in, or spotted with gasoline, dry-cleaning solvents, other flammable, or explosive substances as they give off vapors that could ignite or explode.
- Do not add gasoline, dry-cleaning solvents, or other flammable, or explosive substances to the wash water. These substances give off vapors that could ignite or explode.
- Under certain conditions, hydrogen gas may be produced in a hot water system that has not been used for 2 weeks or more. **HYDROGEN GAS IS EXPLOSIVE.** If the hot water system has not been used for such a period, before using the washing machine, turn on all hot water faucets and let the water flow from each for several minutes. This will release any accumulated hydrogen gas. As the gas is flammable, do not smoke or use an open flame during this time.
- Do not allow children to play on or in the washer. Close supervision of children is necessary when the washer is used near children.
- Before the washer is removed from service or discarded, remove the door or lid.
- Do not reach into the washer if the drum, tub or agitator is moving.
- Do not install or store the washer where it will be exposed to the weather.
- Do not tamper with controls.
- Do not repair or replace any part of the washer or attempt any servicing unless specifically recommended in this manual or in published user-repair instructions that you understand and have the skills to carry out.
- See "Electrical Requirements" located in the installation instructions for grounding instructions.

**SAVE THESE INSTRUCTIONS**

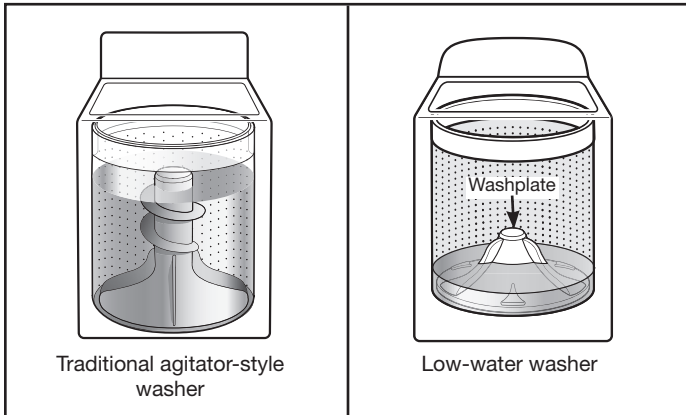
State of California Proposition 65 Warnings:

**WARNING:** This product contains one or more chemicals known to the State of California to cause cancer.

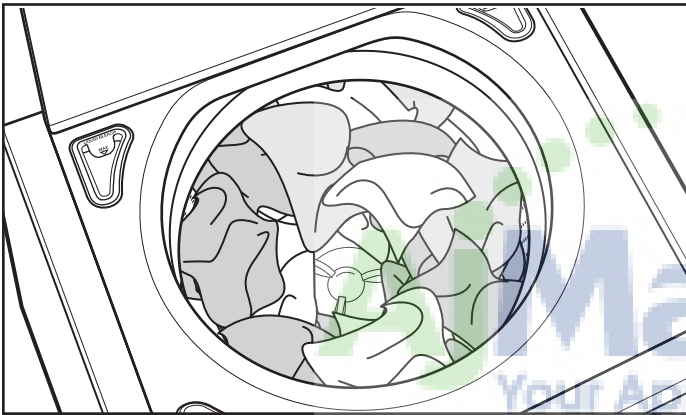
**WARNING:** This product contains one or more chemicals known to the State of California to cause birth defects or other reproductive harm.

## WHAT'S NEW UNDER THE LID?

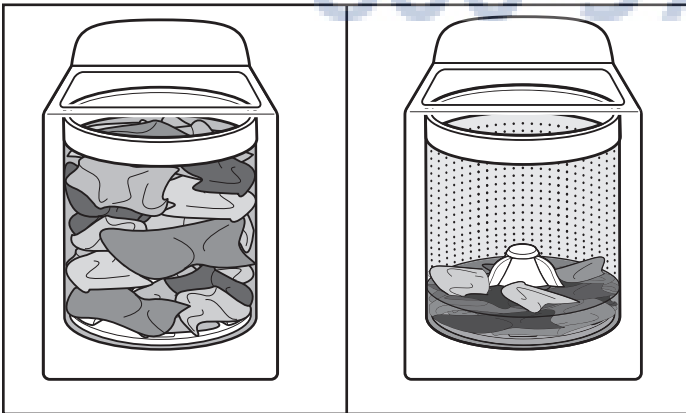
### Cleaning with Less Water



The most striking difference in your new washer is the low-water washplate wash system. The washer automatically adjusts the water level to the load size—no water level selector is needed.



Load garments in loose heaps evenly around the washplate. Do not load garments directly over the center of the washplate; when loaded, the center of the washplate should be visible.



As the washer dampens and moves the load, the level of the garments will settle in the basket. This is normal, and does not indicate that more garments should be added.

**IMPORTANT:** You will not see a washer basket full of water as with your past agitator-style washer. It is normal for some of the load to be above the water line.

### Automatic Load Size Sensing

Once you start the cycle, the lid will lock, and the washer will begin the sensing process to determine the correct water level for the load.

You will hear the motor turn the basket in short pulses to thoroughly wet the load. This low-water wash method uses less water and energy compared to a traditional agitator-style washer.

### Choosing the Right Detergent

Use only High Efficiency detergents. The package will be marked "HE" or "High Efficiency." Low-water washing creates excessive sudsing with a regular non-HE detergent. Using regular detergent will likely result in longer cycle times and reduced rinsing performance. It may also result in component failures and noticeable mold or mildew. HE detergents are made to produce the right amount of suds for the best performance. Follow the manufacturer's instructions to determine the amount of detergent to use.



Use only High Efficiency (HE) detergent.

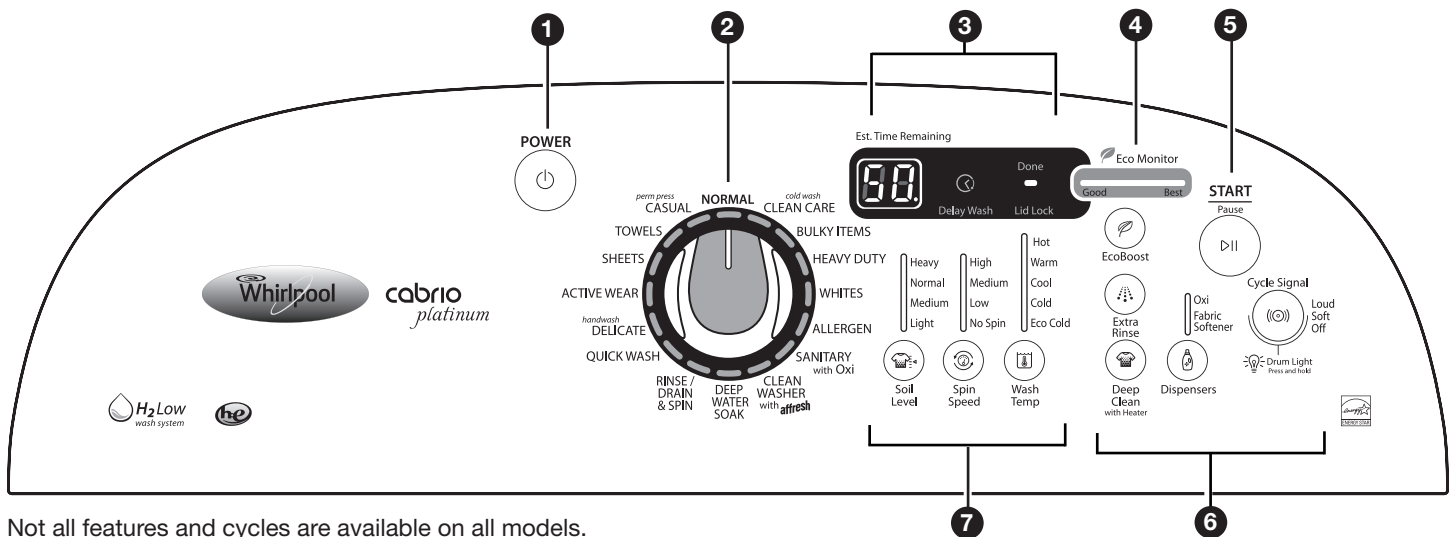
### Concentrated Cleaning

Low-water cleaning means concentrated cleaning. Rather than diluting detergent as done in an agitator-style washer, this washer delivers the detergent directly to the soils.

### Normal Sounds You Can Expect

At different stages of the wash cycle, you may hear sounds and noises that are different from those of your previous washer. For example, you may hear a clicking and hum at the beginning of the cycle, as the lid lock goes through a self-test. There will be different kinds of humming and whirring sounds as the washplate moves the load. And sometimes, you may hear nothing at all, as the washer determines the correct water level for your load or allows time for clothes to soak.

# CONTROL PANEL AND FEATURES



Not all features and cycles are available on all models.

## 1 POWER BUTTON

Press to turn the washer ON. Pressing once while the washer is on will cancel the current cycle, pressing twice will turn the washer OFF.

## 2 WASH CYCLE KNOB

Turn the Wash Cycle knob to select a cycle for your laundry load. See "Cycle Guide" for detailed descriptions of cycles.

## 3 TIME/STATUS DISPLAY

The Estimated Time Remaining display shows the time required for the cycle to complete. Factors such as load size and water pressure may affect the time shown in the display. Overloading, unbalanced loads, or excessive suds may cause the washer to adjust the cycle time, as well.

If you have set a delay start to the cycle, the Estimated Time Remaining display will show the delay time adjusted.

When the cycle is complete, the Done indicator will light until the lid is opened.

The Lid Lock indicator lights up when the lid is locked and cannot be opened. If you need to open the lid, press START/PAUSE. The lid will unlock once the washer movement has stopped. This may take several minutes if the load was spinning at high speed. Press START/PAUSE again to restart the cycle.

## 4 ECO MONITOR

Your washer is specially designed to conserve energy and water. Each cycle, along with any selected options, will result in different energy and water usage. To use the Eco Monitor, choose the best cycle for the load being washed, then adjust temperature and spin speed options to improve the energy usage within that cycle.

## 5 START/PAUSE BUTTON

Press to start the selected cycle; press again to pause a cycle.

## 6 CYCLE OPTIONS

You may add or remove options for each cycle. Not all options can be used with all cycles, and some are preset to work with certain cycles.

### ECOBOOST

The EcoBoost option allows you to increase your energy savings on your wash cycles. When this option is used, the wash cycle will use cooler wash water than the selected cycle and may increase the spin speed for faster drying.

### EXTRA RINSE

This option can be used to automatically add a second rinse to most cycles.

### DEEP CLEAN with HEATER

The Deep Clean with Heater option helps to ensure better soil and stain removal. Deep Clean uses a heater within the washer to maintain the selected temperature setting throughout the wash period. This option will add some additional time to the cycle based on which temperature is selected. It is a preset cycle setting on the Sanitary cycle. Deep Clean with Heater may be selected as an option with other cycles.

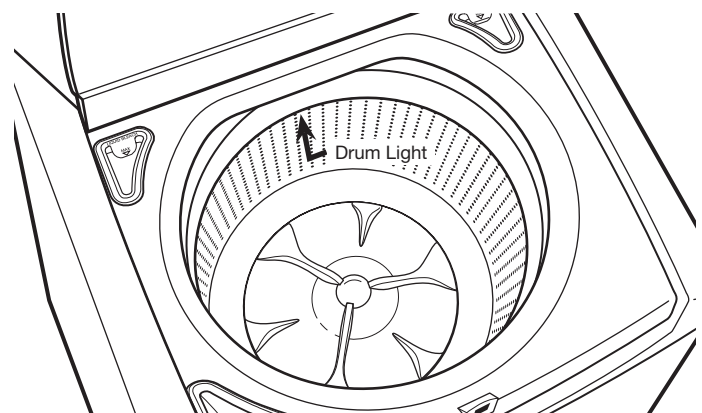
### DISPENSERS

Press this button to set the dispensers for Oxi, Fabric Softener, or both so that the selected laundry product is added to the load at the correct time.

### CYCLE SIGNAL

Use this option to adjust volume of the signal that sounds at end of cycle. A louder signal is helpful in removing items as soon as cycle is complete.

Press and hold the CYCLE SIGNAL button to illuminate the washer drum, making loading and unloading easier. The light comes on when the lid is opened, and turns off automatically when the lid is closed or when you press and hold the button again. If the lid is left open, the drum light will turn off on its own after a few minutes. If you turn on the drum light while the lid is closed, it will not automatically time out. You must press and hold the CYCLE SIGNAL button again to turn it off.



## 7 CYCLE MODIFIERS

When you select a cycle, its default settings will light up.

### SOIL LEVEL

Soil Level (wash time) is preset for each wash cycle. As you press the Soil Level pad, the cycle time (minutes) will increase or decrease in the Estimated Time Remaining display and a different wash time will appear.

For most loads, use the Soil Level that is preset with the cycle you have chosen. For heavily soiled and sturdy fabrics, press SOIL LEVEL to select more wash time, if needed. For lightly soiled and delicate fabrics, press SOIL LEVEL to select less wash time, if needed. A lower Soil Level setting will help reduce tangling and wrinkling.

### SPIN SPEED

This washer automatically selects the spin speed based on the cycle selected. The preset speeds can be changed. Not all spin speeds are available with all cycles.

- Faster spin speeds mean shorter dry times, but may increase wrinkling in your load.
- Slower spin speeds mean less wrinkling, but will leave your load more damp.

## WASH TEMP

Temperature Control senses and maintains uniform water temperatures by regulating incoming hot and cold water.

Select a wash temperature based on the type of fabric and soils being washed. For best results and following the garment label instructions, use the warmest wash water safe for your fabric.

- Warm and hot water may be cooler than what your previous washer provided.
- Even for cold wash settings, some warm water may be added to the washer to maintain a minimum temperature. For cold water with no warm water added, select Eco Cold.

## Dispensers

### A High Efficiency "HE" detergent dispenser

Add liquid or powdered HE detergent product to this dispenser for your main wash cycle.



Use only High Efficiency (HE) detergent.

### B Liquid chlorine bleach / Timed Oxi dispenser

**Liquid chlorine bleach:** This dispenser holds up to 3/4 cup (180 mL) liquid chlorine bleach. The bleach will be automatically diluted and dispensed at the optimum time during the wash cycle. This dispenser cannot dilute powdered bleach.

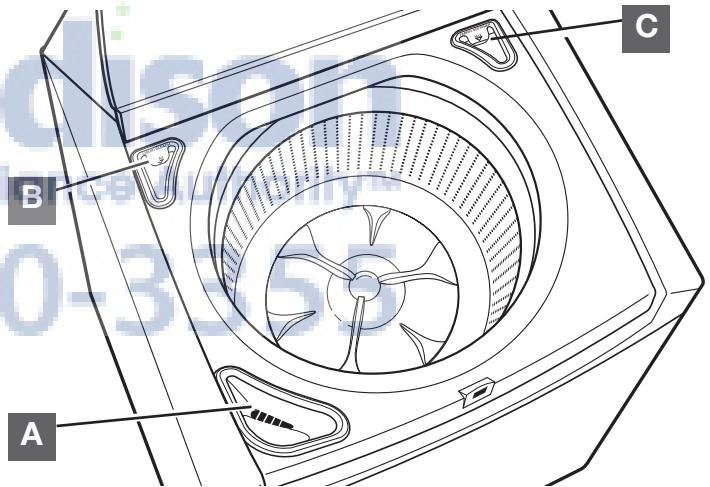
**Oxi:** This dispenser holds up to 3/4 cup (180 mL) Oxi booster or other laundry booster, such as powdered or liquid color-safe bleach. Laundry boosters are automatically dispensed at the proper time during the wash cycle. Be sure to select Timed Oxi from the options to assure proper dispensing.

**NOTE:** Fill dispenser with only bleach OR oxi. Do not mix products.

### C Liquid fabric softener dispenser

Pour measured liquid fabric softener into the liquid fabric softener dispenser, if desired. It will dispense automatically at the optimum time when the Fabric Softener option is selected.

- Use only liquid fabric softener in this dispenser.



# CYCLE GUIDE

Settings and options shown in **bold** are default settings for that cycle.

For best fabric care, choose the cycle that best fits the load being washed.

If using the Eco Monitor, adjust the temperature and spin speed within that cycle to improve energy usage.

Not all cycles and options are available on all models.

Items to wash:	Cycle:	Wash Temp*:	Spin Speed:	Soil Level:	Available Options:	Cycle Details:
Lightly soiled garments	Quick Wash	Hot <b>Warm</b> Cool Cold Eco Cold	<b>High</b> Medium Low No Spin	Heavy Normal Medium <b>Light</b>	Deep Clean Extra Rinse Fabric Softener Oxi	Use this cycle to wash small loads of 2-3 lightly soiled garments that are needed in a hurry. This cycle combines a fast agitation, a shortened wash time, and a high-speed spin to shorten drying times.
Machine-wash silks, hand-wash fabrics and wool	Handwash/ Delicate	Warm Cool <b>Cold</b> Eco Cold	Medium <b>Low</b> No Spin	Heavy Normal Medium <b>Light</b>	Deep Clean Extra Rinse Fabric Softener Oxi	Use this cycle for machine washable delicate garments. This cycle uses intermittent wash action with cool water and slow spin to gently care for fine washables and avoid shrinkage. Place small items in mesh bags before washing.
Athletic and high-performance wear	Active Wear	Hot <b>Warm</b> Cool Cold Eco Cold	High <b>Medium</b> Low No Spin	Heavy Normal <b>Medium</b> Light	Deep Clean <b>Extra Rinse</b> EcoBoost Fabric Softener <b>Oxi</b>	Use this cycle to wash loads of no-iron fabrics such as sport shirts and other active wear.
Normally soiled sheets	Sheets	Hot <b>Warm</b> Cool Cold Eco Cold	High <b>Medium</b> Low No Spin	Heavy Normal <b>Medium</b> Light	Extra Rinse EcoBoost Fabric Softener Oxi	Use this cycle to wash bed sheets. This cycle uses extra water and a special wash action to reduce tangling.
Towels and terrycloth items	Towels	Hot <b>Warm</b> Cool Cold Eco Cold	High <b>Medium</b> Low No Spin	Heavy <b>Normal</b> Medium Light	Deep Clean Extra Rinse EcoBoost Fabric Softener Oxi	This cycle defaults to a warm wash and medium spin speed. Hotter temperatures help remove soils and odors; faster spin speeds will reduce drying times.
No-iron fabrics	Perm Press/ Casual	Hot <b>Warm</b> Cool Cold Eco Cold	High <b>Medium</b> Low No Spin	Heavy Normal <b>Medium</b> Light	Deep Clean Extra Rinse EcoBoost Fabric Softener Oxi	Use this cycle for lightly soiled office wear. The cycle uses a warm wash, a cooldown, and medium spin speeds for better wrinkle performance.
Cottons, linens, and mixed garment loads	Normal	Hot <b>Warm</b> Cool Cold Eco Cold	High <b>Medium</b> No Spin	Heavy <b>Normal</b> Medium Light	Extra Rinse EcoBoost Fabric Softener Oxi	Use this cycle to clean normally soiled cottons, linens, and mixed fabric loads. Default settings can be adjusted as needed.
Bright or darkly colored cottons, linens, casual and mixed loads	Cold Wash/ Clean Care	<b>Cold</b> Eco Cold	<b>High</b> Medium Low No Spin	<b>Heavy</b> Normal Medium Light	Extra Rinse EcoBoost Fabric Softener Oxi	This cycle uses cold water wash and a concentrated detergent solution to gently lift out stains and care for fabrics. Settings may be adjusted as desired, but must use only cold water settings.
Large items such as sleeping bags, small comforters, jackets	Bulky Items	Hot <b>Warm</b> Cool Cold Eco Cold	<b>Medium</b> Low No Spin	Heavy Normal <b>Medium</b> Light	Extra Rinse EcoBoost Fabric Softener Oxi	This cycle is designed for oversized items that do not easily absorb water, such as comforters, pillows, and poly-filled jackets. The cycle uses an initial soak to thoroughly saturate the item(s).
Sturdy fabrics, colorfast items	Heavy Duty	Hot <b>Warm</b> Cool Cold Eco Cold	<b>High</b> Medium Low No Spin	<b>Heavy</b> Normal Medium Light	Deep Clean Extra Rinse EcoBoost Fabric Softener Oxi	Use this cycle for heavily soiled or sturdy cotton items. This cycle combines high-speed wash action, longer wash time, and extra high-speed spin to shorten drying times. Adjust temperature settings as needed.

\* Wash temperatures vary according to the chosen cycle setting. All cycle settings use a cold rinse temperature.

# CYCLE GUIDE

Settings and options shown in **bold** are default settings for that cycle.

For best fabric care, choose the cycle that best fits the load being washed.

If using the Eco Monitor, adjust the temperature and spin speed within that cycle to improve energy usage.

Not all cycles and options are available on all models.

Items to wash:	Cycle:	Wash Temp*:	Spin Speed:	Soil Level:	Available Options:	Cycle Details:
Heavily soiled white fabrics	Whites	<b>Hot</b> Warm Cool Cold Eco Cold	High <b>Medium</b> Low No Spin	<b>Heavy</b> Normal Medium Light	Deep Clean <b>Extra Rinse</b> EcoBoost Fabric Softener Oxi	This cycle adds liquid chlorine bleach to the load at the proper time for improved whitening of soiled white fabrics.
Cottons and linens exposed to possible allergens	Allergen†	<b>Hot</b>	<b>High</b> Medium Low No Spin	Heavy Normal Medium <b>Light</b>	Deep Clean Extra Rinse Fabric Softener <b>Oxi</b>	This cycle uses more water to flush out allergens, such as dust mites or pet dander, from normally soiled garments.
Heavily soiled, colorfast fabrics	Sanitary with Oxi††	<b>Hot</b>	<b>High</b> Medium Low No Spin	<b>Heavy</b> Normal Medium Light	<b>Deep Clean</b> Extra Rinse Fabric Softener <b>Oxi</b>	Use this cycle to eliminate 99.9% of bacteria when used in conjunction with the Deep Clean with Heater option. Preset cycle setting must be used to achieve the proper sanitization. Be sure to add an Oxi product to the Liquid Chlorine Bleach dispenser.
No clothes in washer	Clean Washer with Affresh™				EcoBoost	Use this cycle every 30 washes to keep the inside of your washer fresh and clean. This cycle uses a higher water level. Use with AFFRESH® washer cleaner tablet or liquid chlorine bleach to thoroughly clean the inside of your washer. This cycle should not be interrupted. See “Cleaning Your Washer.” <b>IMPORTANT:</b> Do not place garments or other items in the washer during the Clean Washer with AFFRESH™ cycle. Use this cycle with an empty wash tub.
Heavily soiled fabrics	Deep Water Soak	Warm <b>Cool</b> Cold Eco Cold	<b>No Spin</b>	Heavy Normal Medium <b>Light</b>	EcoBoost	Adjustable soak time to loosen heavy soils. At the end of the cycle, the washer will drain but not spin, and a tone will sound. To set a follow-up cycle, add additional detergent and select a cycle based on fabric type.
Swimsuits, items that need rinsing only.	Rinse/Drain & Spin		<b>High</b> Medium Low No Spin		EcoBoost Fabric Softener	This cycle uses a high-speed spin. For some fabrics, you may wish to set the spin speed to a lower setting.
Wet load of clothes	Rinse/Drain & Spin		<b>High</b> Medium Low			To select, choose Rinse/Drain & Spin and turn off Extra Rinse. Use this cycle to spin excess water out of a load. This cycle drains the water and spins at a high speed. Spin speed is adjustable.

\* Wash temperatures vary according to the chosen cycle setting. All cycle settings use a cold rinse temperature.

Model: WTW8800Y\*\*



† **Allergen**

Allergen cycle certified by NSF International, an independent, third party testing and certification organization. The certification verified that this cycle reduced tested allergens by at least 95.0% and maintained the water temperature necessary to kill dust mites. Only the Allergen cycle has been designed to meet the requirements of NSF Protocol P351 for Allergen Reduction Performance effectiveness.



†† **Sanitary with Oxi**

Sanitary with Oxi cycle certified by NSF International, an independent, third party testing and certification organization. The certification verified that the cycle reduced 99.9% of bacteria typically found in clothing, bedding, and towels. There is no carry over of bacteria between loads after the cycle is complete. Only the Sanitary with Oxi cycle has been designed to meet the requirements of NSF Protocol P12 for Sanitizing Effectiveness.

# USING YOUR WASHER

## ⚠️ WARNING



### Fire Hazard

Never place items in the washer that are dampened with gasoline or other flammable fluids.

No washer can completely remove oil.

Do not dry anything that has ever had any type of oil on it (including cooking oils).

Doing so can result in death, explosion, or fire.

## ⚠️ WARNING



### Electrical Shock Hazard

Plug into a grounded 3 prong outlet.

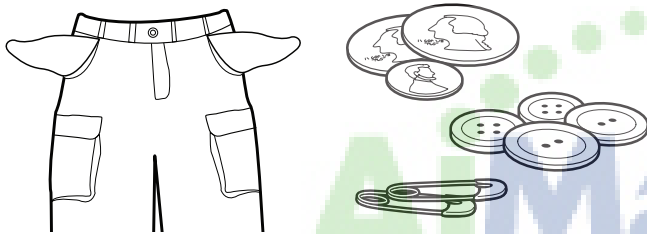
Do not remove ground prong.

Do not use an adapter.

Do not use an extension cord.

Failure to follow these instructions can result in death, fire, or electrical shock.

## 1. Sort and prepare your laundry



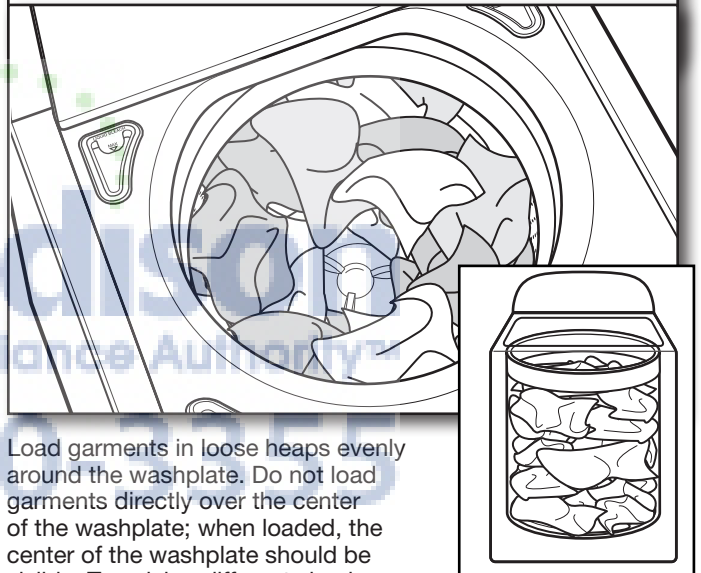
- Empty pockets. Loose change, buttons, or any small object can pass under the washplate and become trapped, causing unexpected sounds.
- Sort garments by recommended cycle, water temperature, and colorfastness.
- Separate heavily soiled garments from lightly soiled.
- Separate delicate garments from sturdy fabrics.
- Do not dry garments if stains remain after washing; heat can set stains into fabric.
- Treat stains promptly.
- Close zippers, fasten hooks, tie strings and sashes. Remove non-washable trim and ornaments.
- Mend rips and tears to avoid further damage to garments during washing.

### Helpful Tips:

- When washing water-proof or water-resistant items, load evenly. See “Cycle Guide” for tips and more information on using the Bulky Items cycle.
- Use mesh bags to help avoid tangling when washing delicate or small items.
- Turn knits inside out to avoid pilling. Separate lint-takers from lint-givers. Synthetics, knits, and corduroy fabrics will pick up lint from towels, rugs, and chenille fabrics.

**NOTE:** Always read and follow fabric care labels instructions to avoid damage to your garments.

## 2. Load laundry into washer

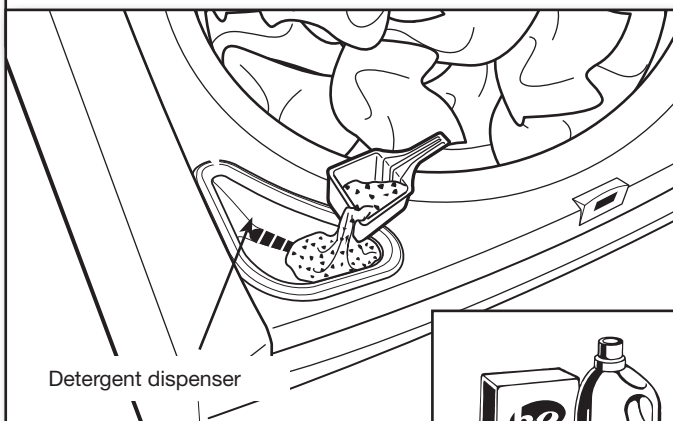


Load garments in loose heaps evenly around the washplate. Do not load garments directly over the center of the washplate; when loaded, the center of the washplate should be visible. Try mixing different sized garments to reduce tangling.

**IMPORTANT:** Garments need to move freely for best cleaning and to reduce wrinkling and tangling.

## Using Laundry Product Dispensers

### 3. Add HE detergent to dispenser

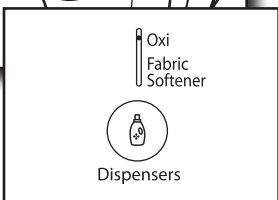
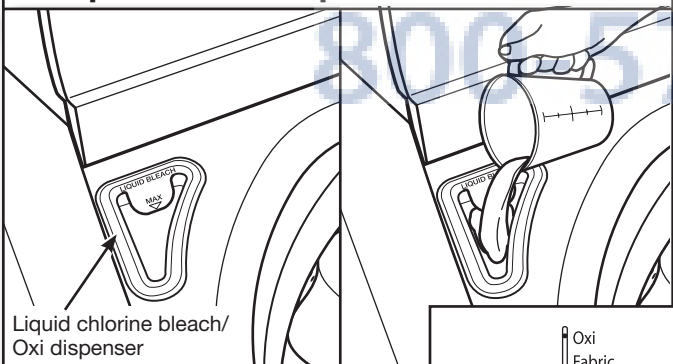


Add a measured amount of HE detergent into detergent dispenser.

**IMPORTANT:** Use only High Efficiency detergents. The package will be marked “HE” or “High Efficiency.” Low-water washing creates excessive sudsing with a regular non-HE detergent. Using regular detergent will likely result in longer cycle times and reduced rinsing performance. It may also result in component failures and noticeable mold or mildew. HE detergents are made to produce the right amount of suds for the best performance. Follow the manufacturer’s instructions to determine the amount of detergent to use.

**HELPFUL TIP:** See “Washer Maintenance” for information on recommended method of cleaning washer dispensers.

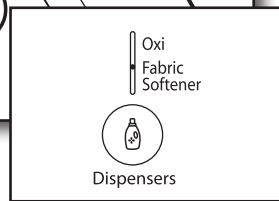
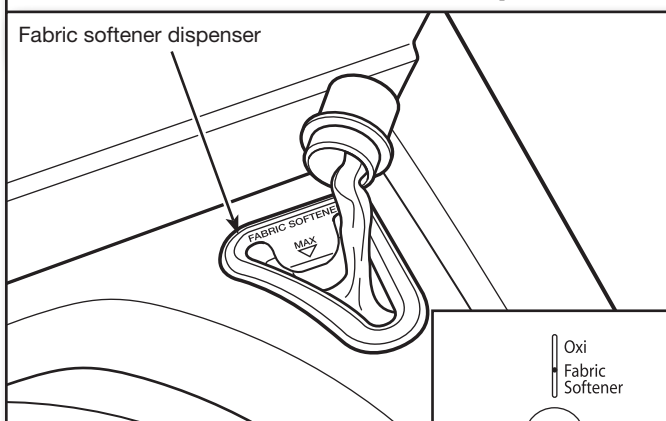
### 4. Add liquid chlorine bleach or Oxi product to dispenser



Add liquid chlorine bleach or Oxi laundry boost product to the dispenser. When using Oxi products or other laundry boosters (liquid or powdered color-safe bleach), select the Oxi option, press the Dispensers button until Oxi is selected. It is not necessary to select the Oxi option when using liquid chlorine bleach.

- Do not overfill, dilute, or use more than 3/4 cup (180 mL) of liquid chlorine bleach. Overfilling will cause the bleach or Oxi product to dispense immediately into the washer.
- Do not use color-safe bleach or Oxi products in the same cycle with liquid chlorine bleach.

### 5. Add fabric softener to dispenser



Pour a measured amount of liquid fabric softener into dispenser; always follow manufacturer’s directions for correct amount of fabric softener based on your load size. Then select Fabric Softener option using the Dispensers button.

**IMPORTANT:** Fabric Softener option must be selected to ensure proper distribution at correct time in cycle. Do not overfill or dilute. Overfilling dispenser will cause fabric softener to immediately dispense into washer. If Extra Rinse option is selected, fabric softener will be dispensed in the last rinse.

**NOTE:** Do not use liquid fabric softener dispenser balls in this washer. They will not dispense correctly.

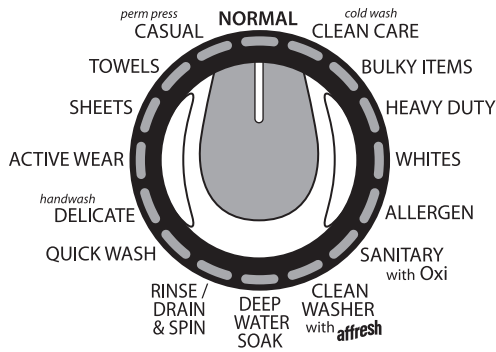
## Starting Your Washer

### 6. Press POWER to turn on washer

POWER



## 7. Select cycle



Turn cycle knob to choose your wash cycle. Estimated Time Remaining will light up with a cycle time. You may notice time adjusting during the cycle. This is normal.

If you do not want to begin a cycle immediately, you may choose DELAY WASH option.

### To choose a delay time:

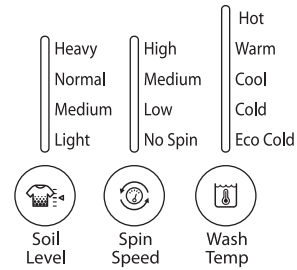
1. Press DELAY WASH button to select desired delay time.
2. Press START/PAUSE.

### To cancel delaying a cycle:

1. Press START/PAUSE again to begin a wash cycle immediately.

**IMPORTANT:** When delaying a cycle, use liquid HE detergent only in the dispenser. Powdered detergents may absorb moisture from a previous cycle and clump before the wash cycle begins.

## 8. Select cycle modifiers

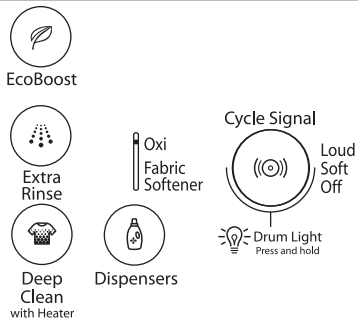


Once you select a cycle, the default modifiers for that cycle will be lit. Press the cycle settings buttons to change the Soil Level, Spin Speed, and Wash Temp, if desired. Not all settings are available with all cycles.

**NOTE:** Always read and follow fabric care labels instructions to avoid damage to your garments.

Wash Temp	Suggested Fabrics
<b>Hot</b> Some cold water is added to save energy. This will be cooler than your hot water heater setting.	Whites and pastels Durable garments Heavy soils
<b>Warm</b> Some cold water will be added, so this may be cooler than what your previous washer provided.	Bright colors Moderate to light soils
<b>Cool</b> Warm water is added to assist in soil removal and to help dissolve detergents.	Colors that bleed or fade Light soils
<b>Cold</b> Warm water may be added to assist in soil removal and to help dissolve detergents.	Dark colors that bleed or fade Light soils
<b>Eco Cold</b> This is the temperature from your faucet.	Dark colors that bleed or fade Light soils

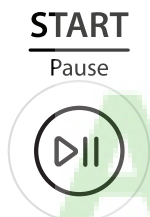
## 9. Select cycle options



Select any other cycle options you may wish to add, if not previously set. Some cycles will automatically add certain options such as Deep Clean with Heater or Extra Rinse. These may be turned off, if desired.

**NOTE:** Not all options are available with all cycles.

## 10. Press START/PAUSE to begin wash cycle



Press the START/PAUSE button to start the wash cycle. When the cycle has finished, the DONE indicator will light and the end of cycle signal will sound (if set). Promptly remove garments when cycle is done to avoid odor, reduce wrinkling, and rusting of metal hooks, zippers, and snaps.

### Unlocking the lid to add garments

If you need to open the lid to add 1 or 2 missed garments:

Press START/PAUSE; the lid will unlock once the washer movement has stopped. This may take several minutes if the load was spinning at high speed. Then close lid and press START/PAUSE again to restart the cycle.

If lid is left open for more than 10 minutes the water will pump out.

## WASHER MAINTENANCE

### WATER INLET HOSES

Replace inlet hoses after 5 years of use to reduce the risk of hose failure. Periodically inspect and replace inlet hoses if bulges, kinks, cuts, wear, or leaks are found.

When replacing your inlet hoses, mark the date of replacement on the label with a permanent marker.

**NOTE:** This washer does not include inlet hoses. See the "Installation Instructions" for more information.

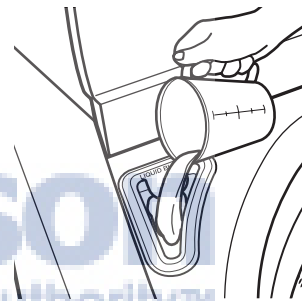
### CLEANING YOUR WASHER

Keep your washer as clean and fresh as your clothes. To keep washer interior odor-free, follow this recommended cleaning procedure after every 30 washes:

1. Make sure the washer is empty.
2. Using recommended AFFRESH® washer cleaner, add one tablet to washer drum.

OR

If using liquid chlorine bleach, add 3/4 cup (180 mL) to liquid chlorine bleach dispenser.



**IMPORTANT:** Do not add detergent to CLEAN WASHER with AFFRESH® cycle. Do not use more than recommended amount of bleach to avoid damaging product over time.

3. Close washer lid.
4. Press POWER.
5. Select CLEAN WASHER with AFFRESH® cycle.
6. Press START/PAUSE. Water will pour into washer for a moment and pause, lid will lock, then cycle will continue.

**NOTE:** For best results, do not interrupt cycle. If cycle must be interrupted, press START/PAUSE twice and run a RINSE & SPIN cycle to ensure cleaner or bleach have been rinsed from washer.

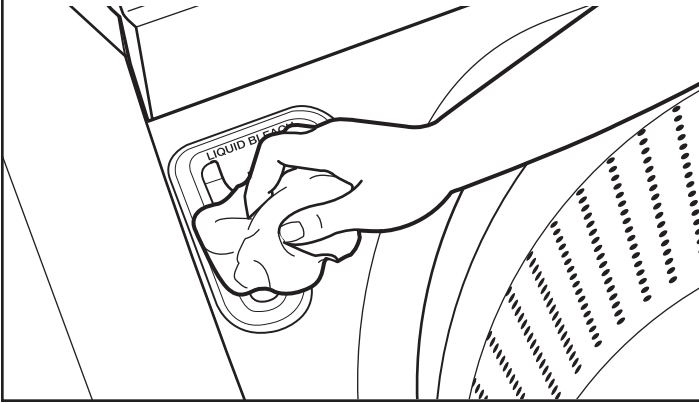
### To clean exterior:

1. Use a soft, damp cloth or sponge to wipe up any spills.
2. Use all-purpose surface cleaner, if needed.

**IMPORTANT:** To avoid damaging the washer's finish, do not use abrasive products.

## CLEANING YOUR DISPENSERS

You may find laundry product residue leftover in your dispensers. To remove residue, wipe with a damp cloth and towel dry.



## TRANSPORTING YOUR WASHER

1. Shut off both water faucets. Disconnect and drain water inlet hoses.
2. If washer will be moved during freezing weather, follow WINTER STORAGE CARE directions before moving.
3. Disconnect drain from drain system.
4. Unplug power cord.
5. Place inlet hoses inside washer basket.
6. Drape power cord and drain hose over the console and secure with masking tape.
7. Place foam packing ring from original shipping materials back inside washer. If you do not have packing ring, place heavy blankets or towels into basket opening. Close lid and place tape over lid and down front of washer. Keep lid taped until washer is placed in new location.

## NON-USE AND VACATION CARE

Operate your washer only when you are home. If moving, or not using your washer for a period of time, follow these steps:

1. Unplug or disconnect power to washer.
2. Turn off water supply to washer, to avoid flooding due to water pressure surge.

## WINTER STORAGE CARE

**IMPORTANT:** To avoid damage, install and store washer where it will not freeze. Because some water may stay in hoses, freezing can damage washer. If storing or moving during freezing weather, winterize your washer.

### To winterize washer:

1. Shut off both water faucets; disconnect and drain water inlet hoses.
2. Put 1 qt. (1 L) of R.V.-type antifreeze in basket and run washer on RINSE & SPIN cycle for about 30 seconds to mix antifreeze and remaining water.
3. Unplug washer or disconnect power.

## ⚠ WARNING



### Electrical Shock Hazard

Plug into a grounded 3 prong outlet.

Do not remove ground prong.

Do not use an adapter.

Do not use an extension cord.

**Failure to follow these instructions can result in death, fire, or electrical shock.**

## REINSTALLING/USING WASHER AGAIN

To reinstall washer after non-use, vacation, winter storage or moving:

1. Refer to "Installation Instructions" to locate, level, and connect washer.
2. Before using again, run washer through the following recommended procedure:

### To use washer again:

1. Flush water pipes and hoses. Reconnect water inlet hoses. Turn on both water faucets.
2. Plug in washer or reconnect power.
3. Run washer through BULKY ITEMS cycle to clean washer and remove antifreeze, if used. Use only HE High Efficiency detergent. Use half the manufacturer's recommended amount for a medium-size load.

# TROUBLESHOOTING

First try the solutions suggested here or visit our website at [www.whirlpool.com/help](http://www.whirlpool.com/help) for assistance and to possibly avoid a service call.

If you experience	Possible Causes	Solution
<b>Vibration or Off-Balance</b>		
Vibration, rocking, or "walking"	Feet may not be in contact with the floor and locked.	Front and rear feet must be in firm contact with floor, and washer must be level to operate properly. Jam nuts must be tight against the bottom of the cabinet.
	Washer may not be level.	Check floor for flexing or sagging. If flooring is uneven, a 3/4" (19 mm) piece of plywood under your washer will reduce sound. See "Level the Washer" in the "Installation Instructions".
Vibration during spinning or washer stopped with all dial lights flashing	Load could be unbalanced.	Load garments in loose heaps evenly around the washplate. Do not load garments directly over the center of the washplate. Adding wet items to washer or adding more water to basket could unbalance washer.
		Avoid washing single items. Balance a single item such as a rug or jeans jacket with a few extra items. If the dial is flashing, redistribute the load, close the lid, and press START/PAUSE.
		Use Bulky Items cycle for oversized, non-absorbent items such as comforters or poly-filled jackets. Other items are not appropriate for Bulky Items cycle. See "Cycle Guide".
		Item or load not suitable for selected cycle. See "Cycle Guide" and "Using Your Washer" in this "Use and Care Guide".
<b>Noises - For normal operating sounds, go to <a href="http://www.whirlpool.com/help">www.whirlpool.com/help</a>.</b>		
Clicking or metallic noises	Objects caught in washer drain system.	Empty pockets before washing. Loose items such as coins could fall between basket and tub or may block pump. It may be necessary to call for service to remove items.
		It is normal to hear metal items on clothing such as metal snaps, buckles, or zippers touch against the stainless steel basket.
Gurgling or humming	Washer may be draining water.	It is normal to hear the pump making a continuous humming sound with periodic gurgling or surging as final amounts of water are removed during the spin/drain cycles.
Humming	The washer is sensing the load size.	You may hear the hum of the sensing spins after you have started the washer. This is normal. Sensing spins will take several minutes before water is added to the washer.
<b>Water Leaks</b>		
Check the following for proper installation:	Washer not level.	Water may splash off basket if washer is not level.
	Fill hoses not attached tightly.	Tighten fill-hose connection.
	Fill hose washers	Make sure all four fill hose flat washers are properly seated.
	Drain hose connection	Pull drain hose from washer cabinet and properly secure it to drainpipe or laundry tub.
		Do not place tape over drain opening.
	Check household plumbing for leaks or clogged sink or drain.	Water can backup out of a clogged sink or drainpipe. Check all household plumbing for leaks (laundry tubs, drain pipe, water pipes, and faucets.)
Washer not loaded as recommended.	An unbalanced load can cause basket to be out of alignment and cause water to splash off tub. See "Using Your Washer" for loading instructions.	
<b>Washer not performing as expected</b>		
Not enough water in washer	Load not completely covered in water.	This is normal operation for an HE low-water washer. The load will not be completely underwater. The washer senses load sizes and adds correct amount of water for optimal cleaning. See "What's New under the Lid." <b>IMPORTANT:</b> Do not add more water to washer. Adding water lifts the garments off the washplate, resulting in less effective cleaning.

# TROUBLESHOOTING

First try the solutions suggested here or visit our website at [www.whirlpool.com/help](http://www.whirlpool.com/help) for assistance and to possibly avoid a service call.

If you experience	Possible Causes	Solution
<b>Washer not performing as expected (cont.)</b>		
Washer won't run or fill, washer stops working	Check for proper water supply.	Both hoses must be attached and have water flowing to inlet valve.
		Both Hot and Cold water faucets must be turned on.
		Check that inlet valve screens have not become clogged.
		Check for any kinks in inlet hoses, which can restrict water flow.

## ⚠ WARNING



### Electrical Shock Hazard

**Plug into a grounded 3 prong outlet.**

**Do not remove ground prong.**

**Do not use an adapter.**

**Do not use an extension cord.**

**Failure to follow these instructions can result in death, fire, or electrical shock.**

If you experience	Possible Causes	Solution	
<b>Washer not performing as expected (cont.)</b>			
Washer won't run or fill, washer stops working (cont.)	Check proper electrical supply.	Plug power cord into a grounded 3 prong outlet.	
		Do not use an extension cord.	
		Ensure there is power to outlet.	
		Reset a tripped circuit breaker. Replace any blown fuses. <b>NOTE:</b> If problems continue, contact an electrician.	
	Normal washer operation.		Lid must be closed for washer to run.
			Washer will pause during certain phases of cycle. Do not interrupt cycle.
			Washer may be stopped to reduce suds.
			The washer senses the dry load with short spins that may take 2 to 3 minutes before water is added. You may hear the hum of the spins. This is normal.
	Washer may be tightly packed.		Remove several items, rearrange load evenly around the washplate. Do not load garments directly over the center of the washplate. Close lid and press START/PAUSE.
			Add only 1 or 2 additional garments after cycle has started.
			Do not add more water to the washer.
	Not using HE detergent or using too much HE detergent.		Only use HE detergent. Suds from regular detergents can slow or stop the washer. Always measure detergent and following detergent directions based on your load requirements.
To remove suds, cancel cycle. Select DRAIN & SPIN. Select your cycle. Press START/PAUSE. Do not add more detergent.			
Washer not draining/spinning, loads are still wet	Empty pockets and use garment bags for small items.	Small items may have been caught in pump or between basket and tub, which can slow draining.	

# TROUBLESHOOTING

First try the solutions suggested here or visit our website at [www.whirlpool.com/help](http://www.whirlpool.com/help) for assistance and to possibly avoid a service call.

If you experience	Possible causes	Solution
<b>Washer not performing as expected (cont.)</b>		
Washer not draining/spinning, loads are still wet (cont.)	Using cycles with a lower spin speed.	Cycles with lower spin speeds remove less water than cycles with high spin speeds. Use the recommended cycle/speed spin for your garment.
	Washer may be tightly packed or unbalanced.	Tightly packed loads may not allow the washer to spin correctly, leaving the load wetter than normal. Evenly arrange the wet load for balanced spinning. Select DRAIN & SPIN to remove excess water. See "Using Your Washer" for loading recommendations.
	Check plumbing for correct drain hose installation. Drain hose extends into standpipe farther than 4.5" (114 mm).	Check drain hose for proper installation. Use drain hose form and securely attach to drainpipe or tub. Do not tape over drain opening. Lower drain hose if the end is higher than 96" (2.4 m) above the floor. Remove any clogs from drain hose.
	Not using HE detergent or using too much HE detergent.	Suds from regular detergent or using too much detergent can slow or stop draining or spinning. Use only HE detergent. Always measure and follow detergent directions for your load. To remove extra suds, Select RINSE & SPIN. Do not add detergent.
Incorrect or wrong wash or rinse temperatures	Check for proper water supply.	Make sure hot and cold inlet hoses are not reversed.
		Both hoses must be attached to both washer and faucet, and have both hot and cold water flowing to inlet valve.
		Check that inlet valve screens are not clogged.
	Remove any kinks in hoses.	
Energy-saving controlled wash temperatures.	Energy Star® qualified washers use cooler wash and rinse water temperatures than traditional top-load washers. This includes cooler hot and warm washes.	
Load not rinsed	Check for proper water supply.	Make sure hot and cold inlet hoses are not reversed.
		Both hoses must be attached and have water flowing to the inlet valve.
		Both hot and cold water faucets must be on.
		Inlet valve screens on washer maybe clogged.
		Remove any kinks in the inlet hose.
	Not using HE detergent or using too much HE detergent.	The suds from regular detergent can cause the washer to operate incorrectly.
		Use only HE detergent. Be sure to measure correctly.
		Always measure detergent and follow detergent directions based on load size and soil level.
	Washer may be tightly packed.	The washer is less efficient at rinsing when load is tightly packed.
Load garments in loose heaps evenly around the washplate. Do not load garments directly over the center of the washplate.		
Use cycle designed for the fabrics being washed.		
Add only 1 or 2 additional garments after washer has started.		
Fabric softener option not selected.	When using fabric softener, be sure the Fabric Softener option is selected.	
Sand, pet hair, lint, etc. on load after washing	Heavy sand, pet hair, lint, and detergent or bleach residues may require additional rinsing.	Add an Extra Rinse to the selected cycle.
Load is tangling	Washer not loaded as recommended.	Load garments in loose heaps evenly around the washplate. Do not load garments directly over the center of the washplate.
		Reduce tangling by mixing types of load items. Use the recommended cycle for the type of garments being washed.

# TROUBLESHOOTING

First try the solutions suggested here or visit our website at [www.whirlpool.com/help](http://www.whirlpool.com/help) for assistance and to possibly avoid a service call.

If you experience	Possible Causes	Solution
<b>Washer not performing as expected (cont.)</b>		
Load is tangling (cont.)	Wash action and/or spin speed too fast for load.	Select a cycle with a slower wash action and slower spin speed. Note that items will be wetter than when using a higher speed spin.
Not cleaning or removing stains	Wash load not completely covered in water.	Washer senses load size and adds correct amount of water. This is normal and necessary for clothes to move.
	Added more water to washer.	Do not add more water to washer. Adding water lifts the garments off the washplate, resulting in less effective cleaning.
	Washer not loaded as recommended.	Load garments in loose heaps evenly around the washplate. Do not load garments directly over the center of the washplate.
		Add only 1 or 2 additional garments after washer has started.
	Not using HE detergent or using too much HE detergent.	The suds from regular detergent can prevent washer from operating correctly.
		Use only HE detergent. Be sure to measure correctly.
		Always measure detergent and follow detergent directions based on load size and soil level.
	Not using correct cycle for fabric type.	Use a higher soil level cycle option and warmer wash temperature to improve cleaning.
		If using Quick Wash cycle (on some models), wash only a few items.
		Use Whites and Heavy Duty cycle for tough cleaning.
See the "Cycle Guide" to match your load with the best cycle.		
Not using dispensers.	Use dispensers to avoid chlorine bleach and fabric softener staining.	
	Load dispensers before starting a cycle.	
	Avoid overfilling.	
Not washing like colors together.	Do not add products directly onto load.	
	Wash like colors together and remove promptly after the cycle is complete to avoid dye transfer.	
Odors	Monthly maintenance not done as recommended.	Run the Clean Washer with AFFRESH™ cycle after every 30 washes. See "Cleaning Your Washer" in "Washer Maintenance".
		Unload washer as soon as cycle is complete.
	Not using HE detergent or using too much HE detergent.	Use only HE detergent. Be sure to measure correctly.
		Always follow the detergent directions.
Fabric Damage	Sharp items were in pockets during wash cycle.	Empty pockets, zip zippers, and snap or hook fasteners before washing to avoid snags and tears.
	Strings and straps could have tangled.	Tie all strings and straps before starting wash load.
	Items may have been damaged before washing.	Mend rips and broken threads in seams before washing.
	Fabric damage can occur if the washer is tightly packed.	Load garments in loose heaps evenly around the washplate. Do not load garments directly over the center of the washplate.
		Load items should move freely during wash to avoid damage,
		Use cycle designed for the fabrics being washed.
	Garment care instructions may not have been followed.	Add only 1 or 2 additional garments after washer has started.
	Always read and follow garment manufacturer's care label instructions. See the "Cycle Guide" to match your load with the best cycle.	

# TROUBLESHOOTING

First try the solutions suggested here or visit our website at [www.whirlpool.com/help](http://www.whirlpool.com/help) for assistance and to possibly avoid a service call.

If you experience	Possible Causes	Solution
<b>Washer not performing as expected (cont.)</b>		
Fabric Damage (cont.)	Liquid chlorine bleach may have been added incorrectly.	Do not pour liquid chlorine bleach directly onto load. Wipe up bleach spills.
		Undiluted bleach will damage fabrics. Do not use more than recommended by manufacturer.
		Do not place load items on top of bleach dispenser when loading and unloading washer.
Incorrect dispenser operation	Clogged dispensers or laundry products dispensing too soon.	Do not overfill dispenser. Overfilling causes immediate dispensing.
		Always select Fabric Softener option to assure proper dispensing.
		Load dispensers before starting a cycle.
		It is normal for small amounts of water to be remain in dispenser at the end of the cycle.
		Homes with low water pressure may result in residual powder in the dispenser. To avoid, select a warmer wash temperature if possible, depending on your load.
	Liquid chlorine bleach not used in dispenser.	Use only liquid chlorine bleach in the Bleach dispenser.
<b>Error Code Appears in Display</b>		
oL (overloaded) appears in display	Load too large.	If an overload is detected, the washer will drain any water and detergent in the washer. Remove several items and add HE detergent. Close lid and press START/PAUSE.
uL (unbalanced load) appears in display	Load not balanced. The washer is running a load-balance correction routine.	Allow the machine to continue. If the dial is flashing and the machine has stopped, redistribute the load, close the lid, and press START/PAUSE.
LF (too long to fill) appears in display	Washer taking too long to fill. Drain extends more than 4.5" (114 mm) into standpipe.	Check plumbing for correct drain hose installation. Use drain hose form and attach securely to drainpipe or tub. Do not tape over drain opening. See "Installation Instructions".
Ld (too long to drain water ) appears in display	Washer taking too long to drain water. Drain extends more than 4.5" (114 mm) into standpipe.	Check plumbing for correct drain hose installation. Use drain hose form and attach securely to drainpipe or tub. Do not tape over drain opening.
		Lower drain hose if the end is higher than 96" (2.4 m) above the floor. Remove any clogs from drain hose. See "Installation Instructions".
HC (Hot and Cold hoses reversed) appears in display	Hot and cold inlet hoses have been installed incorrectly.	This code will appear at the end of the wash cycle to indicate that cold water hose is connected to the hot water inlet and hot water hose is connected to the cold water inlet.
Sd (Excess suds) appears in display	Excessive suds in washer. Washer is running a suds reduction routine.	Allow the washer to continue. Use only HE detergent. Always measure detergent, and base detergent quantity on load size. Follow detergent manufacturer's instructions. If the dial is flashing, reselect your desired cycle using a cold wash temperature, and press START/PAUSE. Do not add detergent.
dL (Lid cannot lock) appears in display	An item in the load may be keeping the lid from locking.	Check for items directly under the lid.
lid (Lid opened) appears in display	Washer lid left open.	Close the lid to clear the display. If the lid is left open for more than 10 minutes, the cycle will reset and water in the washer will drain.
dU (Lid cannot unlock) appears in display	Objects on washer lid prevent it from unlocking.	Remove objects, such as a basket of laundry, from the top of the washer.
F## code (F-type error code) appears in display	System error code.	Press START/PAUSE once to clear the code. Then press START/PAUSE again to restart washer. If code appears again, call for service.

---

# WHIRLPOOL CORPORATION LAUNDRY WARRANTY

---

## LIMITED WARRANTY

For one year from the date of purchase, when this major appliance is operated and maintained according to instructions attached to or furnished with the product, Whirlpool Corporation or Whirlpool Canada LP (hereafter "Whirlpool") will pay for Factory Specified Parts and repair labor to correct defects in materials or workmanship that existed when this major appliance was purchased. Service must be provided by a Whirlpool designated service company. YOUR SOLE AND EXCLUSIVE REMEDY UNDER THIS LIMITED WARRANTY SHALL BE PRODUCT REPAIR AS PROVIDED HEREIN. This limited warranty is valid only in the United States or Canada and applies only when the major appliance is used in the country in which it was purchased. Proof of original purchase date is required to obtain service under this limited warranty.

---

## ITEMS EXCLUDED FROM WARRANTY

**This limited warranty does not cover:**

1. Replacement parts or repair labor if this major appliance is used for other than normal, single-family household use or when it is used in a manner that is inconsistent to published user or operator instructions and/or installation instructions.
  2. Service calls to correct the installation of your major appliance, to instruct you on how to use your major appliance, to replace or repair house fuses, or to correct house wiring or plumbing.
  3. Service calls to repair or replace appliance light bulbs, air filters or water filters. Consumable parts are excluded from warranty coverage.
  4. Damage resulting from accident, alteration, misuse, abuse, fire, flood, acts of God, improper installation, installation not in accordance with electrical or plumbing codes, or use of products not approved by Whirlpool.
  5. Cosmetic damage, including scratches, dents, chips or other damage to the finish of your major appliance, unless such damage results from defects in materials or workmanship and is reported to Whirlpool within 30 days from the date of purchase.
  6. Pick up and delivery. This major appliance is intended to be repaired in your home.
  7. Repairs to parts or systems resulting from unauthorized modifications made to the appliance.
  8. Expenses for travel and transportation for product service if your major appliance is located in a remote area where service by an authorized Whirlpool servicer is not available.
  9. The removal and reinstallation of your major appliance if it is installed in an inaccessible location or is not installed in accordance with Whirlpool's published installation instructions.
  10. Replacement parts or repair labor on major appliances with original model/serial numbers that have been removed, altered, or cannot be easily determined.
- 

## DISCLAIMER OF IMPLIED WARRANTIES

IMPLIED WARRANTIES, INCLUDING ANY IMPLIED WARRANTY OF MERCHANTABILITY OR IMPLIED WARRANTY OF FITNESS FOR A PARTICULAR PURPOSE, ARE LIMITED TO ONE YEAR OR THE SHORTEST PERIOD ALLOWED BY LAW. Some states and provinces do not allow limitations on the duration of implied warranties of merchantability or fitness, so this limitation may not apply to you. This warranty gives you specific legal rights, and you also may have other rights that vary from state to state or province to province.

---

## LIMITATION OF REMEDIES; EXCLUSION OF INCIDENTAL AND CONSEQUENTIAL DAMAGES

YOUR SOLE AND EXCLUSIVE REMEDY UNDER THIS LIMITED WARRANTY SHALL BE PRODUCT REPAIR AS PROVIDED HEREIN. WHIRLPOOL SHALL NOT BE LIABLE FOR INCIDENTAL OR CONSEQUENTIAL DAMAGES. Some states and provinces do not allow the exclusion or limitation of incidental or consequential damages, so these limitations and exclusions may not apply to you. This warranty gives you specific legal rights, and you also may have other rights that vary from state to state or province to province.

---

If outside the 50 United States and Canada, contact your authorized Whirlpool dealer to determine if another warranty applies.

If you think you need repair service, first see the "Troubleshooting" section of the Use & Care Guide. If you are unable to resolve the problem after checking "Troubleshooting," additional help can be found by checking the "Assistance or Service" section or by calling Whirlpool. In the U.S.A., call **1-800-253-1301**. In Canada, call **1-800-807-6777**. 7/08

---

**Keep this book and your sales slip together for future reference. You must provide proof of purchase or installation date for in-warranty service.**

Write down the following information about your major appliance to better help you obtain assistance or service if you ever need it. You will need to know your complete model number and serial number. You can find this information on the model and serial number label located on the product.

Dealer name \_\_\_\_\_  
Address \_\_\_\_\_  
Phone number \_\_\_\_\_  
Model number \_\_\_\_\_  
Serial number \_\_\_\_\_  
Purchase date \_\_\_\_\_

# SÉCURITÉ DE LA LAVEUSE

## Votre sécurité et celle des autres est très importante.

Nous donnons de nombreux messages de sécurité importants dans ce manuel et sur votre appareil ménager. Assurez-vous de toujours lire tous les messages de sécurité et de vous y conformer.



Voici le symbole d'alerte de sécurité.

Ce symbole d'alerte de sécurité vous signale les dangers potentiels de décès et de blessures graves à vous et à d'autres.

Tous les messages de sécurité suivront le symbole d'alerte de sécurité et le mot "DANGER" ou "AVERTISSEMENT". Ces mots signifient :

**⚠ DANGER**

**Risque possible de décès ou de blessure grave si vous ne suivez pas immédiatement les instructions.**

**⚠ AVERTISSEMENT**

**Risque possible de décès ou de blessure grave si vous ne suivez pas les instructions.**

Tous les messages de sécurité vous diront quel est le danger potentiel et vous disent comment réduire le risque de blessure et ce qui peut se produire en cas de non-respect des instructions.

## IMPORTANTES INSTRUCTIONS DE SÉCURITÉ

**AVERTISSEMENT :** Pour réduire les risques d'incendie, de choc électrique ou de blessures lors de l'utilisation de la laveuse, suivre les précautions fondamentales dont les suivantes :

- Lire toutes les instructions avant d'utiliser la laveuse.
- Ne pas laver des articles qui ont été nettoyés ou lavés avec de l'essence ou imbibés d'essence, solvants de nettoyage à sec, ou autres substances inflammables ou explosives; ces substances peuvent émettre des vapeurs susceptibles de s'enflammer ou d'exploser.
- Ne pas ajouter d'essence, solvant de nettoyage à sec ou autre produit inflammable ou explosif dans l'eau de lavage. Ces substances peuvent émettre des vapeurs susceptibles de s'enflammer ou d'exploser.
- Dans certaines conditions, de l'hydrogène gazeux peut se former dans un circuit d'eau chaude qui n'a pas été utilisé pendant 2 semaines ou plus. LE GAZ HYDROGÈNE EST EXPLOSIBLE. Si le circuit d'eau chaude n'a pas été utilisé pendant une telle période, avant d'utiliser la laveuse, ouvrir tous les robinets d'eau chaude et laisser l'eau s'écouler pendant plusieurs minutes par chaque robinet. Ceci permettra l'évacuation de l'hydrogène gazeux accumulé. Comme ce gaz est inflammable, ne pas fumer ou utiliser une flamme nue au cours de cette période.
- Ne pas laisser des enfants jouer sur ou à l'intérieur de la laveuse. Bien surveiller les enfants lorsque la laveuse est utilisée à proximité d'enfants.
- Avant de mettre la laveuse au rebut ou hors de service, enlever la porte ou le couvercle.
- Ne pas tenter d'atteindre un article à l'intérieur de la cuve de la laveuse lorsque le tambour, la cuve ou l'agitateur est en mouvement.
- Ne pas installer ou remiser cette laveuse à un endroit où elle serait exposée aux intempéries.
- Ne pas modifier les organes de commande.
- Ne pas réparer ou remplacer un composant quelconque de la laveuse, ni entreprendre une opération de service, si ce n'est spécifiquement recommandé dans ce manuel ou dans un manuel d'instructions de réparations destiné à l'utilisateur; il est alors essentiel que la personne concernée comprenne ces instructions et soit compétente pour les exécuter.
- Pour les instructions de liaison à la terre, voir "Spécifications électriques" dans les instructions d'installation.

## CONSERVEZ CES INSTRUCTIONS

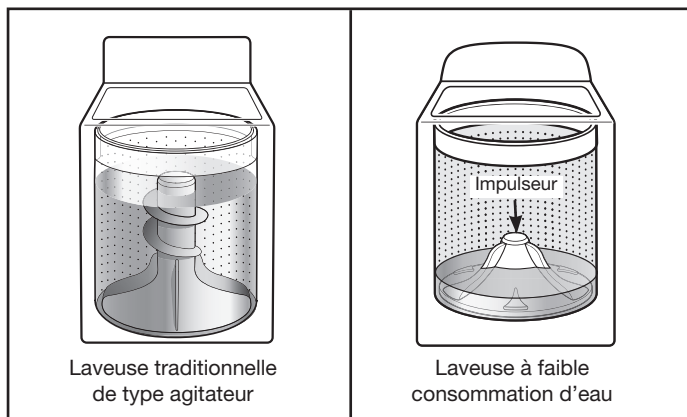
Avertissements de la proposition 65 de l'État de Californie :

**AVERTISSEMENT :** Ce produit contient au moins un produit chimique connu par l'État de Californie pour être à l'origine de cancers.

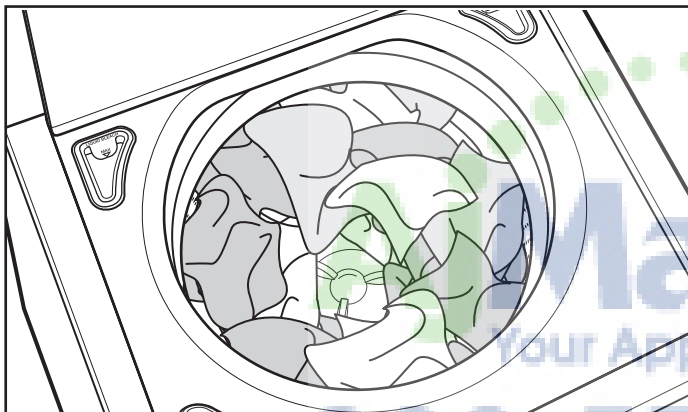
**AVERTISSEMENT :** Ce produit contient au moins un produit chimique connu par l'État de Californie pour être à l'origine de malformations et autres déficiences de naissance.

# QUOI DE NEUF SOUS LE COUVERCLE?

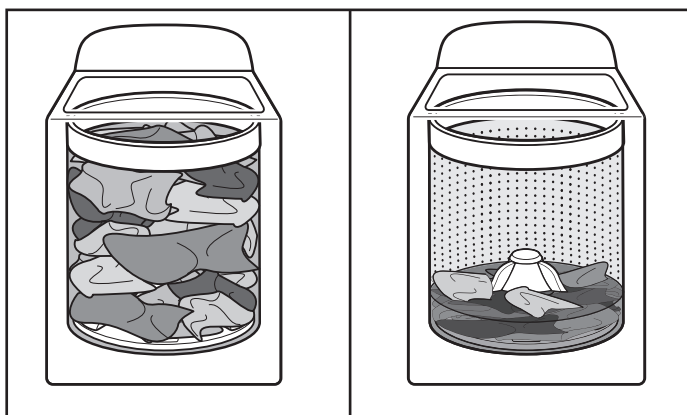
## Laver avec moins d'eau



La nouveauté la plus remarquable de cette nouvelle laveuse est son système de lavage à faible consommation d'eau avec plateau de lavage. La laveuse ajuste automatiquement le niveau d'eau en fonction de la taille de la charge - nul besoin de sélecteur de niveau d'eau.



Charger les vêtements sans les tasser et de façon uniforme le long du plateau de lavage. Ne pas placer les vêtements directement au centre du plateau de lavage – celui-ci doit être visible.



À mesure que la laveuse imbibe et déplace la charge, les vêtements se tassent dans le panier. Ceci est normal et ne signifie pas que l'on doit rajouter des vêtements.

**IMPORTANT :** Le panier de la laveuse ne sera pas rempli d'eau, comme avec votre précédente laveuse de type agitateur. Il est normal qu'une partie de la charge dépasse du niveau d'eau.

## Détection automatique de taille de charge

Une fois que l'on démarre le programme, le couvercle se verrouille et la laveuse entame un processus de détection pour déterminer le niveau d'eau approprié à la charge.

Vous entendrez le moteur faire tourner le panier par de brefs mouvements d'impulsion pour bien imbiber la charge. Cette méthode de lavage avec faible consommation d'eau utilise moins d'eau et d'énergie qu'une laveuse traditionnelle de type agitateur.

## Choix du détergent approprié

Utiliser uniquement des détergents Haute efficacité. L'emballage portera la mention "HE" ou "High Efficiency" (haute efficacité). Un lavage avec faible consommation d'eau produit un excès de mousse avec un détergent non HE ordinaire. Il est probable que l'utilisation d'un détergent ordinaire prolongera la durée des programmes et réduira la performance de rinçage. Ceci peut aussi entraîner des défaillances des composants et une moisissure perceptible. Les détergents HE sont conçus pour produire la quantité de mousse adéquate pour le meilleur rendement. Suivre les recommandations du fabricant pour déterminer la quantité de détergent à utiliser.



Utiliser uniquement un détergent Haute efficacité (HE).

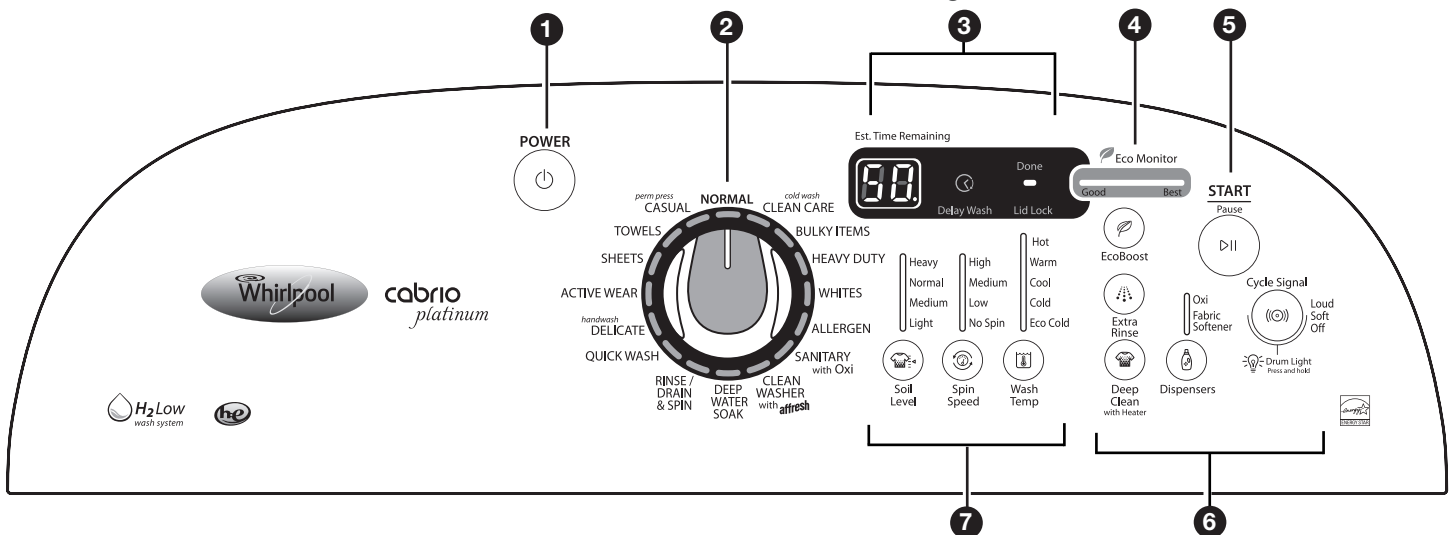
## Nettoyage concentré

Le système de lavage à faible consommation d'eau signifie un lavage concentré. Plutôt que de diluer du détergent comme dans une laveuse de type agitateur, cette laveuse libère le détergent directement sur les endroits souillés.

## Sons normaux prévisibles

Au cours des différents stades du programme de lavage, vous entendrez peut-être des bruits que votre laveuse précédente ne produisait pas. Par exemple, vous entendrez peut-être un cliquetis au début du programme lorsque le système de verrouillage du couvercle effectue un test automatique. On entendra différents bourdonnements et bruits de frottements rythmiques à mesure que l'impulseur déplace la charge. Parfois, il est possible que la laveuse soit complètement silencieuse, lorsqu'elle détermine le niveau d'eau adéquat ou qu'elle laisse tremper les vêtements.

# TABLEAU DE COMMANDE ET CARACTÉRISTIQUES



Certains programmes et caractéristiques ne sont pas disponibles sur certains modèles.

## 1 POWER BUTTON (Bouton de mise sous tension)

Appuyer sur ce bouton pour METTRE EN MARCHÉ la laveuse. Si l'on appuie une fois sur ce bouton alors que la laveuse fonctionne, le programme en cours est annulé; si l'on appuie deux fois dessus, la laveuse S'ÉTEINT.

## 2 WASH CYCLE KNOB (Bouton de programme de lavage)

Tourner le bouton de programme de lavage pour sélectionner un programme correspondant à la charge de linge. Voir "Guide de programmes" pour des descriptions de programmes détaillées.

## 3 TIME/STATUS DISPLAY (Affichage de durée/statut)

L'affichage de durée résiduelle estimée indique le temps nécessaire à l'achèvement du programme. Des facteurs tels que la taille de la charge et la pression de l'eau peuvent affecter la durée affichée. La laveuse peut également ajuster la durée du programme en cas de surcharge, de charge déséquilibrée ou de production excessive de mousse.

Si vous avez défini un départ différé du cycle, l'estimée Affichage de durée restant indique le temps de retard réglé.

Une fois le programme terminé, le témoin lumineux DONE (TERMINÉ) s'allume jusqu'à ce que l'on ouvre le couvercle.

Ce témoin lumineux indique que le couvercle est verrouillé et ne peut être ouvert. Si l'on doit ouvrir le couvercle, appuyer sur START/PAUSE (MISE EN MARCHÉ/PAUSE). Le couvercle se déverrouille une fois que le mouvement de la laveuse a cessé. Ceci peut prendre plusieurs minutes si la laveuse essorait la charge à grande vitesse. Appuyer sur START/PAUSE (MISE EN MARCHÉ/PAUSE) pour redémarrer le programme.

## 4 ECO MONITOR (Éco-Moniteur)

La laveuse est spécialement conçue pour économiser de l'eau et de l'énergie. Chaque programme, ainsi que toute option sélectionnée, entraînera une consommation d'énergie et d'eau différente. Pour utiliser l'éco-moniteur, choisir le programme correspondant le mieux à la charge à laver puis ajuster les options de température et de vitesse d'essorage pour améliorer la consommation énergétique de chaque programme.

## 5 START/PAUSE BUTTON (Bouton de mise en marche/pause)

Appuyer sur ce bouton pour démarrer le programme sélectionné, puis appuyer de nouveau pour suspendre un programme.

## 6 CYCLE OPTIONS (Options des programmes)

On peut aussi ajouter ou supprimer des options pour chaque programme. On peut aussi ajouter ou supprimer des options pour chaque programme. Noter que certaines options ne peuvent pas être utilisées avec certains programmes, et que certaines d'entre elles sont pré-réglées pour ne fonctionner qu'avec certains programmes.

### ECOBOOST (Puissance éco)

L'option EcoBoost (Puissance éco) permet d'accroître vos économies d'énergie sur les programmes de lavage. Lorsque l'on utilise cette option, le programme de lavage utilise une eau de lavage plus froide que celle du programme sélectionné et peut augmenter la vitesse d'essorage pour accélérer le séchage.

### EXTRA RINSE (Rinçage supplémentaire)

On peut utiliser cette option pour ajouter automatiquement un second rinçage à la plupart des programmes.

### DEEP CLEAN with HEATER (Nettoyage en profondeur avec dispositif de chauffage)

Cette option fournit une action de nettoyage améliorée pour les taches tenaces. Ceci prolonge le programme. L'option Deep Clean with Heater (Nettoyage en profondeur avec dispositif de chauffage) doit uniquement être activée sur une charge sèche et doit être sélectionnée avant que la laveuse ne commence à se remplir.

### DISPENSERS (Distributeurs)

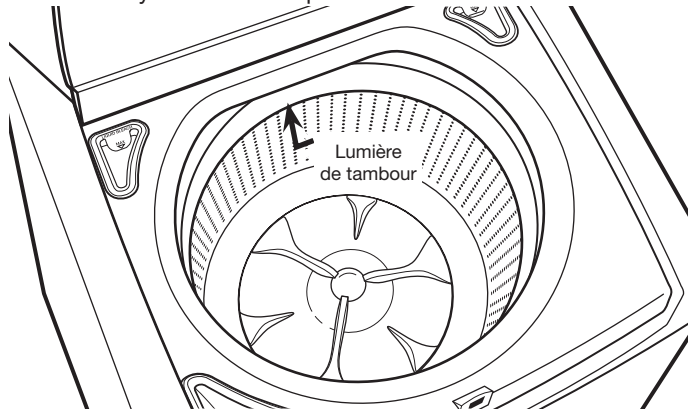
Appuyer sur ce bouton pour que le distributeur d'assouplissant pour tissu, produit de Oxi, ou tous les deux, ajoute automatiquement de l'assouplissant liquide à la charge au moment opportun.

### CYCLE SIGNAL BUTTON (Bouton de signal de programme)

Utiliser cette option pour ajuster le volume du signal qui retentit à la fin d'un programme. Un signal sonore plus fort peut être utile si l'on souhaite retirer les articles dès la fin du programme.

Appuyer et maintenir le bouton de signal de cycle pour éclairer le tambour de la laveuse, ce qui rend le chargement et le déchargement faciles. La lumière s'allume lorsque le couvercle est ouvert, et s'éteint automatiquement lorsque le couvercle est fermé ou lorsque vous appuyer et maintenir le bouton de nouveau. Si le couvercle est laissée ouverte, la lumière du tambour

s'éteint tout seul après quelques minutes. Si vous allume la lumière du tambour tandis que le couvercle est fermé, il ne sera pas automatiquement le temps. Vous devez appuyer et maintenir le bouton de signal de cycle à nouveau pour l'éteindre.



Pour la plupart des charges, utiliser le niveau de saleté pré-réglé pour le programme choisi. Pour les tissus très sales et robustes, appuyer sur Soil Level (Niveau de saleté) pour prolonger la durée de lavage si nécessaire. Pour les tissus peu sales et délicats, appuyer sur Soil Level (Niveau de saleté) pour abrégier la durée de lavage si nécessaire. Un réglage de niveau de saleté inférieur aidera à réduire l'emmêlement et le froissement.

### SPIN SPEED (Vitesse d'essorage)

Cette laveuse sélectionne automatiquement la vitesse d'essorage en fonction du programme sélectionné. Les vitesses pré-réglées peuvent être modifiées. Sur certains programmes, certaines vitesses d'essorage ne sont pas disponibles.

- Des vitesses d'essorage plus élevées signifient des durées de séchage plus courtes mais elles peuvent augmenter le froissement de la charge.
- Des vitesses d'essorage plus lentes signifient moins de froissement mais laissent la charge plus humide.

### WASH TEMP (Température de lavage)

La fonction de contrôle de température détecte et maintient une température uniforme de l'eau en réglant le débit d'arrivée d'eau chaude et d'eau froide.

Sélectionner une température de lavage en fonction du type de tissu et de saleté à laver. Pour des résultats optimaux, suivre les instructions sur l'étiquette du vêtement et utiliser la température d'eau de lavage la plus chaude possible qui reste sans danger pour le tissu.

- Les températures de l'eau tiède et de l'eau chaude seront inférieures à celles de votre précédente laveuse.
- Même avec un réglage de lavage à l'eau froide, il est possible que de l'eau tiède soit ajoutée à la laveuse pour maintenir une température minimale. Pour l'eau froide sans l'eau tiède ajoutée, sélectionner Eco Cold (Température de l'Eco froide).

7

### CYCLE Modifiers (Réglages des programmes)

Lorsqu'on sélectionne un programme, ses réglages par défaut s'allument.

#### SOIL LEVEL (Niveau de saleté)

Le niveau de saleté (durée de lavage) est pré-réglé pour chaque programme de lavage. Lorsque l'on appuie sur la touche Soil Level, la durée du programme (en minutes) augmente ou diminue sur l'afficheur de la durée résiduelle estimée et une durée de lavage différente apparaît.

## Distributeurs

Your Appliance Authority™

### A Distributeur de détergent Haute efficacité "HE"

Verser le détergent HE liquide ou en poudre ou le produit activateur Oxi dans ce distributeur pour le programme de lavage principal.



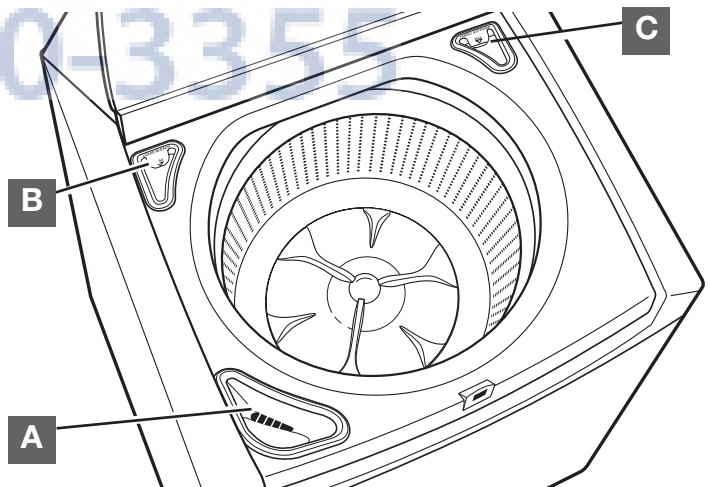
Utiliser uniquement un détergent Haute efficacité (HE).

### B Distributeur d'agent de blanchiment au chlore / Oxi minuté

**Agent de blanchiment au chlore :** Ce distributeur peut contenir jusqu'à ¾ de tasse (180 mL) d'agent de blanchiment liquide. L'agent de blanchiment sera automatiquement dilué et distribué au moment opportun au cours du programme de lavage. Ce distributeur ne peut pas diluer de l'agent de blanchiment en poudre.

**Oxi :** Ce distributeur peut contenir jusqu'à ¾ de tasse (180 mL) de produit activateur Oxi ou d'un autre produit activateur de lessive, tel que de l'agent de blanchiment sans danger pour les couleurs liquide ou en poudre. Les activateurs de lessive sont automatiquement distribués au moment adéquat lors du programme de lavage. Veiller à sélectionner Timed Oxi (Oxi minuté) parmi les options pour assurer une distribution correcte.

**REMARQUE:** Remplir le distributeur uniquement avec de l'agent de blanchiment OU Oxi. Ne pas mélanger les produits.



### C Distributeur d'assouplissant de tissu liquide

Si désiré, verser la mesure d'assouplissant pour tissu liquide dans le distributeur d'assouplissant pour tissu liquide. Celui-ci distribuera automatiquement le produit au moment opportun si l'on sélectionne l'option d'assouplissant pour tissu.

- Utiliser uniquement de l'assouplissant de tissu liquide dans ce distributeur.

# GUIDE DE PROGRAMMES

Les réglages et options indiqués en **gras** sont les réglages par défaut pour ce programme.  
 Pour un meilleur soin des tissus, choisir le programme qui convient le mieux à la charge à laver.  
 Si l'on utilise l'éco-moniteur, ajuster la température et la vitesse d'essorage dans ce programme pour améliorer la consommation d'énergie.  
 Certains programmes et options ne sont pas disponibles sur certains modèles.

Articles à laver :	Programme :	Temp de lavage* :	Vitesse d'essorage :	Niveau de saleté :	Options disponibles :	Détails du programme :
Vêtements légèrement sales	Quick Wash (Lavage rapide)	Hot <b>Warm</b> Cool Cold Eco Cold	<b>High</b> Medium Low No Spin	Heavy Normal Medium <b>Light</b>	Deep Clean Extra Rinse Fabric Softener Oxi	Utiliser ce programme pour laver des petites charges de 2-3 articles légèrement sales dont on a besoin rapidement. Ce programme combine un culbutage à vitesse rapide, une durée de lavage réduite et un essorage à vitesse élevée pour réduire la durée de séchage.
Articles en soie lavables en machine, tissus lavables à la main et laine	Handwash/ Delicate (Lavage à la main/articles délicats)	Warm Cool <b>Cold</b> Eco Cold	Medium <b>Low</b> No Spin	Heavy Normal Medium <b>Light</b>	Deep Clean Extra Rinse Fabric Softener Oxi	Utiliser ce programme pour laver les articles délicats lavables en machine. Ce programme utilise un culbutage intermittent dans de l'eau froide et un essorage à faible vitesse pour prendre soin des articles délicats lavables et éviter le rétrécissement. Placer les petits articles dans des sacs en filet avant le lavage.
Habillement sportif et à rendement élevé	Active Wear (Habillement actif)	Hot <b>Warm</b> Cool Cold Eco Cold	High <b>Medium</b> Low No Spin	Heavy Normal <b>Medium</b> Light	Deep Clean <b>Extra Rinse</b> EcoBoost Fabric Softener <b>Oxi</b>	Utiliser ce programme pour laver les articles des tissus non-repassables, par exemple les chemise du sport et autres articles de linge sportif.
Draps normalement sales	Sheets (Draps)	Hot <b>Warm</b> Cool Cold Eco Cold	High <b>Medium</b> Low No Spin	Heavy Normal <b>Medium</b> Light	Extra Rinse EcoBoost Fabric Softener Oxi	Utiliser ce programme pour laver les draps de lit. Ce programme utilise de l'eau supplémentaire et une action de lavage spéciale pour réduire l'entortillement.
Serviettes et articles en tissu éponge	Towels (Serviettes)	Hot <b>Warm</b> Cool Cold Eco Cold	High <b>Medium</b> Low No Spin	Heavy <b>Normal</b> Medium Light	Deep Clean Extra Rinse EcoBoost Fabric Softener Oxi	Ce programme utilise une température tiède de lavage et un essorage à vitesse moyenne. Des températures plus chaudes aident à éliminer les saletés et les odeurs; des vitesses d'essorage plus rapides réduisent le temps de séchage.
Tissus non repassables	Perm Press/ Casual (Pressage permanent/ tout-aller)	Hot <b>Warm</b> Cool Cold Eco Cold	High <b>Medium</b> Low No Spin	Heavy Normal <b>Medium</b> Light	Deep Clean Extra Rinse EcoBoost Fabric Softener Oxi	Utiliser ce programme pour les vêtements de travail peu sales. Ce programme utilise un lavage à l'eau tiède, une période de refroidissement et des vitesses d'essorage moyennes pour mieux lutter contre le froissement.
Charges de vêtements en coton, lin et charges mixtes	Normal	Hot <b>Warm</b> Cool Cold Eco Cold	High <b>Medium</b> No Spin	Heavy <b>Normal</b> Medium Light	Extra Rinse EcoBoost Fabric Softener Oxi	Utiliser ce programme pour nettoyer les articles en coton et les charges de tissus mixtes présentant un degré de saleté normal. Les réglages par défaut peuvent être ajustés au besoin.
Couleurs foncées, cotons, lin, casual et charges mixtes	Cold Wash/ Clean Care	<b>Cold</b> Eco Cold	<b>High</b> Medium Low No Spin	<b>Heavy</b> Normal Medium Light	Extra Rinse EcoBoost Fabric Softener Oxi	Ce programme utilise l'eau de lavage à froid et une solution de détergent concentré pour soulever doucement les taches et les soins pour les tissus. Les réglages peuvent être ajustés comme souhaité, mais il doit utiliser seulement les paramètres de l'eau froide.

\* Températures de lavage varie en fonction du réglage du cycle choisi. Tous les paramètres du cycle d'utiliser un rinçage à froid la température.

**Options de Temp. de lavage :**  
 Hot (Chaude)  
 Warm (Tiède)  
 Cool (Fraîche)  
 Cold (Froide)  
 Eco Cold (Eco froide)

**Options de Vitesse d'essorage :**  
 High (Élevée)  
 Medium (Moyenne)  
 Low (Basse)  
 No Spin (Pas d'essorage)

**Options de Niveau de saleté :**  
 Heavy (Intense)  
 Normal  
 Medium (Moyen)  
 Light (Léger)

**Options disponibles :**  
 Deep Clean with Heater (Nettoyage en profondeur avec dispositif de chauffage)  
 Extra Rinse (Rinçage supplémentaire)  
 EcoBoost (Puissance éco)  
 Fabric Softener (Assouplissant pour tissu)  
 Oxi

# GUIDE DE PROGRAMMES

Les réglages et options indiqués en **gras** sont les réglages par défaut pour ce programme.  
 Pour un meilleur soin des tissus, choisir le programme qui convient le mieux à la charge à laver.  
 Si l'on utilise l'éco-moniteur, ajuster la température et la vitesse d'essorage dans ce programme pour améliorer la consommation d'énergie.  
 Certains programmes et options ne sont pas disponibles sur certains modèles.

Articles à laver :	Programme :	Temp. de lavage* :	Vitesse d'essorage :	Niveau de saleté :	Options disponibles :	Détails du programme :
Articles de grande taille tels que les sacs de couchage, les petits duvets, les vestes	Bulky Items (Articles volumineux)	Hot <b>Warm</b> Cool Cold Eco Cold	<b>Medium</b> Low No Spin	Heavy Normal <b>Medium</b> Light	Extra Rinse EcoBoost Fabric Softener Oxi	Ce programme est conçu pour les articles surdimensionnés qui n'absorbent pas facilement l'eau, tels que les couettes, les oreillers et les vestes avec rembourrage en polyester. Ce programme utilise un trempage préliminaire pour bien imbiber l'article/ les articles.
Tissus résistants, articles grand-teint	Heavy Duty (Service intense)	Hot <b>Warm</b> Cool Cold Eco Cold	<b>High</b> Medium Low No Spin	<b>Heavy</b> Normal Medium Light	Deep Clean Extra Rinse EcoBoost Fabric Softener Oxi	Utiliser ce programme pour les articles en coton très sales ou en coton épais. Ce programme combine un lavage à vitesse rapide, une durée de lavage plus longue et un essorage à vitesse très élevée pour réduire la durée de séchage. Ajuster les réglages de température si nécessaire.
Tissus blancs sales	Whites (Blancs)	Hot Warm Cool Cold Eco Cold	High <b>Medium</b> Low No Spin	<b>Heavy</b> Normal Medium Light	Deep Clean <b>Extra Rinse</b> EcoBoost Fabric Softener Oxi	Ce programme introduit l'agent de blanchiment liquide à la charge au moment approprié pour un blanchiment amélioré des tissus blancs sales.
Tissus grand-teint très sales	Allergen† (Allergènes†)	<b>Hot</b>	<b>High</b> Medium Low No Spin	Heavy Normal Medium <b>Light</b>	Deep Clean Extra Rinse Fabric Softener <b>Oxi</b>	Ce programme utilise plus d'eau pour rincer des allergènes tels que les acariens et le dander d'animal familial des articles normalement salis. Ce programme enlève plus de 95% d'allergènes.
Tissus grand-teint très sales	Sanitary with Oxi†† (Assainissement avec Oxi††)	<b>Hot</b>	<b>High</b> Medium Low No Spin	<b>Heavy</b> Normal Medium Light	<b>Deep Clean</b> Extra Rinse Fabric Softener <b>Oxi</b>	Utiliser ce programme pour éliminer 99,9 % des bactéries lorsqu'il est utilisé en conjonction avec le option Deep Clean with Heater (Nettoyage en profondeur avec dispositif de chauffage). On doit utiliser préréglé de programme pour un assainissement correct. Veiller à ajouter un produit Oxi dans le distributeur d'eau de Javel.

\* Températures de lavage varie en fonction du réglage du cycle choisi. Tous les paramètres du cycle d'utiliser un rinçage à froid la température.

Modele: WTW8800Y\*\*



† **Allergen (Allergène)**

Le programme Allergen (Allergène) est certifié par NSF International, un organisme civil indépendant d'essais et de certification. La certification a contrôlé que ce programme réduit les allergènes testés d'au moins 95% et qu'il maintient l'eau à la température nécessaire pour la destruction des acariens. Seul le programme Allergen (Allergène) a été conçu pour répondre aux critères du Protocole NSF P351 concernant l'efficacité de la performance de réduction des allergènes.



†† **Sanitary with Oxi (Assainissement avec Oxi)**

Programme Sanitary with Oxi (Assainissement avec Oxi) certifié par NSF International, un organisme civil indépendant d'essais et de certification. La certification a vérifié que ce programme détruit 99,9% des bactéries que l'on trouve généralement sur les vêtements, articles de literie et serviettes. Il n'y a pas de transfert de bactéries entre les charges une fois le programme terminé. Seul le programme Sanitary with Oxi (Assainissement avec Oxi) a été conçu pour répondre aux exigences du Protocole NSF P12 en matière d'efficacité d'assainissement.

**Options de Temp. de lavage :**

Hot (Chaude)  
 Warm (Tiède)  
 Cool (Fraîche)  
 Cold (Froide)  
 Eco Cold (Eco froide)

**Options de Vitesse d'essorage :**

High (Élevée)  
 Medium (Moyenne)  
 Low (Basse)  
 No Spin (Pas d'essorage)

**Options de Niveau de saleté :**

Heavy (Intense)  
 Normal  
 Medium (Moyen)  
 Light (Léger)

**Options disponibles :**

Deep Clean with Heater (Nettoyage en profondeur avec dispositif de chauffage)  
 Extra Rinse (Rinçage supplémentaire)  
 EcoBoost (Puissance éco)  
 Fabric Softener (Assouplissant pour tissu)  
 Oxi

## GUIDE DE PROGRAMMES

Les réglages et options indiqués en **gras** sont les réglages par défaut pour ce programme.

Pour un meilleur soin des tissus, choisir le programme qui convient le mieux à la charge à laver.

Si l'on utilise l'éco-moniteur, ajuster la température et la vitesse d'essorage dans ce programme pour améliorer la consommation d'énergie.

Certains programmes et options ne sont pas disponibles sur certains modèles.

Articles à laver :	Programme :	Temp de lavage* :	Vitesse d'essorage :	Niveau de saleté :	Options disponibles :	Détails du programme :
Pas de vêtements dans la laveuse	Clean Washer with Affresh® (Nettoyage de la laveuse avec Affresh®)				EcoBoost	Utiliser ce programme à l'issue de chaque série de 30 lavages pour que l'intérieur de la laveuse reste frais et propre. Ce programme utilise un niveau d'eau plus élevé. Avec ce programme, utiliser une tablette de nettoyant pour laveuse AFFRESH® ou de l'eau de Javel pour nettoyer soigneusement l'intérieur de votre laveuse. Ce programme ne doit pas être interrompu. Voir "Nettoyage de la laveuse".  <b>IMPORTANT :</b> Ne pas placer de vêtements ou autres articles dans la laveuse pendant le programme Clean Washer with AFFRESH®. Utiliser ce programme avec une cuve de lavage vide.
Tissus très sales	Deep Water Soak (Trempage)	Warm <b>Cool</b> Cold Eco Cold	<b>No Spin</b>	Heavy Normal Medium <b>Light</b>	EcoBoost	La durée de trempage réglable permet de décoller les saletés tenaces. À la fin du programme, la laveuse effectue une vidange - mais pas d'essorage - et un signal sonore retentit. Pour régler un programme à la suite d'un autre, , ajouter du détergent et sélectionner un programme en fonction du type de tissu.
Maillots de bain et articles nécessitant uniquement un rinçage	Rinse/Drain & Spin (Rinçage/ Vidange et essorage)		<b>High</b> Medium Low No Spin		EcoBoost Fabric Softener	Ce programme utilise une vitesse d'essorage élevée. Pour certains tissus, il peut être judicieux de régler la vitesse d'essorage à un réglage faible.
Charge de vêtements mouillée	Rinse/Drain & Spin (Rinçage/ Vidange et essorage)		<b>High</b> Medium Low			Pour sélectionner, choisir Rinse/ Drain & Spin (Rinçage/Vidange et essorage) et désactiver Extra Rinse (Rinçage supplémentaire). Utiliser ce programme pour extraire par essorage l'excédent d'eau présent dans une charge. Ce programme évacue l'eau et effectue un essorage à haute vitesse. La vitesse d'essorage est réglable.

\* Températures de lavage varie en fonction du réglage du cycle choisi. Tous les paramètres du cycle d'utiliser un rinçage à froid la température.

### Options de Temp. de lavage :

Hot (Chaude)  
Warm (Tiède)  
Cool (Fraîche)  
Cold (Froide)  
Eco Cold (Eco froide)

### Options de Vitesse d'essorage :

High (Élevée)  
Medium (Moyenne)  
Low (Basse)  
No Spin (Pas d'essorage)

### Options de Niveau de saleté :

Heavy (Intense)  
Normal  
Medium (Moyen)  
Light (Léger)

### Options disponibles :

Deep Clean with Heater (Nettoyage en profondeur avec dispositif de chauffage)  
Extra Rinse (Rinçage supplémentaire)  
EcoBoost (Puissance éco)  
Fabric Softener (Assouplissant pour tissu)  
Oxi

# UTILISATION DE LA LAVEUSE

## ⚠ AVERTISSEMENT



### Risque d'incendie

Ne jamais mettre des articles humectés d'essence ou d'autres fluides inflammables dans la laveuse.

Aucune laveuse ne peut complètement enlever l'huile.

Ne pas faire sécher des articles qui ont été salis par tout genre d'huile (y compris les huiles de cuisson).

Le non-respect de ces instructions peut causer un décès, une explosion ou un incendie.

## ⚠ AVERTISSEMENT



### Risque de choc électrique

Brancher sur une prise à 3 alvéoles reliée à la terre.

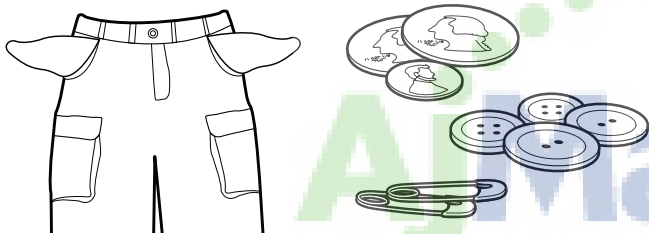
Ne pas enlever la broche de liaison à la terre.

Ne pas utiliser un adaptateur.

Ne pas utiliser un câble de rallonge.

Le non-respect de ces instructions peut causer un décès, un incendie ou un choc électrique.

## 1. Trier et préparer le linge



- Vider les poches. Des pièces de monnaie, des boutons ou objets de petite taille sont susceptibles de glisser sous la plateau de lavage et de s'y coincer, ce qui peut entraîner des bruits inattendus.
- Trier les articles en fonction du programme et de la température d'eau recommandés, ainsi que de la solidité des teintures.
- Séparer les articles très sales des articles peu sales.
- Séparer les articles délicats des tissus résistants.
- Ne pas sécher les vêtements si les taches sont toujours présentes après le lavage car la chaleur pourrait fixer les taches sur le tissu.
- Traiter les taches sans délai.
- Fermer les fermetures à glissière, attacher les crochets, cordons et ceintures en tissu. Ôter les garnitures et les ornements non lavables
- Réparer les déchirures pour éviter que les articles ne s'endommagent encore davantage lors du lavage.

### Conseils utiles :

- Lors du lavage d'articles imperméables ou résistants à l'eau, charger la machine de façon uniforme. Voir "Guide de programmes" pour des conseils et pour plus d'informations sur l'utilisation du programme Bulky Items (articles volumineux).

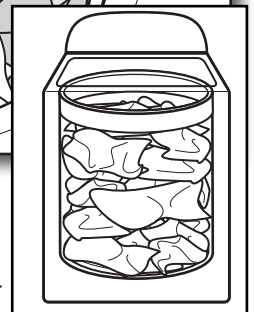
- Utiliser des sacs en filet pour aider à empêcher l'emmêlement lors du lavage d'articles délicats ou de petits articles.
- Retourner les tricotés pour éviter le boulochage. Séparer les articles qui forment la charpie de ceux qui la retiennent. Les articles synthétiques, tricotés et articles en velours retiennent la charpie provenant des serviettes, des tapis et des tissus chenille.

**REMARQUE :** Toujours lire et suivre les instructions des étiquettes de soin des tissus pour éviter d'endommager les vêtements.

## 2. Charger les vêtements dans la laveuse



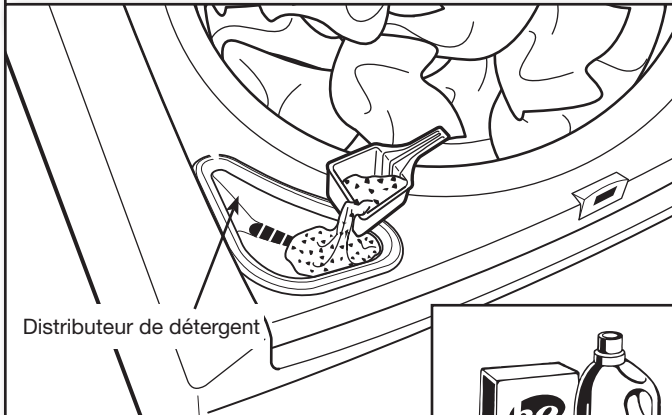
Charger les vêtements sans les tasser et de façon uniforme le long du plateau de lavage. Ne pas placer les vêtements directement au centre du plateau de lavage – celui-ci doit être visible. Essayer de mélanger différents types d'articles pour réduire l'emmêlement.



**IMPORTANT :** Les articles doivent pouvoir se déplacer librement pour un nettoyage optimal et pour réduire le froissement et l'emmêlement.

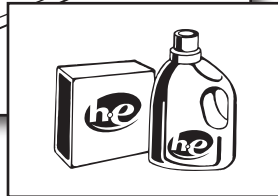
## Utilisation des distributeurs de produits de lessive

### 3. Verser le détergent HE dans le distributeur



Distributeur de détergent

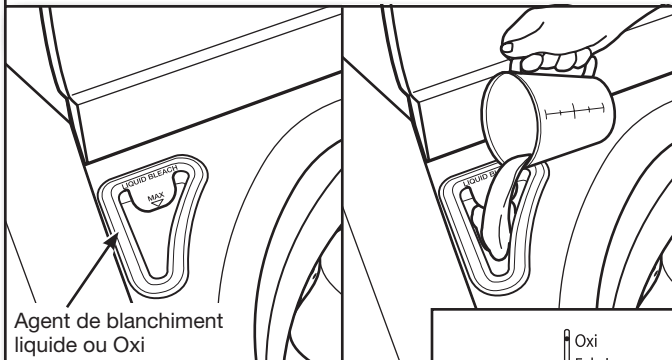
Ajouter une mesure de détergent HE dans le distributeur de détergent.



**IMPORTANT :** Utiliser uniquement des détergents Haute efficacité. L'emballage portera la mention "HE" ou "High Efficiency" (haute efficacité). Un lavage avec faible consommation d'eau produit un excès de mousse avec un détergent non HE ordinaire. Il est probable que l'utilisation d'un détergent ordinaire prolongera la durée des programmes et réduira la performance de rinçage. Ceci peut aussi entraîner des défaillances des composants et une moisissure perceptible. Les détergents HE sont conçus pour produire la quantité de mousse adéquate pour le meilleur rendement. Suivre les recommandations du fabricant pour déterminer la quantité de détergent à utiliser.

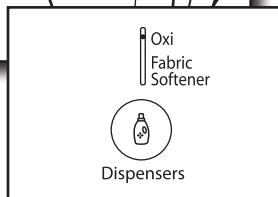
**CONSEIL UTILE :** Voir "Entretien de la laveuse" pour plus d'information sur la méthode recommandée pour le nettoyage des distributeurs de la laveuse.

### 4. Ajouter l'agent de blanchiment liquide ou produit de Oxi dans le distributeur



Agent de blanchiment liquide ou Oxi

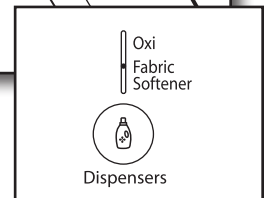
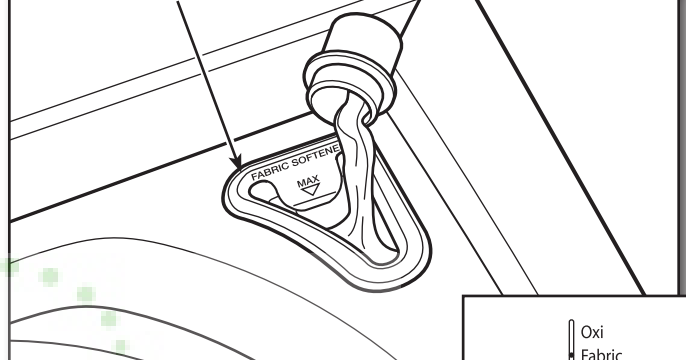
Ajouter de l'agent de blanchiment au chlore ou un activateur de linge Oxi au distributeur. Si l'on utilise des produits Oxi ou d'autres activateurs de lessive (agent de blanchiment sans danger pour les couleurs) liquides ou en poudre, sélectionner l'option Oxi, appuyer sur le bouton des distributeurs jusqu'à ce qu'Oxi soit sélectionné. Il n'est pas nécessaire de sélectionner l'option Oxi lorsqu'on utilise de l'agent de blanchiment liquide au chlore.



- Ne pas remplir excessivement le distributeur ni utiliser plus de 3/4 de tasse (180 mL) d'agent de blanchiment liquide au chlore. Un remplissage excessif entraînera la distribution immédiate de l'agent de blanchiment ou du produit Oxi dans la laveuse.
- Ne pas utiliser d'agent de blanchiment sans danger pour les couleurs ni de produit Oxi avec un programme utilisant de l'agent de blanchiment au chlore liquide.

### 5. Verser de l'assouplissant pour tissu dans le distributeur

Verser de l'assouplissant pour tissu dans le distributeur



Verser une mesure d'assouplissant pour tissu liquide dans le distributeur – toujours suivre les instructions du fabricant concernant la dose d'assouplissant pour tissu à utiliser en fonction de la taille de la charge. Sélectionner ensuite l'option Fabric Softener (Assouplissant pour tissu).

**IMPORTANT :** L'option Fabric Softener (Assouplissant pour tissu) doit être sélectionnée pour que le produit soit distribué correctement et au moment adéquat du programme. Ne pas remplir le distributeur excessivement ni diluer le produit.

Si l'on sélectionne l'option Extra Rinse (Rinçage supplémentaire), l'assouplissant pour tissu sera distribué au cours du dernier rinçage.

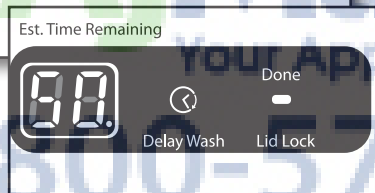
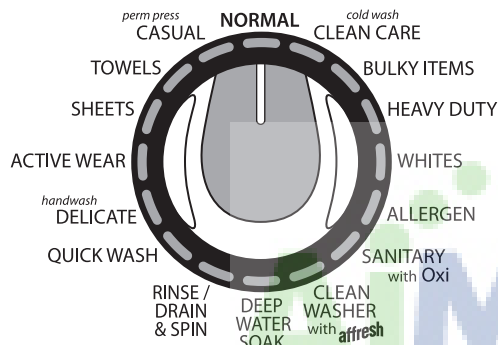
**REMARQUE :** Ne pas utiliser de boules distributrices d'assouplissant pour tissu dans cette laveuse. Elles ne distribueront pas leur contenu correctement.

## Mise en marche de la laveuse

### 6. Appuyer sur POWER pour mettre la laveuse en marche



### 7. Sélectionner le programme



Tourner le bouton de programme pour choisir un programme de lavage. Le témoin Estimated Time Remaining (Durée résiduelle estimée) s'allume, et la durée du programme s'affiche. On peut remarquer un ajustement de la durée durant le programme. Ceci est normal.

Si l'on ne souhaite pas démarrer un programme immédiatement, on peut choisir l'option DELAY WASH (LAVAGE DIFFÉRÉ).

#### Pour choisir une heure de lavage différé :

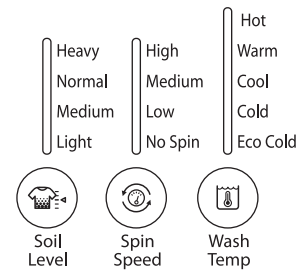
1. Appuyer sur le bouton DELAY WASH (LAVAGE DIFFÉRÉ) pour sélectionner le délai souhaité.
2. Appuyer sur START/PAUSE (MISE EN MARCHE/PAUSE).

#### Pour annuler un programme différé :

1. Appuyer de nouveau sur START/PAUSE (MISE EN MARCHE/PAUSE) pour démarrer un programme de lavage immédiatement.

**IMPORTANT :** Lorsque l'on utilise un programme différé, utiliser uniquement du détergent HE liquide dans le distributeur. Les détergents en poudre peuvent absorber l'humidité d'un programme précédent et former des grumeaux avant que le programme de lavage ne commence.

### 8. Sélectionner les réglages de programme

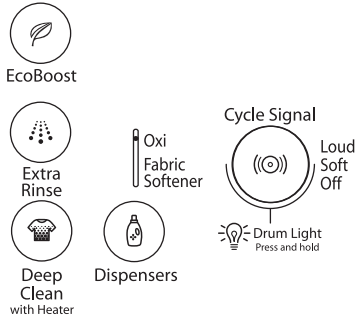


Après avoir sélectionné un programme, les réglages par défaut correspondant à ce programme s'allument. Appuyer sur les boutons de réglage du programme pour modifier le niveau de saleté, la vitesse d'essorage et la température de lavage si désiré. Tous les réglages ne sont pas disponibles avec tous les programmes.

**REMARQUE :** Toujours lire et suivre les instructions des étiquettes de soin des tissus pour éviter d'endommager les vêtements.

Wash Temp (Température de lavage)	Tissus suggérés
<b>Hot (Chaude)</b> De l'eau froide est ajoutée pour économiser de l'énergie. Ceci sera plus froid que le réglage du chauffe-eau pour l'eau chaude de votre domicile.	Blancs et couleurs claires Vêtements robustes Saleté intense
<b>Warm (Tiède)</b> De l'eau froide sera ajoutée; il est donc possible que l'eau soit plus froide que celle que fournissait votre laveuse précédente.	Couleurs vives Saleté modérée à légère
<b>Cool (Fraîche)</b> De l'eau chaude est ajoutée pour favoriser l'élimination de la saleté et pour aider à dissoudre les détergents.	Couleurs qui déteignent ou s'atténuent Saleté légère
<b>Cold (Froide)</b> De l'eau tiède est ajoutée pour favoriser l'élimination de la saleté et aider à dissoudre les détergents.	Couleurs foncées qui déteignent ou s'atténuent Saleté légère
<b>Eco Cold (Éco froide)</b> Ceci correspond à la température à votre robinet.	Couleurs foncées qui déteignent ou s'atténuent Saleté légère

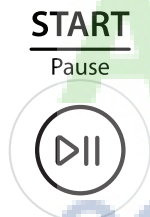
## 9. Sélectionner les options de programme



Sélectionner les autres options de programme que l'on souhaite ajouter, si ce n'est pas déjà fait. Certains programmes ajoutent automatiquement certaines options telles que Deep Clean with Heater (Nettoyage en profondeur avec dispositif de chauffage) ou Extra Rinse. Elles peuvent être désactivées si désiré.

**REMARQUE :** Toutes les options ne sont pas disponibles avec tous les programmes.

## 10. Appuyer sur START/PAUSE (MISE EN MARCHÉ/PAUSE) pour démarrer le programme de lavage



Appuyer sur le bouton START/PAUSE (MISE EN MARCHÉ/PAUSE) pour démarrer le programme de lavage. Lorsque le programme est terminé, le témoin lumineux DONE (TERMINÉ) s'allume et le signal de fin de programme retentit (si activé). Retirer rapidement les vêtements une fois le programme terminé pour empêcher la formation d'odeurs, réduire le froissement et empêcher les crochets métalliques, fermetures à glissière et boutons-pression de rouiller.

### Déverrouiller le couvercle pour ajouter les vêtements

Si l'on doit ouvrir le couvercle pour ajouter 1 ou 2 vêtements :

Appuyer sur START/PAUSE (MISE EN MARCHÉ/PAUSE); le couvercle se déverrouille une fois que le mouvement de la laveuse a cessé. Ceci peut prendre plusieurs minutes si la laveuse essorait la charge à grande vitesse. Fermer ensuite le couvercle et appuyer de nouveau sur START/PAUSE (MISE EN MARCHÉ/PAUSE) pour redémarrer le programme.

Si on laisse le couvercle ouvert pendant plus de 10 minutes, l'eau est vidangée.

## ENTRETIEN DE LA LAVEUSE

### TUYAUX D'ARRIVÉE D'EAU

Remplacer les tuyaux d'arrivée d'eau après 5 ans d'utilisation pour réduire le risque de défaillance intempestive. Inspecter périodiquement les tuyaux; les remplacer en cas de renflement, de déformation, de coupure et d'usure ou de fuite.

Lorsque vous remplacez les tuyaux d'arrivée d'eau, noter la date de remplacement au marqueur indélébile sur l'étiquette.

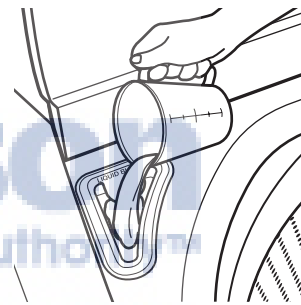
**REMARQUE :** Cette laveuse ne comprend pas de tuyaux d'arrivée d'eau. Voir "Instructions d'installation" pour plus de renseignements.

### NETTOYAGE DE LA LAVEUSE

Votre laveuse doit rester aussi propre et fraîche que vos vêtements. Pour que l'intérieur de la laveuse reste libre de toute odeur, suivre la procédure mensuelle de nettoyage recommandée suivante :

1. S'assurer que la laveuse est vide.
2. Ajouter une pastille de nettoyant pour laveuse recommandé AFFRESH® dans le tambour de la laveuse. OU

Si l'on utilise un agent de blanchiment liquide, ajouter 1 tasse (250 mL) dans le distributeur d'agent de blanchiment liquide.



**IMPORTANT :** Ne pas verser de détergent dans le programme CLEAN WASHER with AFFRESH® (NETTOYAGE DE LA LAVEUSE avec AFFRESH®). Pour éviter tout dommage à long terme, ne pas utiliser plus que la quantité d'agent de blanchiment recommandée.

3. Rabattre le couvercle de la laveuse.
4. Appuyer sur POWER (MISE SOUS TENSION).
5. Sélectionner le programme CLEAN WASHER with AFFRESH® (NETTOYAGE DE LA LAVEUSE avec AFFRESH®).
6. Appuyer sur START/PAUSE (MISE EN MARCHÉ/PAUSE). De l'eau coule dans la laveuse pendant un moment, puis s'arrête de couler, le couvercle se verrouille et le programme reprend.

**REMARQUE :** Pour de meilleurs résultats, ne pas interrompre le programme. Si l'on doit interrompre le programme, appuyer deux fois sur START/PAUSE (MISE EN MARCHÉ/PAUSE) et faire fonctionner un programme RINSE & SPIN (RINÇAGE ET ESSORAGE) pour s'assurer que le nettoyant ou l'agent de blanchiment ont été rincés de la laveuse.

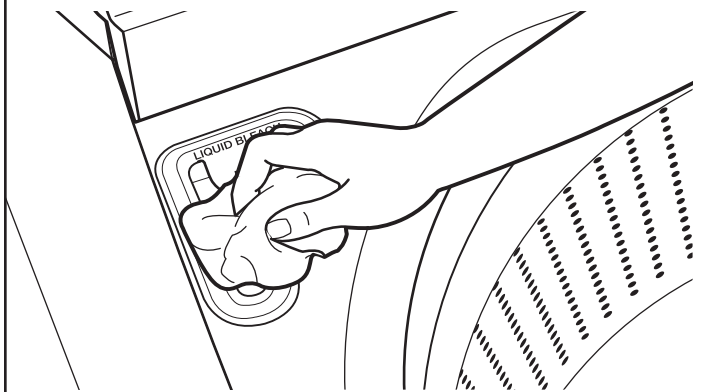
### Nettoyage de l'extérieur :

1. Utiliser une éponge ou un chiffon doux et humide pour essuyer les renversements.
2. Utiliser un nettoyant de surface tout usage si nécessaire.

**IMPORTANT :** Afin d'éviter d'endommager le revêtement de la laveuse, ne pas utiliser de produits abrasifs.

## NETTOYAGE DES DISTRIBUTEURS

On trouvera peut-être des traces de produits de lessive dans les distributeurs. Pour retirer les traces, essuyer avec un chiffon humide et sécher avec une serviette.



## NON-UTILISATION ET ENTRETIEN EN PÉRIODE DE VACANCES

Faire fonctionner la laveuse seulement lorsqu'on est présent. En cas de déménagement ou si l'on n'utilise pas la laveuse pendant un certain temps, suivre les étapes suivantes :

1. Débrancher la laveuse ou déconnecter la source de courant électrique.
2. Fermer l'alimentation en eau à la laveuse pour éviter toute inondation due à une surpression.

## ENTRETIEN POUR ENTREPOSAGE HIVERNAL

**IMPORTANT :** Pour éviter tout dommage, installer et remiser la laveuse à l'abri du gel. L'eau qui peut rester dans les tuyaux risque d'abîmer la laveuse en temps de gel. Si la laveuse doit faire l'objet d'un déménagement ou d'entreposage au cours d'une période de gel, hivériser la laveuse.

### Hivérisation de la laveuse :

1. Fermer les deux robinets d'eau; déconnecter et vidanger les tuyaux d'arrivée d'eau.
2. Placer 1 pinte (1 L) d'antigel pour véhicule récréatif dans le panier et faire fonctionner la laveuse sur un programme RINSE & SPIN (RINÇAGE ET ESSORAGE) pendant environ 30 secondes pour mélanger l'antigel et l'eau restante.
3. Débrancher la laveuse ou déconnecter la source de courant électrique.

## TRANSPORT DE LA LAVEUSE

1. Fermer les deux robinets d'eau. Débrancher et vidanger les tuyaux d'arrivée d'eau.
2. Si l'on déplace la laveuse pendant une période de gel, suivre les instructions de la section ENTRETIEN POUR ENTREPOSAGE HIVERNAL avant de la déplacer.
3. Déconnecter le tuyau de vidange du système de vidange.
4. Débrancher le cordon d'alimentation.
5. Placer les tuyaux d'arrivée d'eau dans le panier de la laveuse.
6. Faire passer le cordon d'alimentation et le tuyau de vidange par dessus la console et les fixer avec du ruban de masquage.
7. Replacer l'emballage en polystyrène circulaire des matériaux d'expédition d'origine à l'intérieur de la laveuse. Si vous n'avez plus l'emballage circulaire, placer des couvertures lourdes ou des serviettes dans l'ouverture du panier. Fermer le couvercle et placer du ruban adhésif sur le couvercle et jusqu'à la partie inférieure avant de la laveuse. Laisser le couvercle fermé par l'adhésif jusqu'à ce que la laveuse soit installée à son nouvel emplacement.

## ⚠ AVERTISSEMENT



### Risque de choc électrique

Brancher sur une prise à 3 alvéoles reliée à la terre.

Ne pas enlever la broche de liaison à la terre.

Ne pas utiliser un adaptateur.

Ne pas utiliser un câble de rallonge.

Le non-respect de ces instructions peut causer un décès, un incendie ou un choc électrique.

## RÉINSTALLATION/RÉUTILISATION DE LA LAVEUSE

Pour réinstaller la laveuse en cas de non-utilisation, d'entreposage pour l'hiver, de déménagement ou en période de vacances :

1. Consulter les instructions d'installation pour choisir l'emplacement, régler l'aplomb de la laveuse et la raccorder.
2. Avant de réutiliser la laveuse, exécuter la procédure recommandée suivante :

### Remise en marche de la laveuse :

1. Vidanger les canalisations d'eau et les tuyaux. Reconnecter les tuyaux d'arrivée d'eau. Ouvrir les deux robinets d'eau.
2. Brancher la laveuse ou reconnecter la source de courant électrique.
3. Faire exécuter à la laveuse le programme BULKY ITEMS (ARTICLES VOLUMINEUX) pour nettoyer la laveuse et éliminer l'antigel, le cas échéant. Utiliser uniquement un détergent HE Haute efficacité. Utiliser la moitié de la quantité recommandée par le fabricant pour une charge de taille moyenne.

# DÉPANNAGE

Essayer d'abord les solutions suggérées ici ou consulter le site Web [www.whirlpool.com/help](http://www.whirlpool.com/help) pour obtenir de l'aide et pour éviter une intervention de réparation.

Si les phénomènes suivants se produisent	Causes possibles	Solution
<b>Vibrations ou déséquilibre</b>		
Vibrations, balancement ou effet de "marche" de la laveuse	Les pieds ne sont peut-être pas en contact avec le plancher ou peut-être qu'ils ne sont verrouillés.	Les pieds avant et arrière doivent être en contact ferme avec le plancher et la laveuse doit être d'aplomb pour fonctionner correctement. Les contre-écrous doivent être bien serrés contre le bas de la caisse.
	La laveuse n'est peut-être pas d'aplomb.	Vérifier que le plancher n'est pas incurvé ou qu'il ne s'affaisse pas. Si le plancher est irrégulier, un morceau de contreplaqué de 3/4" (19 mm) placé sous la laveuse permettra de réduire le bruit. Voir "Réglage de l'aplomb de la laveuse" dans les "Instructions d'installation".
Vibrations durant l'essorage ou la laveuse s'arrête et toutes les lumières de cadrans clignotent	La charge est peut-être déséquilibré.	Charger les vêtements sans les tasser et de façon uniforme le long du plateau de lavage. Ne pas placer les vêtements directement au centre du plateau de lavage. Le fait d'ajouter des articles mouillés ou de rajouter de l'eau dans le panier pourrait déséquilibrer la laveuse.
		Éviter de laver un article seul. Compenser le poids d'un article seul tel qu'un tapis ou une veste en jeans par quelques articles supplémentaires pour équilibrer le tout. Si le cadran clignote, ré-agencer la charge, fermer le couvercle et appuyer sur START/PAUSE (MISE EN MARCHE/PAUSE).
		Utiliser le programme Bulky Items (Articles volumineux) pour les articles surdimensionnés et non absorbants tels que les couettes ou les vestes avec rembourrage en polyester. Certains articles ne conviennent pas au programme Bulky Items (Articles volumineux). Voir "Guide de programmes".
		L'article ou la charge ne convient pas au programme sélectionné. Voir "Guide de programmes" et "Utilisation de la laveuse" dans ce "Guide d'utilisation et d'entretien".
<b>Bruits - Pour une liste des bruits de fonctionnement normaux, consulter <a href="http://www.maytag.com/help">www.maytag.com/help</a>.</b>		
Cliquetis ou bruits métalliques	Des objets sont coincés dans le système de vidange de la laveuse.	Vider les poches avant le nettoyage. Les articles mobiles tels des pièces de monnaie sont susceptibles de tomber entre le panier et la cuve; ils peuvent aussi obstruer la pompe. Un appel pour intervention de dépannage s'avéra peut-être nécessaire pour retirer ces objets.
		Il est normal d'entendre des articles métalliques faisant partie des vêtements comme les boutons-pression métalliques, boucles ou fermetures à glissière toucher le panier en acier inoxydable.
Gargouillement ou bourdonnement	La laveuse est peut-être en train d'évacuer de l'eau.	Il est normal d'entendre la pompe produire un bourdonnement continu accompagné de gargouillements ou de bruits de pompage périodiques lorsque les quantités d'eau restantes sont éliminées au cours des programmes d'essorage/de vidange.
Bourdonnement	La laveuse détecte actuellement la charge.	Les essorages de détection peuvent émettre un bourdonnement après le démarrage de la laveuse. Ceci est normal. Les essorages de détection peuvent prendre plusieurs minutes avant que l'eau ne soit admise dans la laveuse.

# DÉPANNAGE

Essayer d'abord les solutions suggérées ici ou consulter le site Web [www.whirlpool.com/help](http://www.whirlpool.com/help) pour obtenir de l'aide et pour éviter une intervention de réparation.

Si les phénomènes suivants se produisent	Causes possibles	Solution
<b>Fuites d'eau</b>		
Vérifier ce qui suit pour que l'installation soit correcte :	La laveuse n'est pas d'aplomb.	Il est possible que de l'eau éclabousse en dehors du panier si la laveuse n'est pas d'aplomb.
	Les tuyaux de remplissage ne sont pas solidement fixés.	Serrer le raccord du tuyau de remplissage.
	Rondelles d'étanchéité des tuyaux de remplissage.	S'assurer que les quatre rondelles d'étanchéité plates des tuyaux de remplissage sont correctement installées.
	Raccord du tuyau de vidange.	Tirer le tuyau de vidange de la caisse de la laveuse et le fixer correctement dans le tuyau de rejet à l'égout ou l'évier de buanderie. Ne pas placer de ruban adhésif sur l'ouverture du système de vidange.
	Inspecter le circuit de plomberie du domicile pour vérifier qu'il n'y a pas de fuites ou que l'évier ou le tuyau de vidange n'est pas obstrué.	De l'eau pourrait refouler de l'évier ou du tuyau de rejet à l'égout obstrué. Inspecter tout le circuit de plomberie du domicile (éviers de buanderie, tuyau de vidange, conduites d'eau et robinets) pour vérifier qu'il n'y a aucune fuite.
	La laveuse n'a pas été chargée tel que recommandé.	Une charge déséquilibrée peut entraîner une déviation du panier et de l'eau pourrait alors éclabousser en dehors de la cuve. Voir "Utilisation de la laveuse" pour des instructions sur le chargement.
<b>La laveuse ne fonctionne pas comme prévu</b>		
Quantité d'eau insuffisante dans la laveuse	La charge n'est pas complètement submergée dans l'eau.	Ceci correspond à un fonctionnement normal pour une laveuse HE à faible consommation d'eau. La charge ne sera pas complètement submergée. La laveuse détecte la taille de la charge et ajoute la bonne quantité d'eau pour un nettoyage optimal. Voir "Quoi de neuf sous le couvercle". <b>IMPORTANT</b> : Ne pas ajouter d'eau dans la laveuse. De l'eau supplémentaire éloignerait la charge du plateau de lavage en la soulevant, ce qui réduirait la performance de nettoyage.
La laveuse ne fonctionne pas ou ne se remplit pas; elle cesse de fonctionner	Vérifier que la laveuse est correctement alimentée en eau.	Les deux tuyaux doivent être fixés et l'eau doit pénétrer dans la valve d'arrivée.
		Les robinets d'eau chaude et d'eau froide doivent être ouverts tous les deux.
		Vérifier que les tamis des valves d'arrivée ne sont pas obstrués.
		Vérifier que les tuyaux d'arrivée d'eau ne sont pas déformés; ceci peut réduire le débit.

# DÉPANNAGE

## ⚠ AVERTISSEMENT



### Risque de choc électrique

**Brancher sur une prise à 3 alvéoles reliée à la terre.**

**Ne pas enlever la broche de liaison à la terre.**

**Ne pas utiliser un adaptateur.**

**Ne pas utiliser un câble de rallonge.**

**Le non-respect de ces instructions peut causer un décès, un incendie ou un choc électrique.**

Essayer d'abord les solutions suggérées ici ou consulter le site Web [www.whirlpool.com/help](http://www.whirlpool.com/help) pour obtenir de l'aide et pour éviter une intervention de réparation.

Si les phénomènes suivants se produisent	Causes possibles	Solution	
<b>La laveuse ne fonctionne pas comme prévu (suite)</b>			
La laveuse ne fonctionne pas ou ne se remplit pas; elle cesse de fonctionner (suite)	Vérifier que l'alimentation électrique à la laveuse est correcte.	Brancher le cordon d'alimentation dans une prise à 3 alvéoles reliée à la terre.	
		Ne pas utiliser de câble de rallonge.	
		Vérifier que la prise est alimentée.	
	Fonctionnement normal de la laveuse.	Remettre un disjoncteur qui serait ouvert en marche. Remplacer tout fusible grillé.	<b>REMARQUE :</b> Si le problème persiste, appeler un électricien.
			Le couvercle doit être fermé pour que la laveuse puisse fonctionner.
			La laveuse fait des pauses durant certaines phases du programme. Ne pas interrompre le programme.
La charge de la laveuse est peut-être trop tassée.	On peut arrêter la laveuse pour réduire la production de mousse.	La laveuse détecte la charge sèche en procédant à de courts essorages qui peuvent prendre de 2 à 3 minutes avant que l'eau ne soit ajoutée. Les essorages peuvent émettre un bourdonnement. Ceci est normal.	
		Retirer plusieurs articles, et ré-agencer la charge de façon uniforme le long du plateau de lavage. Ne pas placer les vêtements directement au centre du plateau de lavage. Fermer le couvercle et appuyer sur START/PAUSE (MISE EN MARCHÉ/PAUSE).	
		Si l'on souhaite ajouter des vêtements une fois que la laveuse a démarré, n'en rajouter qu'un ou deux.	
Détergent HE non utilisé ou utilisation excessive de détergent HE.	Utiliser uniquement un détergent HE. La mousse produite par des détergents ordinaires peut ralentir ou arrêter la laveuse. Toujours mesurer la quantité de détergent et suivre les instructions figurant sur le détergent en fonction des modalités de nettoyage de la charge.	Ne pas ajouter d'eau dans la laveuse.	
		Pour éliminer la mousse, annuler le programme. Sélectionner DRAIN & SPIN (VIDANGE ET ESSORAGE). Sélectionner un programme. Appuyer sur START/PAUSE (MISE EN MARCHÉ/PAUSE). Ne pas ajouter de détergent.	

# DÉPANNAGE

Essayer d'abord les solutions suggérées ici ou consulter le site Web [www.whirlpool.com/help](http://www.whirlpool.com/help) pour obtenir de l'aide et pour éviter une intervention de réparation.

Si les phénomènes suivants se produisent	Causes possibles	Solution
<b>La laveuse ne fonctionne pas comme prévu (suite)</b>		
La laveuse ne se vidange/n'essore pas; les charges restent mouillées	Vider les poches et utiliser des sacs à linge pour les petits articles.	Des petits articles sont peut-être coincés dans la pompe ou entre le panier et la cuve, ce qui peut ralentir la vidange.
	Utiliser des programmes comportant une vitesse d'essorage inférieure.	Les programmes avec vitesses d'essorage réduites éliminent moins d'eau que les programmes qui comportent des vitesses d'essorage supérieures. Utiliser la vitesse d'essorage appropriée/le programme recommandé pour le vêtement.
	La charge de la laveuse est peut-être tassée ou déséquilibrée.	Des charges trop tassées peuvent empêcher la laveuse d'essorer correctement : les charges ressortent donc plus mouillées qu'elles ne devraient l'être. Répartir uniformément la charge mouillée pour que l'essorage soit équilibré. Sélectionner le programme DRAIN & SPIN (VIDANGE ET ESSORAGE) pour éliminer l'eau restée dans la laveuse. Voir "Utilisation de la laveuse" pour des recommandations sur la façon de charger la laveuse.
	Inspecter le circuit de plomberie pour vérifier que le tuyau de vidange est correctement installé. Le tuyau de vidange se prolonge dans le tuyau rigide de rejet à l'égout au-delà de 4,5" (114 mm).	Vérifier que le tuyau de vidange est correctement installé. Utiliser la bride de retenue pour tuyau de vidange et la fixer solidement au tuyau de rejet à l'égout ou à la cuve. Ne pas placer de ruban adhésif sur l'ouverture du système de vidange. Abaisser le tuyau de vidange si l'extrémité se trouve à plus de 96" (2,4 m) au-dessus du plancher. Retirer toute obstruction du tuyau de vidange.
	Détergent HE non utilisé ou utilisation excessive de détergent HE.	Un excès de mousse causé par l'utilisation d'un détergent ordinaire ou d'un surplus de détergent peut ralentir ou arrêter la vidange ou l'essorage. Utiliser uniquement un détergent HE. Toujours mesurer les quantités et suivre les instructions figurant sur le détergent en fonction de la charge. Pour éliminer tout excès de mousse, sélectionner RINSE & SPIN (RINÇAGE ET ESSORAGE). Ne pas ajouter de détergent.
Températures de lavage ou de rinçage incorrectes	Vérifier que la laveuse est correctement alimentée en eau.	Vérifier que les tuyaux d'arrivée d'eau chaude et d'eau froide ne sont pas inversés.
		Les deux tuyaux doivent être raccordés à la fois à la laveuse et au robinet, et la valve d'arrivée doit recevoir à la fois de l'eau chaude et de l'eau froide.
		Vérifier que les tamis des valves d'arrivée ne sont pas obstrués.
	Éliminer toute déformation des tuyaux.	
Températures de lavage contrôlées pour économies d'énergie.	Les laveuses certifiées de Energy Star® utilisent moins des températures de lavage et de rinçage inférieures à celles d'une laveuse traditionnelle à chargement par le dessus. Cela signifie également des températures de lavage à l'eau chaude et à l'eau tiède.	
Charge non rincée	Vérifier que la laveuse est correctement alimentée en eau.	Vérifier que les tuyaux d'arrivée d'eau chaude et d'eau froide ne sont pas inversés.
		Les deux tuyaux doivent être fixés et l'eau doit pénétrer dans la valve d'arrivée.
		Les robinets d'eau chaude et d'eau froide doivent être ouverts tous les deux.
		Les tamis de la valve d'arrivée d'eau de la laveuse sont peut-être obstrués.
		Éliminer toute déformation du tuyau d'arrivée.
	Détergent HE non utilisé ou utilisation excessive de détergent HE.	La mousse produite par un détergent ordinaire peut empêcher la laveuse de fonctionner correctement.
Utiliser uniquement un détergent HE. Veiller à mesurer correctement.		
Toujours mesurer la quantité de détergent et suivre les instructions du détergent en fonction de la taille et du niveau de saleté de la charge.		

# DÉPANNAGE

Essayer d'abord les solutions suggérées ici ou consulter le site Web [www.whirlpool.com/help](http://www.whirlpool.com/help) pour obtenir de l'aide et pour éviter une intervention de réparation.

Si les phénomènes suivants se produisent	Causes possibles	Solution
<b>La laveuse ne fonctionne pas comme prévu (suite)</b>		
Charge non rincée (suite)	La charge de la laveuse est peut-être trop tassée.	La laveuse effectuera un rinçage moins performant si la charge est bien tassée.
		Charger les vêtements sans les tasser et de façon uniforme le long du plateau de lavage. Ne pas placer les vêtements directement au centre du plateau de lavage.
		Utiliser le programme conçu pour les tissus à laver.
		Si l'on souhaite ajouter des vêtements une fois que la laveuse a démarré, n'en rajouter qu'un ou deux.
	Option Fabric Softener non sélectionnée.	Si l'on utilise de l'assouplissant pour tissu, s'assurer que l'option Fabric Softener a été sélectionnée.
Sable, poils d'animaux, charpie, etc. sur la charge après le lavage	Des résidus lourds de sable, de poils d'animaux, de charpie et de détergent ou d'agent de blanchiment peuvent nécessiter un rinçage supplémentaire.	Ajouter un Rinçage supplémentaire au programme sélectionné.
La charge est emmêlée	La laveuse n'a pas été chargée tel que recommandé.	Charger les vêtements sans les tasser et de façon uniforme le long du plateau de lavage. Ne pas placer les vêtements directement au centre du plateau de lavage.
		Réduire l'emmêlement en mêlant plusieurs types d'articles dans la charge. Utiliser le programme recommandé correspondant aux types de vêtements à laver.
	Action de lavage et/ou vitesse d'essorage trop rapide pour la charge.	Sélectionner un programme comportant un lavage plus lent et une vitesse d'essorage inférieure. Noter que les articles seront plus mouillés que si l'on utilise une vitesse d'essorage supérieure.
Ne nettoie ou ne détache pas	La charge de lavage n'est pas complètement submergée dans l'eau.	La laveuse détecte la taille de la charge et ajoute la quantité d'eau adéquate. Ceci est normal et nécessaire au mouvement des vêtements.
	Davantage d'eau a été ajoutée à la laveuse.	Ne pas ajouter d'eau dans la laveuse. De l'eau supplémentaire éloignerait la charge du plateau de lavage en la soulevant, ce qui réduirait la performance de nettoyage.
	La laveuse n'a pas été chargée tel que recommandé.	Charger les vêtements sans les tasser et de façon uniforme le long du plateau de lavage. Ne pas placer les vêtements directement au centre du plateau de lavage.
		Si l'on souhaite ajouter des vêtements une fois que la laveuse a démarré, n'en rajouter qu'un ou deux.
	Détergent HE non utilisé ou utilisation excessive de détergent HE.	La mousse produite par un détergent ordinaire peut empêcher la laveuse de fonctionner correctement.
		Utiliser uniquement un détergent HE. Veiller à mesurer correctement.
		Toujours mesurer la quantité de détergent et suivre les instructions figurant sur le détergent en fonction de la taille et du niveau de saleté de la charge.
Programme utilisé incorrect par rapport au type de tissu.		Utiliser une option de programme de niveau de saleté plus élevée et une température de lavage plus chaude pour améliorer le nettoyage.
		Si l'on utilise le programme Quick Wash (Lavage rapide) (sur certains modèles), ne laver que quelques articles.
		Utiliser le programme Whites (Blancs) et Heavy Duty (Service intense) pour un nettoyage puissant.
		Voir le "Guide de programmes" pour utiliser le programme qui correspond le mieux à la charge utilisée.

# DÉPANNAGE

Essayer d'abord les solutions suggérées ici ou consulter le site Web [www.whirlpool.com/help](http://www.whirlpool.com/help) pour obtenir de l'aide et pour éviter une intervention de réparation.

Si les phénomènes suivants se produisent	Causes possibles	Solution
<b>La laveuse ne fonctionne pas comme prévu (suite)</b>		
Ne nettoie ou ne détache pas (suite)	Distributeurs non utilisés.	Utiliser les distributeurs pour éviter que l'agent de blanchiment ou l'assouplissant pour tissu ne tachent les vêtements.
		Remplir les distributeurs avant de démarrer un programme.
Éviter de les remplir excessivement.		
Ne pas verser de produits directement sur la charge.		
	Les couleurs similaires ne sont pas lavées ensemble.	Laver ensemble les couleurs semblables et les retirer rapidement une fois le programme terminé pour éviter tout transfert de teinture.
Odeurs	L'entretien mensuel n'est pas effectué tel que recommandé.	Faire fonctionner le programme Clean Washer With AFFRESH™ (Nettoyage de la laveuse avec AFFRESH™) après chaque série de 30 lavages. Voir "Nettoyage de la laveuse" dans la section "Entretien de la laveuse".
		Décharger la laveuse dès que le programme est terminé.
	Détergent HE non utilisé ou utilisation excessive de détergent HE.	Utiliser uniquement un détergent HE. Veiller à mesurer correctement.
		Toujours suivre les instructions du détergent. Voir la section "Nettoyage de la laveuse".
Dommages aux tissus	Des objets pointus se trouvaient dans les poches au moment du programme de lavage.	Vider les poches, fermer les fermetures à glissière, les boutons pression et les agrafes avant le lavage pour éviter d'accrocher et de déchirer le linge.
	Les cordons et les ceintures se sont peut-être emmêlés.	Attacher tous les cordons et les ceintures avant de démarrer le nettoyage de la charge.
	Les articles étaient peut-être endommagés avant le lavage.	Raccommoder les déchirures et reprendre les fils cassés des coutures avant le lavage.
	Des dommages au tissu peuvent se produire si la laveuse est bien tassée.	Charger les vêtements sans les tasser et de façon uniforme le long du plateau de lavage. Ne pas placer les vêtements directement au centre du plateau de lavage.
		Utiliser le programme conçu pour les tissus à laver.
		Si l'on souhaite ajouter des vêtements une fois que la laveuse a démarré, n'en rajouter qu'un ou deux.
	Les instructions de soin des vêtements n'ont peut-être pas été suivies.	Avez-vous lu et suivi les instructions d'entretien du fabricant indiquées sur l'étiquette du vêtement. Voir le "Guide de programmes" pour utiliser le programme qui correspond le mieux à la charge utilisée.
Vous n'avez peut-être pas ajouté l'agent de blanchiment liquide correctement.		Ne pas verser d'eau de Javel directement sur la charge. Essayer tous les renversements d'agent de blanchiment.
		Un agent de blanchiment non dilué endommagera les tissus. Ne pas utiliser plus que la quantité recommandée par le fabricant.
		Ne pas placer d'articles sur le dessus du distributeur d'agent de blanchiment lorsqu'on charge et décharge la laveuse.
Fonctionnement incorrect du distributeur	Distributeurs obstrués ou produits de lessive distribués trop tôt.	Ne pas remplir excessivement le distributeur. Un remplissage excessif peut entraîner une distribution immédiate.
		Toujours sélectionner l'option Fabric Softener pour garantir une bonne distribution.
		Remplir les distributeurs avant de démarrer un programme.
		Il est normal qu'il reste de petites quantités d'eau dans le distributeur une fois le programme terminé.
		Pour les domiciles présentant une basse pression d'eau, il est possible qu'il reste de la poudre dans le distributeur. Pour éviter cela, sélectionner une température de lavage plus chaude si possible, en fonction de la charge.
	L'agent de blanchiment liquide n'a pas été versé dans le distributeur.	Utiliser seulement un agent de blanchiment liquide dans le distributeur d'agent de blanchiment.

# DÉPANNAGE

Essayer d'abord les solutions suggérées ici ou consulter le site Web [www.whirlpool.com/help](http://www.whirlpool.com/help) pour obtenir de l'aide et pour éviter une intervention de réparation.

Si les phénomènes suivants se produisent	Causes possibles	Solution
<b>Un code d'erreur apparaît sur l'afficheur</b>		
oL (surcharge) apparaît sur l'afficheur	Charge trop grosse.	Si une surcharge est détectée, la laveuse évacue tout détergent et eau présent(e) dans la laveuse. Retirer plusieurs articles et ajouter du détergent HE. Fermer le couvercle et appuyer sur START/PAUSE (MISE EN MARCHÉ/PAUSE).
uL (charge déséquilibrée) apparaît sur l'afficheur	Charge pas équilibrée. La laveuse effectue actuellement une procédure de rééquilibrage de la charge.	Laisser la machine continuer. Si un cadran clignote et que la laveuse s'est arrêtée, redistribuer la charge, fermer le couvercle et appuyer sur START/PAUSE (MISE EN MARCHÉ/PAUSE).
LF (remplissage trop long) apparaît sur l'afficheur	La laveuse met trop de temps à se remplir. Le tuyau de vidange se prolonge dans le tuyau rigide de rejet à l'égout au-delà de 4,5" (114 mm).	Inspecter le circuit de plomberie pour vérifier que le tuyau de vidange est correctement installé. Utiliser la bride de retenue pour tuyau de vidange et la fixer solidement au tuyau de rejet à l'égout ou à la cuve. Ne pas placer de ruban adhésif sur l'ouverture du système de vidange. Voir "Instructions d'installation".
Ld (vidange trop longue) apparaît sur l'afficheur	La laveuse met trop de temps à se vidanger. Le tuyau de vidange se prolonge dans le tuyau rigide de rejet à l'égout au-delà de 4,5" (114 mm).	Inspecter le circuit de plomberie pour vérifier que le tuyau de vidange est correctement installé. Utiliser la bride de retenue pour tuyau de vidange et la fixer solidement au tuyau de rejet à l'égout ou à la cuve. Ne pas placer de ruban adhésif sur l'ouverture du système de vidange.
		Abaisser le tuyau de vidange si l'extrémité se trouve à plus de 96" (2,4 m) au-dessus du plancher. Retirer toute obstruction du tuyau de vidange. Voir "Instructions d'installation".
HC (tuyaux d'eau chaude et d'eau froide inversés) apparaît sur l'afficheur	Les tuyaux d'arrivée d'eau chaude et d'eau froide n'ont pas été installés correctement.	Ce code apparaît à la fin du programme de lavage pour indiquer qu'un tuyau d'eau froide est raccordé au point d'entrée de l'eau chaude et que le tuyau d'eau chaude est raccordé au point d'entrée de l'eau froide.
Sd (mousse excessive) apparaît sur l'afficheur	Il y a trop de mousse dans la laveuse. La laveuse exécute une procédure de réduction de la quantité de mousse.	Laisser la laveuse continuer. Utiliser uniquement un détergent HE. Toujours mesurer le détergent et baser la quantité de détergent sur la taille de la charge. Suivre les instructions du fabricant du détergent. Si le cadran clignote, sélectionner à nouveau le programme désiré à l'aide d'une température de lavage froide et appuyer sur START/PAUSE (MISE EN MARCHÉ/PAUSE). Ne pas ajouter de détergent.
dL (verrouillage couvercle impossible) apparaît sur l'afficheur	Un des articles de la charge empêche peut-être le couvercle de se verrouiller.	Vérifier qu'aucun article ne se trouve sous le couvercle.
lid (couvercle ouvert) apparaît sur l'afficheur	Le couvercle de la laveuse est resté ouvert.	Fermer le couvercle pour remettre l'affichage à zéro. Si le couvercle reste ouvert pendant plus de 10 minutes, le programme reprend depuis le début et l'eau présente dans la laveuse est vidangée.
dU (déverrouillage couvercle impossible) apparaît sur l'afficheur	Des objets sur le couvercle de la laveuse empêchent celle-ci de se déverrouiller.	Retirer les objets tels qu'un panier de linge du dessus de la laveuse.
Code F## (code d'erreur de type F) apparaît sur l'afficheur	Code d'erreur du système.	Appuyer une fois sur START/PAUSE (MISE EN MARCHÉ/PAUSE) pour effacer le code. Puis appuyer de nouveau sur START/PAUSE (MISE EN MARCHÉ/PAUSE) pour redémarrer la laveuse. Si le code réapparaît, faire un appel de service.

# GARANTIE DES GROS APPAREILS MÉNAGERS WHIRLPOOL CORPORATION

## GARANTIE LIMITÉE

Pendant un an à compter de la date d'achat, lorsque ce gros appareil ménager est utilisé et entretenu conformément aux instructions jointes à ou fournies avec le produit, Whirlpool Corporation ou Whirlpool Canada LP (ci-après désignées "Whirlpool") paiera pour les pièces spécifiées par l'usine et la main-d'œuvre pour corriger les vices de matériaux ou de fabrication qui existaient déjà lorsque ce gros appareil ménager a été acheté. Le service doit être fourni par une compagnie de service désignée par Whirlpool. LE SEUL ET EXCLUSIF RECOURS DU CLIENT DANS LE CADRE DE LA PRÉSENTE GARANTIE LIMITÉE CONSISTE EN LA RÉPARATION PRÉVUE CI-DESSUS. Cette garantie limitée est valide uniquement aux États-Unis ou au Canada et s'applique exclusivement lorsque le gros appareil ménager est utilisé dans le pays où il a été acheté. Une preuve de la date d'achat d'origine est exigée pour obtenir un service dans le cadre de la présente garantie limitée.

## ÉLÉMENTS EXCLUS DE LA GARANTIE

La présente garantie limitée ne couvre pas :

1. Les pièces de rechange ou la main d'œuvre lorsque ce gros appareil ménager est utilisé à des fins autres que l'usage unifamilial normal ou lorsque les instructions d'installation et/ou les instructions de l'opérateur ou de l'utilisateur fournies ne sont pas respectées.
2. Les visites de service pour rectifier l'installation du gros appareil ménager, montrer à l'utilisateur comment utiliser l'appareil, remplacer ou réparer des fusibles ou rectifier le câblage ou la plomberie du domicile.
3. Les visites de service pour réparer ou remplacer les ampoules électriques, les filtres à air ou les filtres à eau de l'appareil. Les pièces consommables ne sont pas couvertes par la garantie.
4. Les dommages imputables à : accident, modification, usage impropre ou abusif, incendie, inondation, actes de Dieu, installation fautive ou installation non conforme aux codes d'électricité ou de plomberie, ou l'utilisation de produits non approuvés par Whirlpool.
5. Les défauts apparents, notamment les éraflures, les bosses, fissures ou tout autre dommage au fini du gros appareil ménager, à moins que ces dommages soient dus à des vices de matériaux ou de fabrication et soient signalés à Whirlpool dans les 30 jours suivant la date d'achat.
6. L'enlèvement et la livraison. Ce gros appareil ménager est conçu pour être réparé à domicile.
7. Les réparations aux pièces ou systèmes résultant d'une modification non autorisée faite à l'appareil.
8. Les frais de déplacement et de transport pour le service d'un produit si votre gros appareil ménager est situé dans une région éloignée où un service d'entretien Whirlpool autorisé n'est pas disponible.
9. La dépose et la réinstallation de votre gros appareil ménager si celui-ci est installé dans un endroit inaccessible ou n'est pas installé conformément aux instructions d'installation fournies par Whirlpool.
10. Les pièces de rechange ou la main d'œuvre pour les gros appareils ménagers dont les numéros de série et de modèle originaux ont été enlevés, modifiés ou qui ne peuvent pas être facilement identifiés.

## CLAUSE D'EXONÉRATION DE RESPONSABILITÉ AU TITRE DES GARANTIES IMPLICITES

LES GARANTIES IMPLICITES, Y COMPRIS LES GARANTIES APPLICABLES DE QUALITÉ MARCHANDE OU D'APTITUDE À UN USAGE PARTICULIER, SONT LIMITÉES À UN AN OU À LA PLUS COURTE PÉRIODE AUTORISÉE PAR LA LOI. Certains États et certaines provinces ne permettent pas de limitation sur la durée de garanties implicites de qualité marchande ou d'aptitude à un usage particulier, de sorte que la limitation ci-dessus peut ne pas être applicable dans votre cas. Cette garantie vous confère des droits juridiques spécifiques, et vous pouvez également jouir d'autres droits qui peuvent varier d'une juridiction à l'autre.

## LIMITATION DES RECOURS, EXCLUSION DES DOMMAGES FORTUITS OU INDIRECTS

LE SEUL ET EXCLUSIF RECOURS DU CLIENT DANS LE CADRE DE LA PRÉSENTE GARANTIE LIMITÉE CONSISTE EN LA RÉPARATION PRÉVUE CI-DESSUS. WHIRLPOOL N'ASSUME AUCUNE RESPONSABILITÉ POUR LES DOMMAGES FORTUITS OU INDIRECTS. Certains États et certaines provinces ne permettent pas l'exclusion ou la limitation des dommages fortuits ou indirects de sorte que ces limitations et exclusions peuvent ne pas être applicables dans votre cas. Cette garantie vous confère des droits juridiques spécifiques, et vous pouvez également jouir d'autres droits qui peuvent varier d'une juridiction à l'autre.

Si vous résidez à l'extérieur du Canada et des 50 États des États-Unis, contactez votre marchand Whirlpool autorisé pour déterminer si une autre garantie s'applique.

Si vous avez besoin d'un service de réparation, voir d'abord la section "Dépannage" du Guide d'utilisation et d'entretien. Si vous n'êtes pas en mesure de résoudre le problème après avoir consulté la section "Dépannage", vous pouvez trouver de l'aide supplémentaire en consultant la section "Assistance ou Service" ou en appelant Whirlpool. Aux É.-U., composer le **1-800-253-1301**. Au Canada, composer le **1-800-807-6777**.

7/08

**Conservez ce manuel et votre reçu de vente ensemble pour référence ultérieure. Pour le service sous garantie, vous devez présenter un document prouvant la date d'achat ou d'installation.**

Inscrivez les renseignements suivants au sujet de votre gros appareil ménager pour mieux vous aider à obtenir assistance ou service en cas de besoin. Vous devrez connaître le numéro de modèle et le numéro de série au complet. Vous trouverez ces renseignements sur la plaque signalétique située sur le produit.

Nom du marchand \_\_\_\_\_

Adresse \_\_\_\_\_

Numéro de téléphone \_\_\_\_\_

Numéro de modèle \_\_\_\_\_

Numéro de série \_\_\_\_\_

Date d'achat \_\_\_\_\_

NOTES



## ASSISTANCE OR SERVICE

Before calling for assistance or service, please check "Troubleshooting" or visit [www.whirlpool.com/help](http://www.whirlpool.com/help). It may save you the cost of a service call. If you still need help, follow the instructions below.

When calling, please know the purchase date and the complete model and serial number of your appliance. This information will help us to better respond to your request.

### If you need replacement parts or to order accessories

We recommend that you use only FSP® Factory Specified Parts. These parts will fit right and work right because they are made with the same precision used to build every new WHIRLPOOL® appliance.

#### To locate FSP® replacement parts, assistance in your area, or accessories:

Whirlpool Corporation Customer eXperience Center  
**1-800-253-1301** [www.whirlpool.com](http://www.whirlpool.com)

**1-800-442-9991** (Accessories)  
[www.whirlpool.com/accessories](http://www.whirlpool.com/accessories)

Whirlpool Canada LP  
Customer eXperience Centre  
**1-800-807-6777**  
[www.whirlpool.ca](http://www.whirlpool.ca)

or call your nearest designated service center or refer to your Yellow Pages telephone directory.

### Our consultants provide assistance with

#### In the U.S.A.

- Features and specifications on our full line of appliances.
- Installation information.
- Specialized customer assistance (Spanish speaking, hearing impaired, limited vision, etc.).

#### In the U.S.A. and Canada

- Use and maintenance procedures.
- Accessory and repair parts sales.
- Referrals to local dealers, repair parts distributors, and service companies. Whirlpool designated service technicians are trained to fulfill the product warranty and provide after-warranty service, anywhere in the United States and Canada.

You can write with any questions or concerns at:

Whirlpool Corporation  
Customer eXperience Center  
553 Benson Road  
Benton Harbor, MI 49022-2692

Customer eXperience Centre  
Whirlpool Canada LP  
Unit 200 - 6750 Century Ave.  
Mississauga, ON L5N 0B7

Please include a daytime phone number in your correspondence.

## ASSISTANCE OU SERVICE

Avant de faire un appel pour assistance ou service, veuillez vérifier la section "Dépannage" ou consulter [www.whirlpool.com/help](http://www.whirlpool.com/help). Cette vérification peut vous faire économiser le coût d'une visite de réparation. Si vous avez encore besoin d'aide, suivre les instructions ci-dessous.

Lors d'un appel, veuillez connaître la date d'achat et les numéros au complet de modèle et de série de votre appareil. Ces renseignements nous aideront à mieux répondre à votre demande.

### Si vous avez besoin de pièces de rechange ou pour commander des accessoires

Si vous avez besoin de commander des pièces de rechange, nous vous recommandons d'utiliser seulement des pièces spécifiées par l'usine FSP®. Ces pièces conviendront et fonctionneront bien parce qu'elles sont fabriquées selon les mêmes spécifications précises utilisées pour construire chaque nouvel appareil WHIRLPOOL®.

#### Pour trouver des pièces de rechange FSP® ou des accessoires dans votre région :

Whirlpool Canada LP Centre pour l'eXpérience de la clientèle  
**1-800-807-6777** [www.whirlpool.ca](http://www.whirlpool.ca)

#### Nos consultants fournissent l'assistance pour :

- Procédés d'utilisation et d'entretien.
- Vente d'accessoires et de pièces de rechange.
- Les références aux concessionnaires, compagnies de service de réparation et distributeurs de pièces de rechange locaux. Les techniciens de service désignés par Whirlpool® sont formés pour remplir la garantie des produits et fournir un service après la garantie, partout au Canada.

#### Pour plus d'assistance

Vous pouvez nous soumettre toute question ou problème en écrivant à l'adresse ci-dessous :

Centre pour l'eXpérience de la clientèle  
Whirlpool Canada LP  
Unit 200 - 6750 Century Ave.  
Mississauga, ON L5N 0B7

Dans votre correspondance, veuillez indiquer un numéro de téléphone où on peut vous joindre dans la journée.