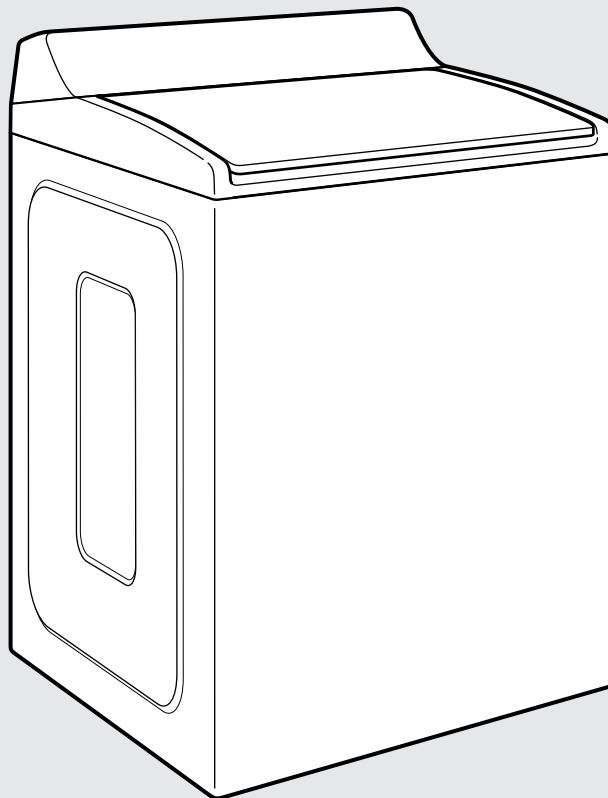




Use & Care Guide Guide d'utilisation et d'entretien

Top-Loading High Efficiency Low-Water Washer Laveuse haute efficacité à faible consommation d'eau avec chargement par le dessus



Para obtener acceso
al Manual de uso y
cuidado en español, o para
obtener información adicional
acerca de su producto, visite:
www.whirlpool.com.

If you have any problems or questions, visit us at www.whirlpool.com
Pour tout problème ou toute question, consulter www.whirlpool.ca



Designed to use only HE High Efficiency
detergents.
Conçue pour l'utilisation d'un détergent haute
efficacité seulement.

Table of Contents

WASHER SAFETY	2
WHAT'S NEW UNDER THE LID?	4
CONTROL PANEL AND FEATURES	5
Dispensers and faucet.....	6
CYCLE GUIDE.....	7
USING YOUR WASHER.....	8
WASHER MAINTENANCE	13
TROUBLESHOOTING.....	15
WARRANTY.....	20
ASSISTANCE OR SERVICE.....	Back Cover

Table des matières

SÉCURITÉ DE LA LAVEUSE	21
QUOI DE NEUF SOUS LE COUVERCLE?	22
TABLEAU DE COMMANDE ET CARACTÉRISTIQUES	23
Distributeurs et robinet.....	25
GUIDE DES PROGRAMMES	26
UTILISATION DE LA LAVEUSE	28
ENTRETIEN DE LA LAVEUSE.....	34
DÉPANNAGE.....	36
GARANTIE.....	44
ASSISTANCE OU SERVICE.....	Couverture arrière

Washer Safety

Your safety and the safety of others are very important.

We have provided many important safety messages in this manual and on your appliance. Always read and obey all safety messages.



This is the safety alert symbol.

This symbol alerts you to potential hazards that can kill or hurt you and others.

All safety messages will follow the safety alert symbol and either the word "DANGER" or "WARNING." These words mean:

! DANGER

You can be killed or seriously injured if you don't immediately follow instructions.

! WARNING

You can be killed or seriously injured if you don't follow instructions.

All safety messages will tell you what the potential hazard is, tell you how to reduce the chance of injury, and tell you what can happen if the instructions are not followed.

IMPORTANT SAFETY INSTRUCTIONS

WARNING: To reduce the risk of fire, electric shock, or injury to persons when using the washer, follow basic precautions, including the following:

- Read all instructions before using the washer.
- Do not wash articles that have been previously cleaned in, washed in, soaked in, or spotted with gasoline, dry-cleaning solvents, other flammable, or explosive substances as they give off vapors that could ignite or explode.
- Do not add gasoline, dry-cleaning solvents, or other flammable, or explosive substances to the wash water. These substances give off vapors that could ignite or explode.
- Under certain conditions, hydrogen gas may be produced in a hot water system that has not been used for 2 weeks or more. **HYDROGEN GAS IS EXPLOSIVE.** If the hot water system has not been used for such a period, before using the washing machine, turn on all hot water faucets and let the water flow from each for several minutes. This will release any accumulated hydrogen gas. As the gas is flammable, do not smoke or use an open flame during this time.
- Do not allow children to play on or in the washer. Close supervision of children is necessary when the washer is used near children.
- Before the washer is removed from service or discarded, remove the door or lid.
- Do not reach into the washer if the drum, tub or agitator is moving.
- Do not install or store the washer where it will be exposed to the weather.
- Do not tamper with controls.
- Do not repair or replace any part of the washer or attempt any servicing unless specifically recommended in this manual or in published user-repair instructions that you understand and have the skills to carry out.
- See "Electrical Requirements" located in the installation instructions for grounding instructions.

SAVE THESE INSTRUCTIONS

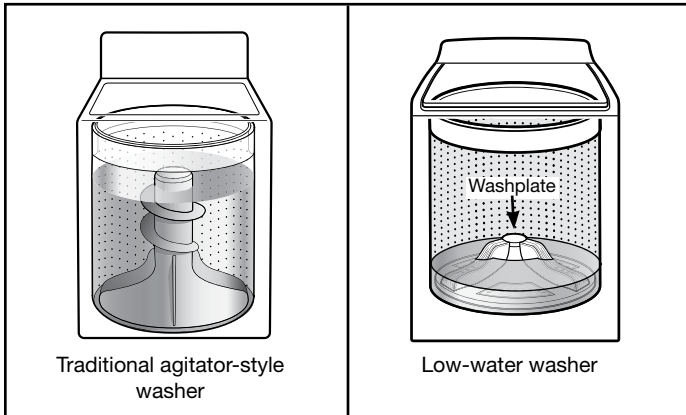
State of California Proposition 65 Warnings:

WARNING: This product contains one or more chemicals known to the State of California to cause cancer.

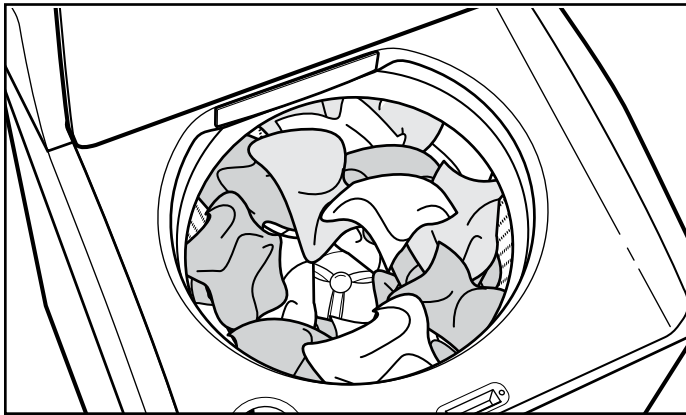
WARNING: This product contains one or more chemicals known to the State of California to cause birth defects or other reproductive harm.

What's New Under the Lid?

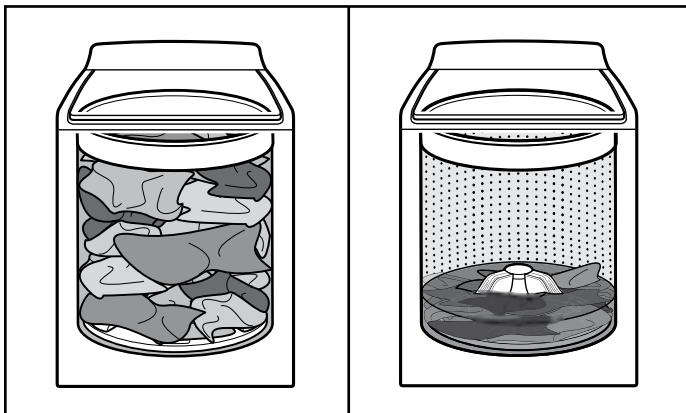
Cleaning with Less Water



The most striking difference in your new washer is the low-water washplate wash system. The washer automatically adjusts the water level to the load size—no water level selector is needed.



For best performance, it is recommended to load items in loose heaps evenly around the washplate.



As the washer dampens and moves the load, the level of the items will settle in the basket. This is normal and does not indicate that more items should be added.

IMPORTANT: You will not see a washer basket full of water as with your past agitator-style washer. It is normal for some of the load to be above the water line.

Automatic Load Size Sensing

Once you start the cycle, the lid will lock and the washer will begin the sensing process to determine the correct water level for the load.

Initially the basket will start to spin prior to adding water; this is part of the sensing process and is normal. This low-water wash method uses less water and energy compared to a traditional agitator-style washer.

Choosing the Right Detergent

Use only High Efficiency detergents. The package will be marked "HE" or "High Efficiency." Low-water washing creates excessive sudsing with a non-HE detergent. Using non-HE detergent will likely result in longer cycle times and reduced rinsing performance. It may also result in component malfunction and, over time, buildup of mold or mildew. HE detergents should be low-sudsing and quick-dispersing to produce the right amount of suds for the best performance. They should hold soil in suspension so it is not redeposited onto clean clothes. Not all detergents labeled as High Efficiency are identical in formulation and their ability to reduce suds. For example, natural, organic, or homemade HE detergents may generate a high level of suds. If you use one of these and see an "F0E2" error code appear in the display, consider using a different HE detergent. Always follow the detergent manufacturer's instructions to determine the amount of detergent to use. Do not go over the Max line on the dispenser. See "Using Laundry Product Dispensers" for more information.



Use only High Efficiency (HE) detergent.

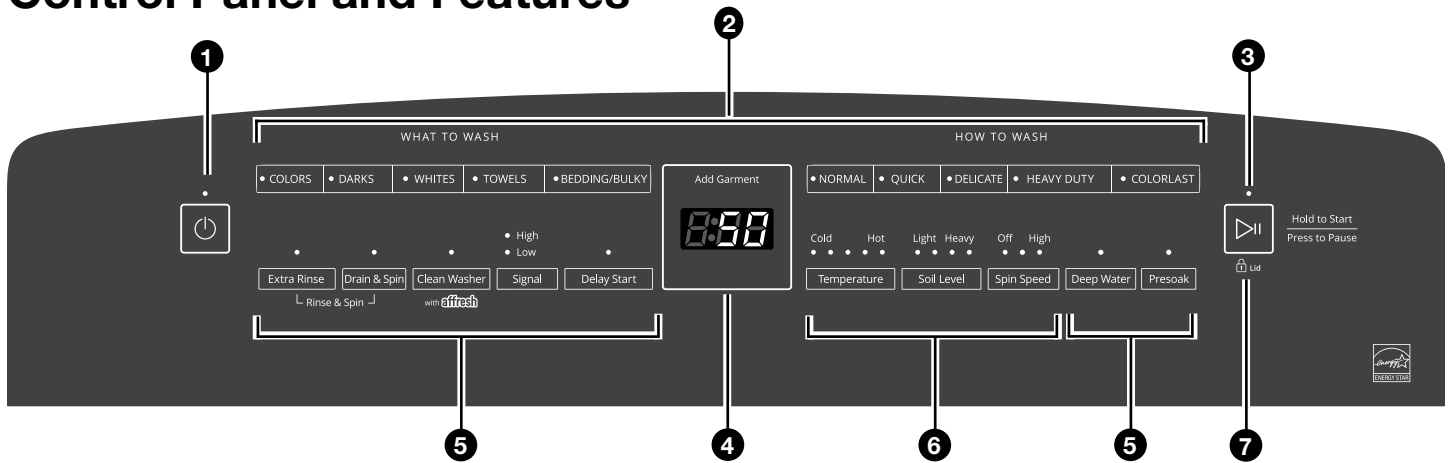
Improved Cleaning

Low-water cleaning means concentrated cleaning. Rather than diluting detergent as done in an agitator-style washer, this washer delivers the detergent directly to the soils. This low water wash also allows the clothing to move in a more effective way to remove soils.

Normal Sounds You Can Expect

At different stages of the wash cycle, you may hear sounds and noises that are different from those of your previous washer. For example, you may hear a clicking and hum at the beginning of the cycle as the lid lock goes through a self-test. There will be different kinds of humming and whirring sounds as the washplate moves the load and as the basket is slowing down to stop. And sometimes, you may hear nothing at all as the washer determines the correct water level for your load or allows time for clothes to soak.

Control Panel and Features



NOTE: The control panel features a sensitive surface that responds to a light touch of your finger. To ensure your selections are registered, touch the control panel with your finger tip, not your fingernail. When selecting a setting or option, simply touch its name until the desired section is illuminated.

1 POWER BUTTON

Touch to turn the washer on. Touching once while the washer is on will cancel the current cycle, touching twice will turn the washer off.

2 WHAT TO WASH/HOW TO WASH

First select a cycle from "What to Wash" and then select "How to Wash" to get the best combination cycle available for the type of items you are going to wash. See "Cycle Guide" for cycle details.

3 START/PAUSE BUTTON

Touch and hold the START/PAUSE button to begin the selected cycle; touch again to pause a cycle.

4 LED TIME/STATUS DISPLAY

The Estimated Time Remaining display shows the time required for the cycle to complete. Factors such as load size and water pressure may affect the time shown in the display. Tightly packed loads, unbalanced loads, or excessive suds may cause the washer to adjust the cycle time, as well.

If you have set a delay start to the cycle, the Estimated Time Remaining display will show the delay time adjusted.

When the cycle is complete, the Done indicator will light until the lid is opened.

ADD GARMENT

When Add Garment is lit, you may pause the washer, open the lid, and add items. Touch and hold the START/PAUSE button to start the washer again.

5 OPTIONS

You may add or remove options for each cycle. Not all options can be used with all cycles, and some are preset to work with certain cycles.

EXTRA RINSE

This option can be used to automatically add a second rinse to most cycles.

DRAIN & SPIN

This option spins the load and drains any water in the tub. The load is not rinsed.

RINSE & SPIN

Touch the DRAIN & SPIN button, then touch the EXTRA RINSE button. This option combines a rinse and high spin

speed for loads requiring an additional rinse cycle or to complete a load after power interruption. Also use for loads that require rinsing only.

CLEAN WASHER

Use this every 30 washes to keep the inside of your washer fresh and clean. This cycle uses a higher water level. Use with affresh® Washer Cleaner tablet or liquid chlorine bleach to thoroughly clean the inside of your washer. This cycle should not be interrupted. See "Washer Care."

IMPORTANT: Do not place garments or other items in the washer during the Clean Washer cycle. Use this cycle with an empty washer tub.

SIGNAL

Use this to turn the signal indicating the end of a wash cycle to low, high, or off.

NOTE: You may also adjust the tones that sound when a feature, setting, or option is touched. Touch and hold SIGNAL for about 3 seconds to turn key activation sounds to low, high, or off.

DELAY START

Touch DELAY START to delay the start of the wash cycle up to 12 hours "12H." Touch DELAY START until a "OH" appears in the status display to turn off, or touch the POWER button.

DEEP WATER

Use this option to add the maximum amount of water to your wash cycle.

NOTE: Expect longer cycle times due to extended fill times when using the Deep Water option.

PRESOAK

Use this option to add an extra soak period to any cycle to help loosen tough stains. The washer will fill and pause to soak, then begin the selected cycle.

6 CYCLE MODIFIERS

When you select a cycle, its default settings or the previous cycle selection used will light up.

TEMPERATURE

Temperature Control senses and maintains uniform water temperatures by regulating incoming hot and cold water.

Select a wash temperature based on the type of fabric and soils being washed. For best results and following the garment label instructions, use the warmest wash water safe for your fabric.

- On some models and cycles, warm and hot water will be cooler than what your previous washer provided.
- Even for cold wash settings, some warm water may be added to the washer to maintain a minimum temperature.

SOIL LEVEL

Soil Level (wash time) is preset for each wash cycle. As you touch Soil Level, the cycle time (minutes) will increase or decrease in the Estimated Time Remaining display and a different wash time will appear.


Select the most suitable setting for your load. For heavily soiled items, select Heavy Soil Level for more wash time. For lightly soiled items, select Light Soil Level for less wash time. Lighter soil level setting will help reduce tangling and wrinkling.

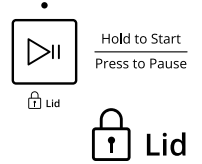
SPIN SPEED

This washer automatically selects the spin speed based on the cycle selected. The preset speeds can be changed. Not all spin speeds are available with all cycles.

- Faster spin speeds mean shorter dry times, but may increase wrinkling in your load.
- Slower spin speeds mean less wrinkling, but will leave your load more damp.

7 LID

The Lid Lock ( Lid) indicator lights up when the lid is locked and cannot be opened. If you need to open the lid, touch and hold the START/PAUSE button. The lid will unlock once the washer movement has stopped. This may take several minutes if the load was spinning at high speed. Touch and hold the START/PAUSE button again to restart the cycle.



Dispensers and faucet

A High Efficiency "HE" detergent dispenser

Add liquid or powdered HE detergent product to this dispenser for your main wash cycle. Remove tray if using powder detergent.

IMPORTANT: Make sure tray is in drawer when using liquid detergent and removed when using powder detergent. Do not go over the Max line.



Use only High Efficiency (HE) detergent.

NOTE: Follow the manufacturer's instructions to determine the amount of detergent to use.

B Liquid fabric softener dispenser

Pour measured liquid fabric softener into the liquid fabric softener dispenser, if desired. It will dispense automatically at the optimum time.

- Use only liquid fabric softener in this dispenser.

C Liquid chlorine bleach dispenser

This dispenser holds up to 3/4 cup (180 mL) liquid chlorine bleach. The bleach will be automatically diluted and dispensed at the optimum time during the wash cycle. This dispenser cannot dilute powdered bleach.

NOTE: Fill dispenser with only liquid bleach.

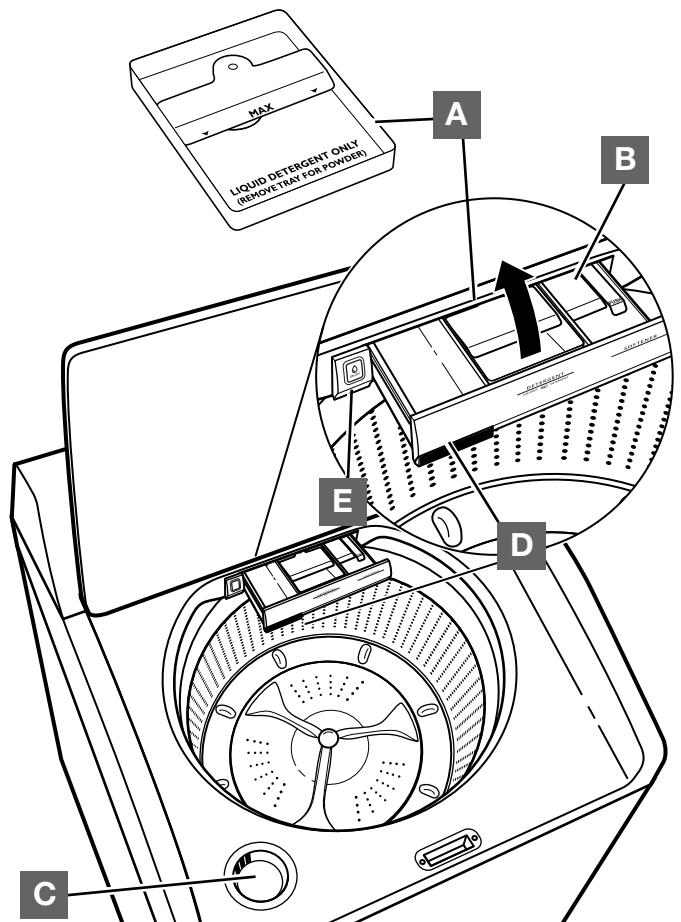
D Water faucet

The water faucet dispenses fresh water that can be used for pretreating clothes, rinsing your detergent cup, or filling your washer tub.

E Faucet button

Press once to toggle on and press again to toggle off. You do not need to hold the button.

NOTE: If accidentally left on for more than 10 minutes, the faucet will automatically shut off.



Cycle Guide

Your Whirlpool® washer has a unique user interface to help you select the best cycle you need for your load. The “What to Wash” “How to Wash” layout guides you to the optimal cycle in two easy steps:

First determine what items are in the load that you are trying to wash. Use that to guide your “What to Wash” selection. Then determine how you want the washer to wash them and select the appropriate “How to Wash” selection. See chart below for more details.

For best fabric care, choose the cycle that best fits the load being washed.

P – Preferred Cycle Selection

R – Recommended Alternate

A – Available but not optimal

		How do you want to wash?				
		“How to Wash” Cycle Selection				
		Normal	Quick	Delicate	Heavy Duty	ColorLast
		• Regular Wash	• Saves Time	• Gentle Cleaning • Protects My Fabrics	• Powerful Soil Removal	• Gentle Cleaning • Protects My Colors
What do you want to wash?	“What to Wash” Cycle Selection					
Cottons/Linens	Colors	P	A	A	A	A
Bright Colors		R	R	R	R	P
Handwash Fabrics		R	R	P	A	R
Bras		R	R	P	A	R
Lingerie		R	R	P	A	R
Baby Clothes		R	R	R	P	R
Machine Wash Silks		R	R	P	A	R
Wool		R	R	P	R	R
Dark Colors	Darks	P	R	A	R	R
Athletic/High Performance Wear		R	R	A	P	A
T-Shirts		P	R	R	R	R
Sweatshirts		P	R	R	R	R
Jeans		P	R	R	R	R
Pajamas		P	R	R	R	R
Business Casual		R	R	R	R	P
Dress Shirts/Pants		R	R	R	A	P
No-Iron Fabrics		R	R	R	R	P
Dark Sheets		P	R	A	R	R
White Clothing	Whites	P	R	R	R	NA
White Shirts		P	R	R	R	
White T-Shirts		P	R	R	R	
Socks		R	R	R	P	
Undergarments		R	R	R	P	
Handkerchiefs		R	R	P	R	
Napkins		R	R	P	R	
White Sheets		P	R	A	R	
Tablecloths		P	R	R	R	
Towels	Towels	P	R	R	R	R
Terry Cloth		P	R	R	R	R
Hand Towels		P	R	R	R	R
Wash Cloths		P	R	R	R	R
Bath Towels		P	R	R	R	R
Blankets	Bedding/Bulky	P	A	R	R	R
Coats & Jackets		P	A	R	R	R
Comforters		P	A	R	R	R
Machine Wash Curtains		R	R	P	A	R
Machine Wash Slip Covers		P	R	R	A	R
Non-Rubber Lined Rugs & Mats		P	A	R	R	R
Sleeping Bags		P	A	R	A	R

Using Your Washer

Using Your Washer's Faucet Before Washing

⚠ WARNING



Fire Hazard

Never place items in the washer that are dampened with gasoline or other flammable fluids.

No washer can completely remove oil.

Do not dry anything that has ever had any type of oil on it (including cooking oils).

Doing so can result in death, explosion, or fire.

⚠ WARNING



Electrical Shock Hazard

Plug into a grounded 3 prong outlet.

Do not remove ground prong.

Do not use an adapter.

Do not use an extension cord.

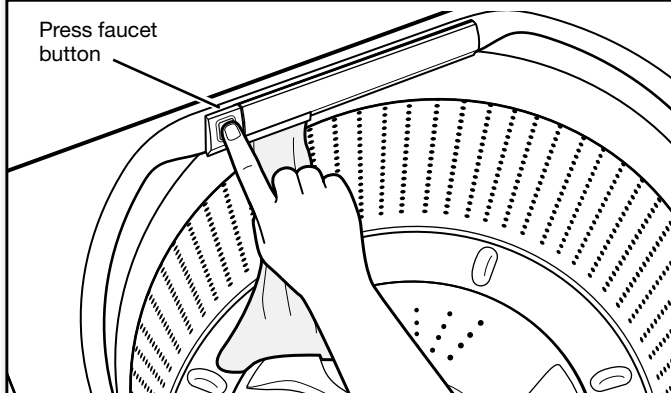
Failure to follow these instructions can result in death, fire, or electrical shock.



Rinsing Before Running a Wash Cycle

IMPORTANT: Before rinsing, make sure to sort, prepare, and load laundry as discussed in "Running a Wash Cycle."

1. Turn on faucet



- Press the faucet button once. You do not need to hold the button.
- Turn off the faucet by pressing the button again.
- If accidentally left on, the faucet will automatically shut off.
- Water from the tub will automatically drain if the level becomes too high. The water will also drain after 10 minutes if the lid is left open.

2. Drain water manually, if desired

Drain & Spin



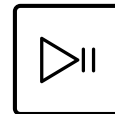
- If you choose to drain water in the tub: with the washer turned on, select DRAIN & SPIN and touch and hold the START/PAUSE button.
- Water in the tub will always be drained before you start a wash cycle.

3. Rinse and drain water, if desired

Extra Rinse

Drain & Spin

└ Rinse & Spin ┘

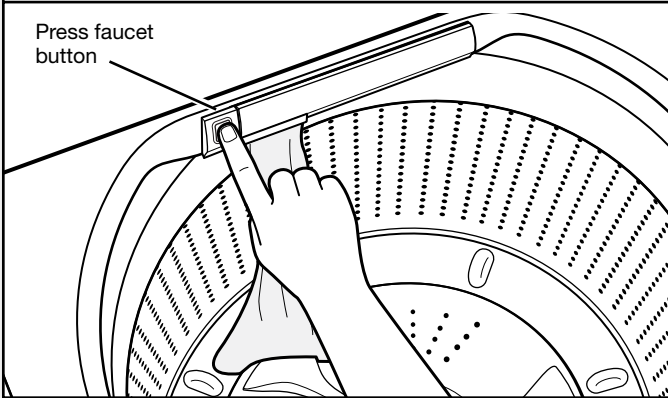


- If you choose to rinse the laundry and then drain: with the washer turned on, select RINSE & SPIN and touch and hold the START/PAUSE button.
- Water in the tub will always be drained before you start a wash cycle.



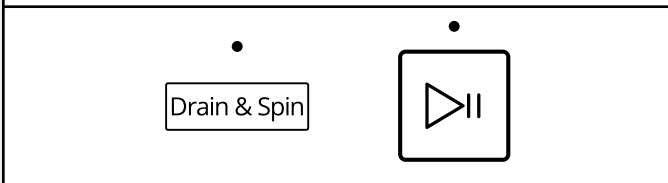
Presoaking Without Running a Wash Cycle

1. Turn on faucet



- Press the faucet button once. You do not need to hold the button.
TIP: You may want to add any detergent, color-safe bleach, or oxi-type boosters while the faucet is running to mix it with the water. (See Step 2 in the next column.)
- Turn off the faucet by pressing the button again.
If accidentally left on, the faucet will automatically shut off.
IMPORTANT: To stop the tub from draining automatically in 10 minutes, you must close the lid. The water will remain in the tub as long as the lid is closed and you take no action. After 3 hours, the water will automatically be drained.

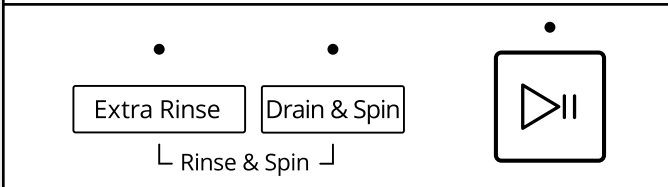
2. Drain water manually, if desired



If you choose to drain water in the tub: with the washer turned on, select DRAIN & SPIN and touch and hold the START/PAUSE button.

NOTE: If you run a wash cycle, water in the tub will always be drained before you start the cycle.

3. Rinse and drain water, if desired

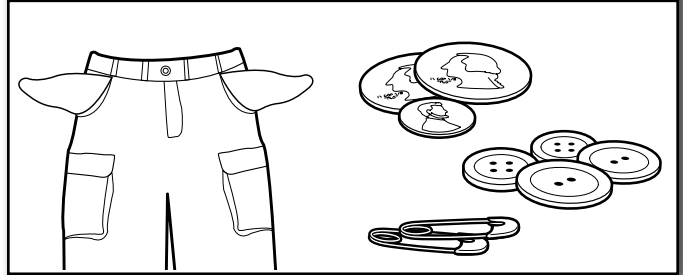


If you choose to rinse the laundry: with the washer turned on, select RINSE & SPIN and touch and hold the START/PAUSE button. The washer will drain, spin, rinse the load, and spin again.

NOTE: If you run a wash cycle, water in the tub will always be drained before you start the cycle.

Running a Wash Cycle

1. Sort and prepare your laundry



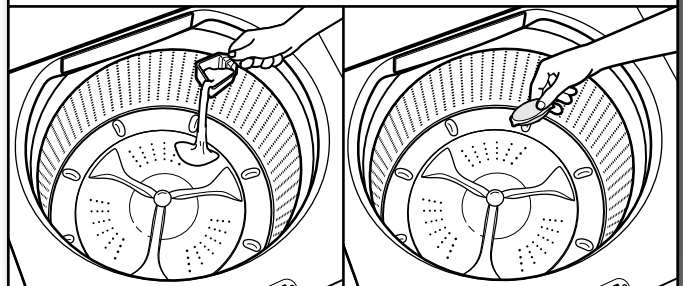
- Empty pockets. Loose change, buttons, or any small object can pass under the washplate and become trapped, causing unexpected sounds.
- Sort items by recommended cycle, water temperature, and colorfastness.
- Separate heavily soiled items from lightly soiled.
- Separate delicate items from sturdy fabrics.
- Do not dry items if stains remain after washing, as heat can set stains into fabric.
- Treat stains promptly.
- Close zippers, fasten hooks, tie strings and sashes. Remove non-washable trim and ornaments.
- Mend rips and tears to avoid further damage to items during washing.

Helpful Tips:

- For best performance, use HE liquid detergent when washing bulky items.
- When washing waterproof or water-resistant items, load evenly.
- Use mesh bags to help avoid tangling when washing delicate or small items.
- Turn knits inside out to avoid pilling. Separate lint-takers from lint-givers. Synthetics, knits, and corduroy fabrics will pick up lint from towels, rugs, and chenille fabrics.

NOTE: Always read and follow fabric care labels instructions to avoid damage to your items.

2. Add laundry products



Single-dose laundry packet, color-safe bleach, Oxi-type boosters, or fabric softener crystals can be added to the basket prior to adding laundry.

NOTE: Always follow manufacturer's instructions.

3. Load laundry into washer



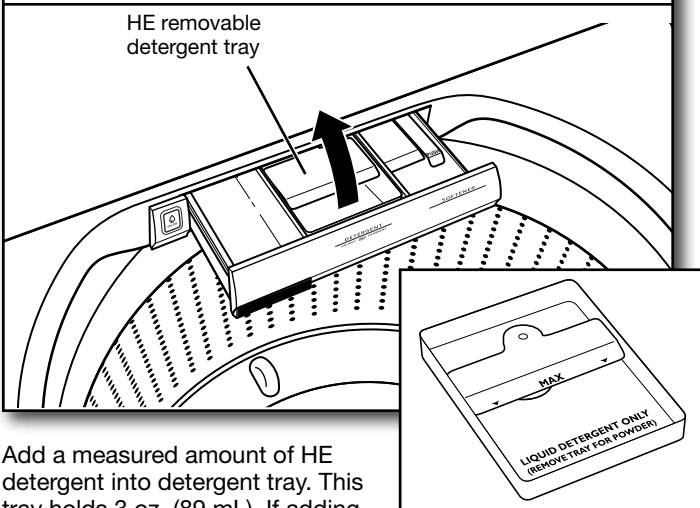
For best performance, load items in loose heaps evenly around the washplate. Try mixing different sized items to reduce tangling.

IMPORTANT: Items need to move freely for best cleaning and to reduce wrinkling and tangling.

Using Laundry Product Dispensers

NOTE: Do not add single-dose laundry packets, color-safe bleach, Oxi-type boosters, or fabric softener crystals to dispensers. They will not dispense correctly. Add to the basket prior to adding laundry.

4. Add HE detergent



Add a measured amount of HE detergent into detergent tray. This tray holds 3 oz. (89 mL). If adding powder HE detergent, remove the inside tray. Do not overfill the tray; adding too much detergent may cause detergent to be dispensed into the washer too early.

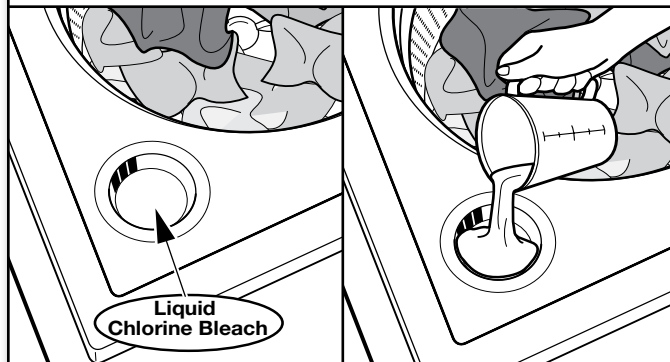
NOTE: Make sure the tray is in the drawer when using liquid detergent and removed when using powder detergent. Do not go over the Max line.

IMPORTANT: Use only High Efficiency detergents. The package will be marked "HE" or "High Efficiency." Low-water washing creates excessive sudsing with a non-HE detergent. Using non-HE detergent will likely result in longer cycle times and reduced rinsing performance. It may also result in component malfunction and, over time, buildup of mold or mildew. HE detergents should be low-sudsing and quick-dispersing to

produce the right amount of suds for the best performance. They should hold soil in suspension so it is not redeposited onto clean clothes. Not all detergents labeled as High Efficiency are identical in formulation and their ability to reduce suds. For example, natural, organic, or homemade HE detergents may generate a high level of suds. If you use one of these and see an "FOE2" error code appear in the display, consider using a different HE detergent. Always follow the detergent manufacturer's instructions to determine the amount of detergent to use. Do not go over the Max line on the dispenser.

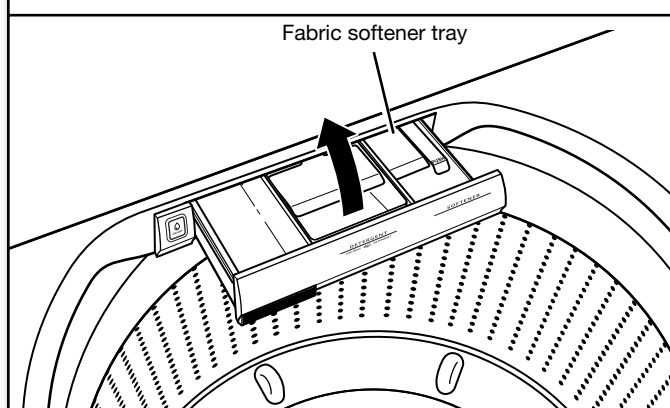
HELPFUL TIP: See "Washer Maintenance" for information on recommended method of cleaning washer dispenser trays.

5. Add liquid chlorine bleach to dispenser



Do not overfill, dilute, or use more than 1 cup (236 mL). Do not use color-safe bleach or Oxi products in the same cycle with liquid chlorine bleach.

6. Add liquid fabric softener



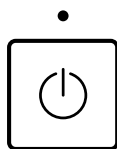
Pour a measured amount of liquid fabric softener into tray; always follow manufacturer's directions for correct amount of fabric softener based on your load size. Close dispenser drawer. Fabric Softener is added during rinse.

IMPORTANT: Do not overfill or dilute. Overfilling the dispenser will cause fabric softener to immediately dispense into the washer.

If Extra Rinse option is selected, fabric softener will be dispensed into the last rinse.

It is normal for a small amount of water to remain in the dispenser at the end of a cycle.

7. Touch POWER button to turn on washer



Make sure the dispenser drawer is closed completely, then touch the POWER button to turn on the washer.

8. Select type of load to wash

WHAT TO WASH

• COLORS • DARKS • WHITES • TOWELS • BEDDING/BULKY

HOW TO WASH

• NORMAL • QUICK • DELICATE • HEAVY DUTY • COLORLAST

Add Garment



First touch a cycle from the “What to Wash,” and then select the “How to Wash” to get the best combination cycle available for the type of items you are going to wash. See “Cycle Guide” for cycle details. Not all cycles are available on all models.

Estimated Time Remaining will light up with a cycle time. You may notice time adjusting during the cycle. This is normal.

If you do not want to begin a cycle immediately, you may choose the Delay Start option.

To choose a delay time:

1. Touch the DELAY START button to select desired delay time. Time will increase in hour increments up to 12 hours.
2. Touch and hold the START/PAUSE button to start delay start time.

IMPORTANT: When delaying a cycle, use liquid HE detergent only in the dispenser. Powdered detergents may absorb moisture from a previous cycle and clump before the wash cycle begins.

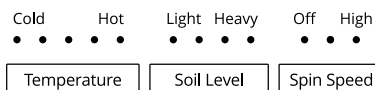
To cancel delay start:

1. Touch the POWER button to cancel Delay Start.

To pause delay start:

1. Touch the START/PAUSE button to pause delay start.
2. Touch and hold the START/PAUSE button again to start the delay start time. If the delay start time is not started after 10 minutes, the washer will power off.

9. Select cycle modifiers

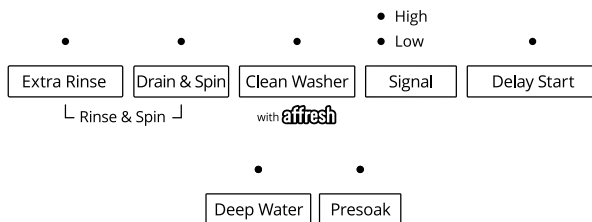


Once you select a cycle, the default modifiers or the previously set modifiers for that cycle will be lit. Touch the cycle settings buttons to change the Soil Level, Spin Speed, and Temperature, if desired. Not all settings are available with all cycles.

NOTE: Always read and follow fabric care labels instructions to avoid damage to your items.

Temperature	Suggested Fabrics
Hot Some cold water is added to save energy. This will be cooler than your hot water heater setting.	Whites and pastels Durable items Heavy soils
Warm Some cold water will be added, so this may be cooler than what your previous washer provided.	Bright colors Moderate to light soils
Cool Warm water is added to assist in soil removal and to help dissolve detergents.	Colors that bleed or fade Light soils
Cold Warm water may be added to assist in soil removal and to help dissolve detergents.	Dark colors that bleed or fade Light soils

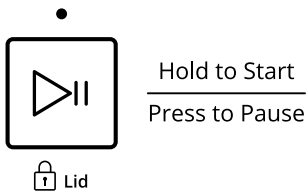
10. Select cycle options



Select any other cycle options you may wish to add, if not previously set. Some cycles will automatically add certain options such as Extra Rinse. These may be turned off if desired.

NOTE: Not all options are available with all cycles. Touch the control panel to select any other options.

11. Touch and hold START/PAUSE button to begin wash cycle



Touch and hold the START/PAUSE button to start the wash cycle. When the cycle has finished, the end-of-cycle signal will sound (if set). Promptly remove items when cycle is done to avoid odor, reduce wrinkling, and reduce rusting of metal hooks, zippers, and snaps.

Unlocking the lid to add items

If you need to open the lid to add one or two missed items: Touch the START/PAUSE button to pause the washer; the lid will unlock once the washer movement has stopped. This may take several minutes if the load was spinning at a high speed. Then close lid and touch and hold the START/PAUSE button again to restart the cycle.

IMPORTANT: If the lid is left open for more than 10 minutes, the water will pump out and the F8E6 error code will appear on the display.

Washer Maintenance

WATER INLET HOSES

Replace inlet hoses after 5 years of use to reduce the risk of hose failure. Periodically inspect and replace inlet hoses if bulges, kinks, cuts, wear, or leaks are found.

When replacing your inlet hoses, mark the date of replacement on the label with a permanent marker.

NOTE: This washer does not include inlet hoses. See the Installation Instructions for more information.

WASHER CARE

Recommendations to Help Keep Your Washer Clean and Performing at Its Best

1. Always use High Efficiency (HE) detergents and follow the HE detergent manufacturer's instructions regarding the amount of HE detergent to use. Never use more than the recommended amount because that may increase the rate at which detergent and soil residue accumulate inside your washer, which may result in undesirable odor.
2. Use warm and hot wash water settings sometimes (not exclusively cold water washes), because they do a better job of controlling the rate at which soils and detergent accumulate.
3. Always leave the washer lid open between uses to help dry out the washer and prevent the buildup of odor-causing residue.

Cleaning Your Top-Loading Washer

Read these instructions completely before beginning the routine cleaning processes recommended below. This Washer Maintenance Procedure should be performed, at a minimum, once per month or every 30 wash cycles, whichever occurs sooner, to control the rate at which soils and detergent may otherwise accumulate in your washer.

Cleaning the Inside of the Washer

To keep your washer odor-free, follow the usage instructions provided above, and use this recommended monthly cleaning procedure:

Clean Washer Cycle

This washer has a special cycle that uses higher water volumes in combination with affresh® Washer Cleaner or liquid chlorine bleach to clean the inside of the washer.

Begin procedure

1. **affresh® Washer Cleaner Cycle Procedure (Recommended for Best Performance):**
 - a. Open the washer lid and remove any clothing or items.
 - b. Place an affresh® Washer Cleaner tablet in the bottom of the washer basket.
 - c. Do not place an affresh® Washer Cleaner tablet in the detergent dispenser.
 - d. Do not add any detergent or other chemical to the washer when following this procedure.
 - e. Close the washer lid.
 - f. Select the Clean Washer cycle.
 - g. Touch and hold the START/PAUSE button to begin the cycle. The Clean Washer Cycle Operation is described in the next column.

NOTE: For best results, do not interrupt cycle. If cycle must be interrupted, touch the POWER button. After the Clean Washer cycle has stopped, run a Rinse & Spin cycle to rinse cleaner from washer.

WASHER CARE (cont.)

2. Chlorine Bleach Procedure (Alternative):

- a. Open the washer lid and remove any clothing or items.
 - b. Add 1 cup (236 mL) of liquid chlorine bleach to the bleach compartment.
- NOTE:** Use of more liquid chlorine bleach than is recommended above could cause washer damage over time.
- c. Close the washer lid.
 - d. Do not add any detergent or other chemical to the washer when following this procedure.
 - e. Select the Clean Washer cycle.
 - f. Touch and hold the START/PAUSE button to begin the cycle. The Clean Washer Cycle Operation is described below.

NOTE: For best results, do not interrupt cycle. If cycle must be interrupted, touch the POWER button. After the Clean Washer cycle has stopped, run a Rinse & Spin cycle to rinse cleaner from washer.

Description of Clean Washer Cycle Operation:

1. This cycle will fill to a water level higher than in normal wash cycles to provide rinsing at a level above the water line for normal wash cycle.
2. During this cycle, there will be some agitation and spinning to increase the removal of soils.

After this cycle is complete, leave the lid open to allow for better ventilation and drying of the washer interior.

Cleaning the Outside of the Washer

Use a soft, damp cloth or sponge to wipe away any spills. Use only mild soaps or cleaners when cleaning external washer surfaces.

IMPORTANT: To avoid damaging the washer's finish, do not use abrasive products.

NON-USE AND VACATION CARE

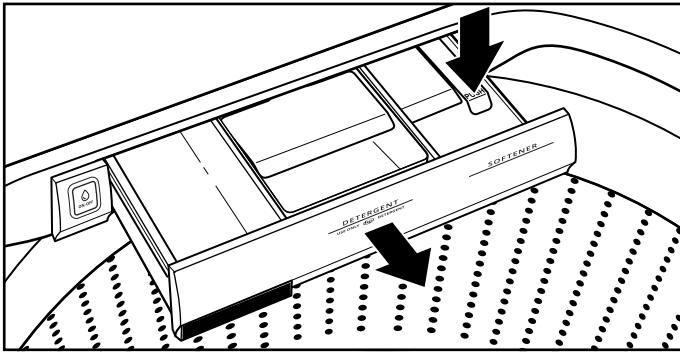
Operate your washer only when you are home. If you are moving or not using your washer for a period of time, follow these steps:

1. Unplug or disconnect power to washer.
2. Turn off water supply to washer to avoid flooding due to water pressure surge.

CLEANING YOUR DISPENSER

You may find laundry product residue leftover in your dispenser drawer. To remove residue, follow this recommended cleaning procedure:

1. Pull drawer out until you feel resistance.
2. Push one tab downward, then continue pulling out.
3. Wash in warm, soapy water, using a mild detergent.
4. Rinse with warm water.
5. Air dry or dry with a towel, then place back into slot.



IMPORTANT: Dispenser drawer and tray are not dishwasher-safe.

WINTER STORAGE CARE

IMPORTANT: To avoid damage, install and store washer where it will not freeze. Because some water may stay in hoses, freezing can damage washer. If storing or moving during freezing weather, winterize your washer.

To winterize washer:

1. Shut off both water faucets; disconnect and drain water inlet hoses.
2. Put 1 qt. (1 L) of R.V.-type antifreeze in the basket and run the washer on the Rinse & Spin cycle for about 30 seconds to mix antifreeze and remaining water.
3. Unplug washer or disconnect power.

TRANSPORTING YOUR WASHER

1. Shut off both water faucets. Disconnect and drain water inlet hoses.
2. If washer will be moved during freezing weather, follow "Winter Storage Care" directions before moving.
3. Disconnect drain from drain system.
4. Unplug power cord.
5. Place inlet hoses inside washer basket.
6. Drape power cord and drain hose over the console and secure with masking tape.
7. Place foam packing ring from original shipping materials back inside washer. If you do not have packing ring, place heavy blankets or towels into basket opening. Close lid and place tape over lid and down front of washer. Keep lid taped until washer is placed in new location. Transport washer in the upright position.

⚠ WARNING



Electrical Shock Hazard

Plug into a grounded 3 prong outlet.

Do not remove ground prong.

Do not use an adapter.

Do not use an extension cord.

Failure to follow these instructions can result in death, fire, or electrical shock.

REINSTALLING/USING WASHER AGAIN

To reinstall washer after non-use, vacation, winter storage, or moving:

1. Refer to Installation Instructions to locate, level, and connect washer.
2. Before using again, run washer through the following recommended procedure:

To use washer again:

1. Flush water pipes and hoses. Reconnect water inlet hoses. Turn on both water faucets.
2. Plug in washer or reconnect power.
3. Run washer through Bedding/Bulky and Heavy Duty cycle to clean washer and remove antifreeze, if used. Use only HE High Efficiency detergent. Use half the manufacturer's recommended amount for a medium-size load.

Troubleshooting

First try the solutions suggested here or visit our website at www.whirlpool.com/product_help –
In Canada www.whirlpool.ca for assistance and to possibly avoid a service call.

If you experience	Possible Causes	Solution
Vibration or Off-Balance		
Vibration, rocking, or “walking”	Feet may not be in contact with the floor and locked.	Front and rear feet must be in firm contact with floor, and washer must be level to operate properly.
	Washer may not be level.	Check floor for flexing or sagging. If flooring is uneven, a 3/4" (19 mm) piece of plywood under your washer will reduce sound. See “Level the Washer” in the Installation Instructions.
Vibration during spinning or washer stopped	Load could be unbalanced.	Load items in loose heaps evenly around the washplate. Adding wet items to washer or adding more water to basket could unbalance washer.
		Avoid washing single items. Balance a single item such as a rug or jean jacket with a few extra items. If the dial is flashing, redistribute the load, close the lid, and touch and hold the START/PAUSE button.
		Use Bedding/Bulky and Heavy Duty cycle for oversized, non-absorbent items such as comforters or poly-filled jackets. Other items are not appropriate for Bedding/Bulky Heavy Duty cycle. See “Cycle Guide.”
		Item or load not suitable for selected cycle. See “Cycle Guide” and “Using Your Washer.”
Noises – For normal operating sounds, go to www.whirlpool.com/product_help .		
Clicking or metallic noises	Objects may be caught in washer drain system.	Empty pockets before washing. Loose items such as coins could fall between basket and tub or may block pump. It may be necessary to call for service to remove items.
		It is normal to hear metal items on clothing such as metal snaps, buckles, or zippers touch against the stainless steel basket.
Gurgling or humming	Washer may be draining water.	It is normal to hear the pump making a continuous humming sound with periodic gurgling or surging as final amounts of water are removed during the spin/drain cycles.
Humming	Load sensing may be occurring.	You may hear the hum of the sensing spins after you have started the washer. This is normal.
Whirring	Basket may be slowing down.	You may hear the whirring sound of the basket slowing down. This is normal.
Water Leaks		
Check the following for proper installation:	Washer not level.	Water may splash off basket if washer is not level.
	Fill hoses not attached tightly.	Tighten fill-hose connection.
	Fill hose washers	Make sure all four fill hose flat washers are properly seated.
	Drain hose connection	Pull drain hose from washer cabinet and properly secure it to drainpipe or laundry tub.
		Do not place tape over drain opening.
	Check household plumbing for leaks or clogged sink or drain.	Water can back up out of a clogged sink or drainpipe. Check all household plumbing for leaks (laundry tubs, drain pipe, water pipes, and faucets.)
Washer not loaded as recommended.	An unbalanced load can cause basket to be out of alignment and cause water to splash off tub. See “Using Your Washer” for loading instructions.	
Washer not performing as expected		
Not enough water in washer	Load not completely covered in water.	This is normal operation for an HE low-water washer. The load will not be completely underwater. The washer senses load sizes and adds correct amount of water for optimal cleaning. See “What’s New under the Lid.” IMPORTANT: Do not add more water to washer. Adding water lifts the items off the washplate, resulting in less effective cleaning.
		Run clean washer cycle to optimize the water level and wash performance.

Troubleshooting

First try the solutions suggested here or visit our website at www.whirlpool.com/product_help –
In Canada www.whirlpool.ca for assistance and to possibly avoid a service call.

If you experience	Possible Causes	Solution
Washer not performing as expected (cont.)		
Washer won't run or fill; washer stops working	Check for proper water supply.	Both hoses must be attached and have water flowing to inlet valve.
		Both hot and cold water faucets must be turned on.
		Check that inlet valve screens have not become clogged.
		Check for any kinks in inlet hoses, which can restrict water flow.

⚠ WARNING



Electrical Shock Hazard

Plug into a grounded 3 prong outlet.

Do not remove ground prong.

Do not use an adapter.

Do not use an extension cord.

Failure to follow these instructions can result in death, fire, or electrical shock.

Washer won't run or fill; washer stops working (cont.)	Check proper electrical supply.	Plug power cord into a grounded 3 prong outlet.
		Do not use an extension cord.
		Ensure there is power to outlet.
		Reset a tripped circuit breaker. Replace any blown fuses. NOTE: If problems continue, contact an electrician.
	Normal washer operation.	Lid must be closed for washer to run.
		Washer will pause during certain phases of cycle. Do not interrupt cycle.
		Washer may be stopped to reduce suds.
	Washer may be tightly packed.	Remove several items, rearrange load evenly around the washplate. Close lid, touch and hold the START/PAUSE button.
		Add only one or two additional items after washer has started.
		Do not add more water to the washer.
	Not using HE detergent or using too much HE detergent.	Only use HE detergent. Suds from regular detergents can slow or stop the washer. Always measure detergent and following detergent directions based on your load requirements.
		To remove suds, cancel cycle. Select RINSE & SPIN. Select your cycle. Touch and hold the START/PAUSE button. Do not add more detergent.
Washer not draining/ spinning; loads are still wet	Small items may have been caught in pump or between basket and tub, which can slow draining.	Empty pockets and use garment bags for small items.
	Using cycles with a lower spin speed.	Cycles with lower spin speeds remove less water than cycles with high spin speeds. Use the recommended cycle/speed spin for your item.
	Washer may be tightly packed or unbalanced.	Tightly packed loads may not allow the washer to spin correctly, leaving the load wetter than normal. Evenly arrange the wet load for balanced spinning. Select RINSE & SPIN to remove excess water. See "Using Your Washer" for loading recommendations.

Troubleshooting

First try the solutions suggested here or visit our website at www.whirlpool.com/product_help –
In Canada www.whirlpool.ca for assistance and to possibly avoid a service call.

If you experience	Possible Causes	Solution
Washer not performing as expected (cont.)		
Washer not draining/spinning; loads are still wet (cont.)	Load off balanced.	See “Vibration or Off-Balance” in the “Troubleshooting” section for more information.
	Check plumbing for correct drain hose installation. Drain hose extends into standpipe farther than 4.5" (114 mm).	Check drain hose for proper installation. Use drain hose form and securely attach to drainpipe or tub. Do not tape over drain opening. Lower drain hose if the end is higher than 96" (2.4 m) above the floor. Remove any clogs from drain hose.
	Not using HE detergent or using too much HE detergent.	Suds from regular detergent or using too much detergent can slow or stop draining or spinning. Use only HE detergent. Always measure and follow detergent directions for your load. To remove extra suds, select RINSE & SPIN. Do not add detergent.
Incorrect or wrong wash or rinse temperatures	Check for proper water supply.	Make sure hot and cold inlet hoses are not reversed.
		Both hoses must be attached to both washer and faucet, and have both hot and cold water flowing to inlet valve.
		Check that inlet valve screens are not clogged.
	Remove any kinks in hoses.	
Energy-saving controlled wash temperatures.	ENERGY STAR® qualified washers use cooler wash and rinse water temperatures than traditional top-loading washers. This includes cooler hot and warm washes.	
Load not rinsed	Check for proper water supply.	Make sure hot and cold inlet hoses are not reversed.
		Both hoses must be attached and have water flowing to the inlet valve.
		Both hot and cold water faucets must be on.
		Inlet valve screens on the washer may be clogged.
		Remove any kinks in the inlet hose.
	Not using HE detergent or using too much HE detergent.	The suds from regular detergent can cause the washer to operate incorrectly.
		Use only HE detergent. Be sure to measure correctly.
		Always measure detergent and follow detergent directions based on load size and soil level.
	Washer may be tightly packed.	The washer is less efficient at rinsing when load is tightly packed.
		Load items in loose heaps evenly around the washplate.
Use cycle designed for the fabrics being washed.		
Add only one or two additional items after the washer has started.		
Sand, pet hair, lint, etc. on load after washing	Heavy sand, pet hair, lint, and detergent or bleach residues may require additional rinsing.	Add an Extra Rinse to the selected cycle.
Load is tangling	Washer not loaded as recommended.	Load items in loose heaps evenly around the washplate.
		Reduce tangling by mixing types of load items. Use the recommended cycle for the type of items being washed.
Wash action and/or spin speed too fast for load.	Select a cycle with a slower wash action and slower spin speed. Note that items will be wetter than when using a higher speed spin.	
Not cleaning or removing stains	Wash load not completely covered in water.	Washer senses load size and adds correct amount of water. This is normal and necessary for clothes to move.
	Added more water to washer.	Do not add more water to washer. Adding water lifts the items off the washplate, resulting in less effective cleaning.
	Washer not loaded as recommended.	Load items in loose heaps evenly around the washplate.
Add only one or two additional items after the washer has started.		

Troubleshooting

First try the solutions suggested here or visit our website at www.whirlpool.com/product_help –
In Canada www.whirlpool.ca for assistance and to possibly avoid a service call.

If you experience	Possible Causes	Solution
Washer not performing as expected (cont.)		
Not cleaning or removing stains (cont.)	Not using HE detergent or using too much HE detergent.	The suds from regular detergent can keep washer from operating correctly.
		Use only HE detergent. Be sure to measure correctly.
		Always measure detergent and follow detergent directions based on load size and soil level.
	Not using correct cycle for fabric type.	Use a higher soil level cycle option and warmer wash temperature to improve cleaning.
		If using Quick cycle, wash only a few items.
		Use Whites/Normal cycle for tough cleaning.
		See the “Cycle Guide” to match your load with the best cycle.
	Not using dispensers.	Use dispensers to avoid chlorine bleach and fabric softener staining.
		Load dispensers before starting a cycle.
		Avoid overfilling.
		Do not add products directly onto the load.
	Not washing like colors together.	Wash like colors together and remove promptly after the cycle is complete to avoid dye transfer.
Odors	Monthly maintenance not done as recommended.	Run the Clean Washer cycle after every 30 washes. See “Washer Care” in “Washer Maintenance.”
		Unload washer as soon as cycle is complete.
	Not using HE detergent or using too much HE detergent.	Use only HE detergent. Be sure to measure correctly.
		Always follow the detergent directions.
		See “Washer Care” section.
Fabric Damage	Sharp items were in pockets during wash cycle.	Empty pockets, zip zippers, and snap or hook fasteners before washing to avoid snags and tears.
	Strings and straps could have tangled.	Tie all strings and straps before starting wash load.
	Items may have been damaged before washing.	Mend rips and broken threads in seams before washing.
	Fabric damage can occur if the load is tightly packed.	Load items in loose heaps evenly around washplate.
		Load items should move freely during the wash to avoid damage.
		Use the cycle designed for the fabrics being washed.
		Add only one or two additional items after the washer has started.
	Garment care instructions may not have been followed.	Always read and follow garment manufacturer’s care label instructions. See the “Cycle Guide” to match your load with the best cycle.
	Liquid chlorine bleach may have been added incorrectly.	Do not pour liquid chlorine bleach directly onto load. Wipe up bleach spills.
		Undiluted bleach will damage fabrics. Do not use more than recommended by manufacturer.
		Do not place load items on top of bleach dispenser when loading and unloading washer.

Troubleshooting

First try the solutions suggested here or visit our website at www.whirlpool.com/product_help –
In Canada www.whirlpool.ca for assistance and to possibly avoid a service call.

If you experience	Possible Causes	Solution
Washer not performing as expected (cont.)		
Incorrect dispenser operation	Clogged dispensers or laundry products dispensing too soon.	Do not overfill dispenser. Overfilling causes immediate dispensing.
		Load dispensers before starting a cycle.
		It is normal for small amounts of water to remain in dispenser at the end of the cycle.
		Fabric softener thickens as it gets older. If there becomes an increase of fabric softener in the dispenser after a cycle, then check the age of the fabric softener and replace if needed.
		Homes with low water pressure may result in residual powder in the dispenser. To avoid, select a warmer wash temperature if possible, depending on your load.
	Liquid chlorine bleach not used in dispenser.	Use only liquid chlorine bleach in the bleach dispenser.
Powdered detergent not dissolving completely in load	Using too much HE detergent.	Follow the manufacturer's instructions to determine the amount of detergent to use.
	Water temperature is very cold.	Select a warmer wash temperature.
		Try adding the detergent to the basket prior to adding laundry, rather than using the detergent dispenser.
Single-dose laundry packet not dissolving	Adding laundry packet incorrectly.	Be sure laundry packet is added to washer basket before adding clothes. Follow the manufacturer's instructions to avoid damage to your items.
Error Code Appears in Display		
F#E# code (F-type error code) appears in display	System error code.	Touch the POWER button to clear the code and exit cycle. Then touch the POWER button, select cycle, and touch and hold the START/PAUSE button to start washer. If code appears again, call for service.
F8E1 or LF (too long to fill) appears in display	Washer taking too long to fill. Drain extends more than 4.5" (114 mm) into standpipe.	Check plumbing for correct drain hose installation. Use drain hose form and attach securely to drainpipe or tub. Do not tape over drain opening. See Installation Instructions.
		Make sure water supply line is turned on.
F9E1, drn, dr (drain pump system problem – long drain) appears in display	Washer taking too long to drain water. Drain extends more than 4.5" (114 mm) into standpipe.	Check plumbing for correct drain hose installation. Use drain hose form and attach securely to drainpipe or tub. Do not tape over drain opening.
		Lower drain hose if the end is higher than 96" (2.4 m) above the floor. Remove any clogs from drain hose. See Installation Instructions.
F8E6 (Lid opened) appears in display	Washer lid left open.	Close the lid and touch the POWER button to clear the display. If the lid is left open for more than 10 minutes, the cycle will reset and water in the washer will drain.
F1E1 ACU (Appliance control fault)	Internal ACU failure.	Call for service.
F2E3 UI/ACU mismatch	Wrong ACU or UI has been installed.	Call for service.
F3E1 Water level sensing failure	Pressure sensor on ACU failure.	Call for service.
F5E2 Lid lock will not lock or lid lock failure	An item in the load may be keeping the lid from locking.	Check for items directly under the lid.
F5E3 Lid cannot unlock	Objects on washer lid keep it from unlocking.	Remove objects, such as baskets of laundry, from top of washer.
F6E2 or F6E3 Communication Error: UI cannot communicate	ACU or UI synchronization error.	Remove power from the washer. Let washer sit for 5 minutes for the washer to completely power down. Apply power to washer and check for error codes. If the error code persists call for service.
"Ofb" (Off Balance)	Load not balanced or evenly distributed around the basket.	Cycle is paused as indicated by the flashing Start/Pause indicator. Open the lid, redistribute the load, and close the lid. Touch and hold the START/PAUSE button to resume.

WHIRLPOOL® LAUNDRY LIMITED WARRANTY

ATTACH YOUR RECEIPT HERE. PROOF OF PURCHASE IS REQUIRED TO OBTAIN WARRANTY SERVICE. Please have the following information available when you call the Customer eXperience Center:

- Name, address, and telephone number
- Model number and serial number
- A clear, detailed description of the problem
- Proof of purchase including dealer or retailer name and address

IF YOU NEED SERVICE:

1. Before contacting us to arrange service, please determine whether your product requires repair. Some questions can be addressed without service. Please take a few minutes to review the Troubleshooting or Problem Solver section of the Use and Care Guide, scan the QR code on the right to access additional resources, or visit https://www.whirlpool.com/product_help.
2. All warranty service is provided exclusively by our authorized Whirlpool Service Providers. In the U.S. and Canada, direct all requests for warranty service to:



https://www.whirlpool.com/product_help

Whirlpool Customer eXperience Center

In the U.S.A. call 1-800-253-1301. In Canada call 1-800-807-6777.

If outside the 50 United States and Canada, contact your authorized Whirlpool dealer to determine if another warranty applies.

ONE YEAR LIMITED WARRANTY

WHAT IS COVERED

For one year from the date of purchase, when this major appliance is installed, operated, and maintained according to instructions attached to or furnished with the product, Whirlpool Corporation or Whirlpool Canada LP (hereafter "Whirlpool") will pay for Factory Specified Replacement Parts and repair labor to correct defects in materials or workmanship that existed when this major appliance was purchased, or at its sole discretion replace the product. In the event of product replacement, your appliance will be warranted by the remaining term of the original unit's warranty period.

YOUR SOLE AND EXCLUSIVE REMEDY UNDER THIS LIMITED WARRANTY SHALL BE PRODUCT REPAIR AS PROVIDED HEREIN. Service must be provided by a Whirlpool designated service company. This limited warranty is valid only in the United States or Canada and applies only when the major appliance is used in the country in which it was purchased. This limited warranty is effective from the date of original consumer purchase. Proof of original purchase date is required to obtain service under this limited warranty.

WHAT IS NOT COVERED

1. Commercial, non-residential, multiple-family use, or use inconsistent with published user, operator, or installation instructions.
2. In-home instruction on how to use your product.
3. Service to correct improper product maintenance or installation, installation not in accordance with electrical or plumbing codes, or correction of household electrical or plumbing (i.e. house wiring, fuses, or water inlet hoses).
4. Consumable parts (i.e. light bulbs, batteries, air or water filters, preservation solutions, etc.).
5. Defects or damage caused by the use of non-genuine Whirlpool parts or accessories.
6. Conversion of your product from natural gas or L.P. gas or reversal of appliance doors.
7. Damage from accident, misuse, abuse, fire, floods, acts of God, or use with products not approved by Whirlpool.
8. Repairs to parts or systems to correct product damage or defects caused by unauthorized service, alteration, or modification of the appliance.
9. Cosmetic damage including scratches, dents, chips, and other damage to appliance finishes unless such damage results from defects in materials and workmanship and is reported to Whirlpool within 30 days.
10. Discoloration, rust, or oxidation of surfaces resulting from caustic or corrosive environments, including but not limited to, high salt concentrations, high moisture or humidity, or exposure to chemicals.
11. Pick-up or delivery. This product is intended for in-home repair.
12. Travel or transportation expenses for service in remote locations where an authorized Whirlpool servicer is not available.
13. Removal or reinstallation of inaccessible appliances or built-in fixtures (i.e. trim, decorative panels, flooring, cabinetry, islands, countertops, drywall, etc.) that interfere with servicing, removal, or replacement of the product.
14. Service or parts for appliances with original model/serial numbers removed, altered, or not easily determined.

The cost of repair or replacement under these excluded circumstances shall be borne by the customer.

DISCLAIMER OF IMPLIED WARRANTIES

IMPLIED WARRANTIES, INCLUDING ANY IMPLIED WARRANTY OF MERCHANTABILITY OR IMPLIED WARRANTY OF FITNESS FOR A PARTICULAR PURPOSE, ARE LIMITED TO ONE YEAR OR THE SHORTEST PERIOD ALLOWED BY LAW. Some states and provinces do not allow limitations on the duration of implied warranties of merchantability or fitness, so this limitation may not apply to you. This warranty gives you specific legal rights, and you also may have other rights that vary from state to state or province to province.

DISCLAIMER OF REPRESENTATIONS OUTSIDE OF WARRANTY

Whirlpool makes no representations about the quality, durability, or need for service or repair of this major appliance other than the representations contained in this Warranty. If you want a longer or more comprehensive warranty than the limited warranty that comes with this major appliance, you should ask Whirlpool or your retailer about buying an extended warranty.

LIMITATION OF REMEDIES; EXCLUSION OF INCIDENTAL AND CONSEQUENTIAL DAMAGES

YOUR SOLE AND EXCLUSIVE REMEDY UNDER THIS LIMITED WARRANTY SHALL BE PRODUCT REPAIR AS PROVIDED HEREIN. WHIRLPOOL SHALL NOT BE LIABLE FOR INCIDENTAL OR CONSEQUENTIAL DAMAGES. Some states and provinces do not allow the exclusion or limitation of incidental or consequential damages, so these limitations and exclusions may not apply to you. This warranty gives you specific legal rights, and you also may have other rights that vary from state to state or province to province.

Sécurité de la laveuse

Votre sécurité et celle des autres est très importante.

Nous donnons de nombreux messages de sécurité importants dans ce manuel et sur votre appareil ménager. Assurez-vous de toujours lire tous les messages de sécurité et de vous y conformer.



Voici le symbole d'alerte de sécurité.

Ce symbole d'alerte de sécurité vous signale les dangers potentiels de décès et de blessures graves à vous et à d'autres.

Tous les messages de sécurité suivront le symbole d'alerte de sécurité et le mot "DANGER" ou "AVERTISSEMENT". Ces mots signifient :

! DANGER

Risque possible de décès ou de blessure grave si vous ne suivez pas immédiatement les instructions.

! AVERTISSEMENT

Risque possible de décès ou de blessure grave si vous ne suivez pas les instructions.

Tous les messages de sécurité vous diront quel est le danger potentiel et vous disent comment réduire le risque de blessure et ce qui peut se produire en cas de non-respect des instructions.

IMPORTANTES INSTRUCTIONS DE SÉCURITÉ

AVERTISSEMENT : Pour réduire les risques d'incendie, de choc électrique ou de blessures lors de l'utilisation de la laveuse, suivre les précautions fondamentales dont les suivantes :

- Lire toutes les instructions avant d'utiliser la laveuse.
- Ne pas laver des articles qui ont été nettoyés ou lavés avec de l'essence ou imbibés d'essence, solvants de nettoyage à sec, ou autres substances inflammables ou explosives; ces substances peuvent émettre des vapeurs susceptibles de s'enflammer ou d'exploser.
- Ne pas ajouter d'essence, solvant de nettoyage à sec ou autre produit inflammable ou explosif dans l'eau de lavage. Ces substances peuvent émettre des vapeurs susceptibles de s'enflammer ou d'exploser.
- Dans certaines conditions, de l'hydrogène gazeux peut se former dans un circuit d'eau chaude qui n'a pas été utilisé pendant 2 semaines ou plus. LE GAZ HYDROGÈNE EST EXPLOSIBLE. Si le circuit d'eau chaude n'a pas été utilisé pendant une telle période, avant d'utiliser la laveuse, ouvrir tous les robinets d'eau chaude et laisser l'eau s'écouler pendant plusieurs minutes par chaque robinet. Ceci permettra l'évacuation de l'hydrogène gazeux accumulé. Comme ce gaz est inflammable, ne pas fumer ou utiliser une flamme nue au cours de cette période.
- Ne pas laisser des enfants jouer sur ou à l'intérieur de la laveuse. Bien surveiller les enfants lorsque la laveuse est utilisée à proximité d'enfants.
- Avant de mettre la laveuse au rebut ou hors de service, enlever la porte ou le couvercle.
- Ne pas tenter d'atteindre un article à l'intérieur de la cuve de la laveuse lorsque le tambour, la cuve ou l'agitateur est en mouvement.
- Ne pas installer ou remiser cette laveuse à un endroit où elle serait exposée aux intempéries.
- Ne pas modifier les organes de commande.
- Ne pas réparer ou remplacer un composant quelconque de la laveuse, ni entreprendre une opération de service, si ce n'est spécifiquement recommandé dans ce manuel ou dans un manuel d'instructions de réparations destiné à l'utilisateur; il est alors essentiel que la personne concernée comprenne ces instructions et soit compétente pour les exécuter.
- Pour les instructions de liaison à la terre, voir "Spécifications électriques" dans les instructions d'installation.

CONSERVEZ CES INSTRUCTIONS

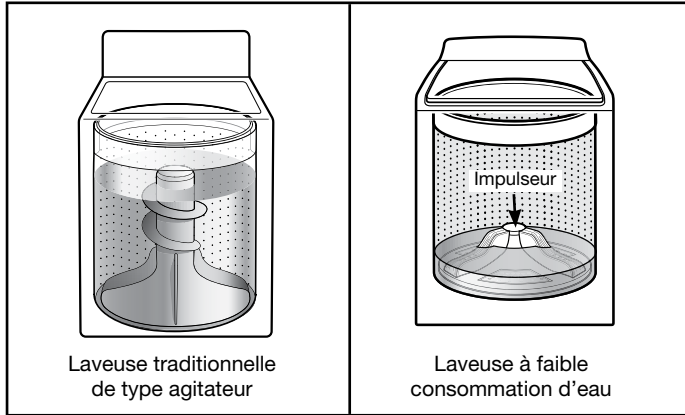
Avertissements de la proposition 65 de l'État de Californie :

AVERTISSEMENT : Ce produit contient au moins un produit chimique connu par l'État de Californie pour être à l'origine de cancers.

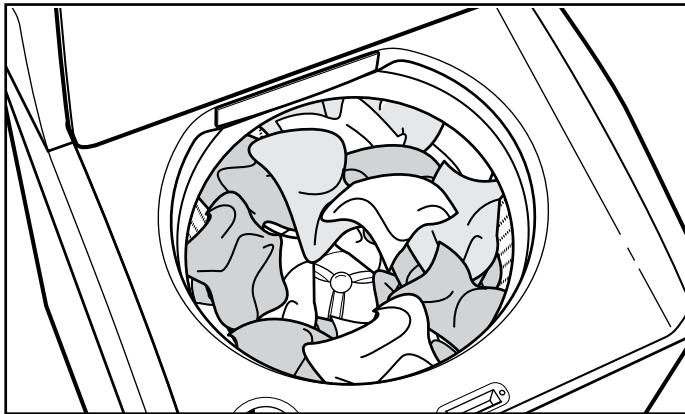
AVERTISSEMENT : Ce produit contient au moins un produit chimique connu par l'État de Californie pour être à l'origine de malformations et autres déficiences de naissance.

Quoi de neuf sous le couvercle?

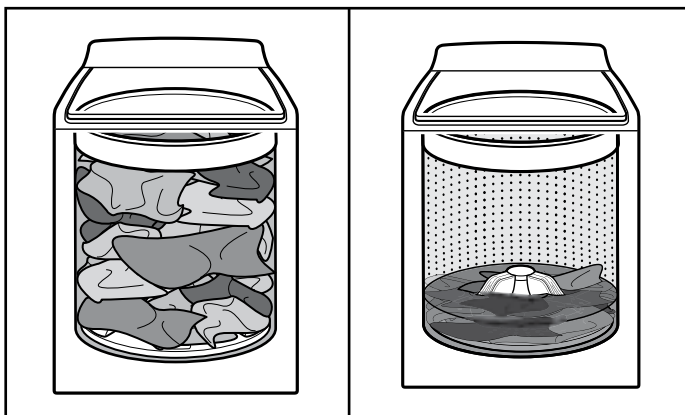
Laver avec moins d'eau



La nouveauté la plus remarquable de cette nouvelle laveuse est son système de lavage à faible consommation d'eau avec plateau de lavage. La laveuse ajuste automatiquement le niveau d'eau en fonction de la taille de la charge – nul besoin de sélecteur de niveau d'eau.



Pour un meilleur rendement, il est recommandé de déposer les articles en vrac et de façon uniforme le long du plateau de lavage.



À mesure que la laveuse imbibé et déplace la charge, les vêtements se tassent dans le panier. Ceci est normal et ne signifie pas que l'on doit rajouter des vêtements.

IMPORTANT : Le panier de la laveuse ne sera pas rempli d'eau, comme avec votre précédente laveuse de type agitateur. Il est normal qu'une partie de la charge dépasse du niveau d'eau.

Détection automatique de la taille de la charge

Une fois que l'on démarre le programme, le couvercle se verrouille et la laveuse entame un processus de détection pour déterminer le niveau d'eau approprié à la charge.

Le panier se met tout d'abord à tourner avant que l'eau ne s'écoule. Ceci est normal et fait partie du processus de détection. Cette méthode de lavage avec faible consommation d'eau utilise moins d'eau et d'énergie qu'une laveuse traditionnelle de type agitateur.

Choix du détergent approprié

Utiliser uniquement des détergents haute efficacité. L'emballage portera la mention "HE" ou "High Efficiency" (haute efficacité). Un lavage avec faible consommation d'eau produit un excès de mousse avec un détergent non HE. Il est probable que l'utilisation d'un détergent non HE prolongera la durée des programmes et réduira la performance de rinçage. Ceci peut aussi entraîner des malfunctions de composants et, avec le temps, une accumulation de moisissure. Les détergents HE devraient produire peu de mousse et se dissoudre rapidement pour produire une quantité de mousse idéale pour une performance optimale. Ils devraient retenir les particules de saleté en suspension afin qu'elles ne se redéposent pas sur les vêtements propres. Les détergents identifiés HE ne comportent pas tous une formule identique et ne produisent pas tous la même quantité de mousse. Par exemple, les détergents HE naturels, organiques et faits maison peuvent produire une plus grande quantité de mousse. Si l'un de ces produits est utilisé et que le code d'erreur "FOE2" s'affiche à l'écran, l'utilisation d'un autre détergent HE est conseillée. Toujours suivre les instructions du fabricant pour déterminer la quantité de détergent à utiliser, et ne pas remplir au-delà de la ligne de remplissage maximum du distributeur. Voir "Utilisation des distributeurs de produits de lessive" pour plus d'informations.



Utiliser uniquement un détergent haute efficacité (HE).

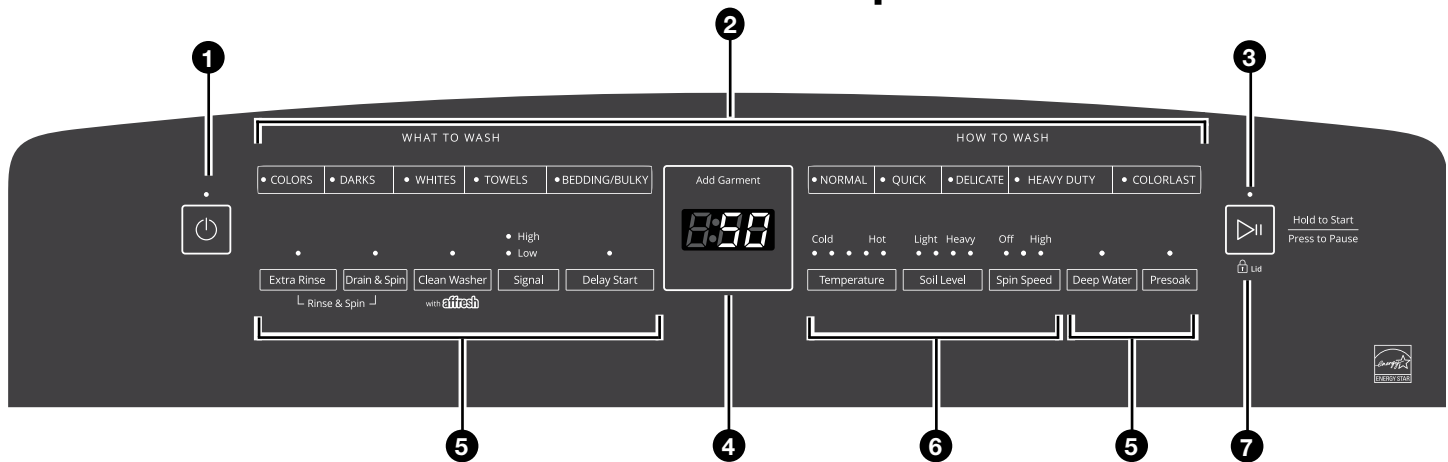
Nettoyage amélioré

Le système de lavage à faible consommation d'eau signifie un lavage concentré. Plutôt que de diluer du détergent comme dans une laveuse de type agitateur, cette laveuse libère le détergent directement sur les endroits souillés. Ce système de lavage à faible consommation d'eau déplace également les vêtements d'une manière plus efficace pour éliminer la saleté.

Sons normaux prévisibles

Au cours des différents stades du programme de lavage, vous entendrez peut-être des bruits que votre laveuse précédente ne produisait pas. Par exemple, vous entendrez peut-être un cliquetis au début du programme lorsque le système de verrouillage du couvercle effectue un test automatique. Différents bourdonnements et bruits de frottement rythmiques se produiront à mesure que le plateau de lavage déplace la charge et que le panier ralentit jusqu'à l'arrêt. Parfois, il est possible que la laveuse soit complètement silencieuse, lorsqu'elle détermine le niveau d'eau adéquat ou qu'elle laisse tremper les vêtements.

Tableau de commande et caractéristiques



REMARQUE : La surface du tableau de commande est très sensible et il suffit d'un léger toucher pour l'activer. Pour s'assurer que vos sélections ont été sauvegardées, toucher le tableau de commande du bout du doigt et non avec l'ongle. Pour sélectionner un réglage ou une option, il suffit de toucher le nom qui lui correspond jusqu'à ce que la section souhaitée s'allume.

1 BOUTON DE POWER (mise sous tension)

Appuyer sur ce bouton pour mettre en marche la laveuse. Si l'on appuie une fois sur ce bouton alors que la laveuse fonctionne, le programme en cours est annulé et appuyer une seconde fois la laveuse s'éteint.

2 WHAT TO WASH (articles à laver)/HOW TO WASH (méthode de lavage)

Commencer par choisir un programme dans la section "What to Wash" (articles à laver) puis choisir "How to Wash" (méthode de lavage) pour obtenir la meilleure combinaison de programmes disponibles pour le type d'articles à laver. Voir le "Guide de programmes" pour plus de détails sur le programme.

3 BOUTON DE START/PAUSE (mise en marche/pause)

Appuyer sans relâcher sur ce bouton pour démarrer le programme sélectionné, puis appuyer de nouveau pour suspendre un programme.

4 AFFICHAGE DEL DE DURÉE/STATUT

L'affichage de durée résiduelle estimée indique le temps nécessaire à l'achèvement du programme. Des facteurs tels que la taille de la charge et la pression de l'eau peuvent affecter la durée affichée. La laveuse peut également ajuster la durée du programme si le linge est tassé, la charge déséquilibrée ou si la mousse produite est excessive.

Si une mise en marche différée a été programmée, l'affichage de durée résiduelle estimée indiquera la durée différée réglée.

Une fois le programme terminé, Done (terminé) apparaît sur l'affichage jusqu'à ce que l'on ouvre le couvercle.

ADD GARMENT (ajouter un vêtement)

Lorsque Add Garment (ajouter un vêtement) est allumé, on peut suspendre le programme de la laveuse, ouvrir le couvercle et ajouter des articles. Appuyer et maintenir enfoncé le bouton START/PAUSE (mise en marche/pause) pour remettre la laveuse en marche.

5 OPTIONS

On peut aussi ajouter ou supprimer des options pour chaque programme. Certaines options ne peuvent pas être utilisées avec certains programmes, et certaines d'entre elles sont pré-réglées pour ne fonctionner qu'avec certains programmes.

EXTRA RINSE (rinçage supplémentaire)

On peut utiliser cette option pour ajouter automatiquement un second rinçage à la plupart des programmes.

DRAIN & SPIN (vidange et essorage)

En sélectionnant cette option, l'essorage de la charge et la vidange de l'eau dans la cuve sont effectués. La charge n'est pas rincée.

RINSE & SPIN (rinçage et essorage)

Appuyer sur le bouton DRAIN & SPIN (vidange et essorage), puis appuyer sur le bouton EXTRA RINSE (rinçage supplémentaire). Cette option combine un rinçage et un essorage à haute vitesse pour les charges nécessitant un programme de rinçage supplémentaire ou pour terminer une charge après une coupure de courant. Utiliser également pour les charges nécessitant uniquement un rinçage.

CLEAN WASHER (nettoyage de la laveuse)

Utiliser ce programme à l'issue de chaque série de 30 lavages pour que l'intérieur de la laveuse reste frais et propre. Ce programme utilise un niveau d'eau plus élevé. Utiliser avec une pastille de nettoyage pour laveuse affresh® ou de l'eau de Javel pour nettoyer soigneusement l'intérieur de la laveuse. Ce programme ne doit pas être interrompu. Voir "Entretien de la laveuse".

IMPORTANT : Ne pas placer de vêtements ou autres articles dans la laveuse pendant le programme Clean Washer (nettoyage de la laveuse). Utiliser ce programme avec une cuve de lavage vide.

SIGNAL (signal)

Appuyer sur ce bouton pour régler le signal de fin d'un programme de lavage sur faible, élevé ou désactivé.

REMARQUE : Il est également possible de régler les signaux sonores qui retentissent lorsqu'on appuie sur un bouton de caractéristique, de réglage ou d'option. Appuyer et maintenir enfoncé SIGNAL (signal de fin de programme) pendant 3 secondes pour régler les signaux sonores sur faible, élevé ou désactivé.

DELAY START (mise en marche différée)

Appuyer sur DELAY START (mise en marche différée) pour différer le démarrage d'un programme de lavage jusqu'à 12 heures "12H". Pour désactiver, appuyer sur DELAY START (mise en marche différée) jusqu'à ce que "0H" apparaisse sur l'affichage de durée/statut, ou appuyer sur le bouton POWER (mise sous tension).

DEEP WATER (niveau d'eau élevé)

Utiliser cette option pour ajouter la quantité maximale d'eau au programme de lavage.

REMARQUE : Le programme prendra plus de temps à s'exécuter en raison du temps de remplissage supplémentaire occasionné par l'option Deep Water (niveau d'eau élevé).

PRESOAK (prétrempage)

Utiliser cette option pour ajouter une période de trempage supplémentaire à n'importe quel programme pour aider à désincruster les taches tenaces. La laveuse se remplit, puis s'interrompt pour le trempage, puis démarre le programme sélectionné.

6 MODIFICATEURS DE PROGRAMMES

Lorsqu'on sélectionne un programme, ses réglages par défaut ou la sélection du programme précédemment utilisé s'allument.

TEMPERATURE (température)

La fonction de contrôle de température détecte et maintient une température uniforme de l'eau en régulant le débit d'arrivée d'eau chaude et d'eau froide.

Sélectionner une température de lavage en fonction du type de tissu et de saleté à laver. Pour des résultats optimaux, suivre les instructions sur l'étiquette du vêtement et utiliser la température d'eau de lavage la plus chaude possible qui reste sans danger pour le tissu.

- Les températures de l'eau tiède et de l'eau chaude peuvent être inférieures à celles de votre précédente laveuse, sur certains modèles et avec certains programmes.
- Même avec un réglage de lavage à l'eau froide, il est possible que de l'eau tiède soit ajoutée à la laveuse pour maintenir une température minimale.

SOIL LEVEL (niveau de saleté)

Le niveau de saleté (durée de lavage) est pré-réglé pour chaque programme de lavage. Lorsque l'on appuie sur la touche Soil Level (niveau de saleté), la durée du programme (en minutes) augmente ou diminue sur l'afficheur de la durée résiduelle estimée et une durée de lavage différente apparaît.


Sélectionner le réglage le plus adapté à votre charge. Pour les articles très sales, sélectionner Heavy Soil Level (niveau de saleté très élevé) pour prolonger la durée de lavage. Pour les articles peu sales, sélectionner Light Soil Level (niveau de saleté faible) pour abrégier la durée de lavage. Le réglage de niveau de saleté faible aidera à réduire l'emmêlement et le froissement.

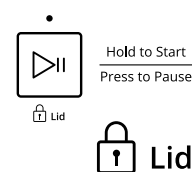
SPIN SPEED (vitesse d'essorage)

Cette laveuse sélectionne automatiquement la vitesse d'essorage en fonction du programme sélectionné. Les vitesses pré-réglées peuvent être modifiées. Sur certains programmes, certaines vitesses d'essorage ne sont pas disponibles.

- Des vitesses d'essorage plus élevées signifient des durées de séchage plus courtes, mais elles peuvent augmenter le froissement de la charge.
- Des vitesses d'essorage plus lentes signifient moins de froissement, mais laissent la charge plus humide.

7 LID

Le témoin lumineux Lid Lock ( Lid) (couvercle verrouillé) s'allume lorsque le couvercle est verrouillé et ne peut être ouvert. Si l'on doit ouvrir le couvercle, appuyer sur le bouton START/PAUSE (mise en marche/pause). Le couvercle se déverrouille une fois que le mouvement de la laveuse a cessé. Il se peut que cela prenne plusieurs minutes si la laveuse essorait la charge à grande vitesse. Appuyer sans relâcher encore une fois sur le bouton START/PAUSE (mise en marche/pause) pour redémarrer le programme.



Distributeurs et robinet

A Distributeur de détergent haute efficacité "HE"

Verser le détergent HE liquide ou en poudre dans ce distributeur pour le programme de lavage principal. Retirer le compartiment si l'on utilise du détergent en poudre.

IMPORTANT : S'assurer que le compartiment se trouve dans le tiroir lorsque l'on utilise du détergent liquide, et qu'il a été retiré lorsque l'on utilise du détergent en poudre. Ne pas dépasser la ligne de remplissage Max.



Utiliser uniquement un détergent haute efficacité (HE).

REMARQUE : Suivre les recommandations du fabricant pour déterminer la quantité de détergent à utiliser.

B Distributeur d'assouplissant liquide

Si désiré, verser la mesure d'assouplissant liquide dans le distributeur d'assouplissant liquide. Celui-ci distribuera automatiquement le produit au moment opportun.

- Utiliser uniquement de l'assouplissant liquide dans ce distributeur.

C Distributeur d'eau de Javel

Ce distributeur peut contenir jusqu'à 3/4 de tasse (180 ml) d'agent de blanchiment liquide. L'agent de blanchiment sera automatiquement dilué et distribué au moment opportun au cours du programme de lavage. Ce distributeur ne peut pas diluer de l'agent de blanchiment en poudre.

REMARQUE : Remplir le distributeur uniquement avec de l'eau de Javel.

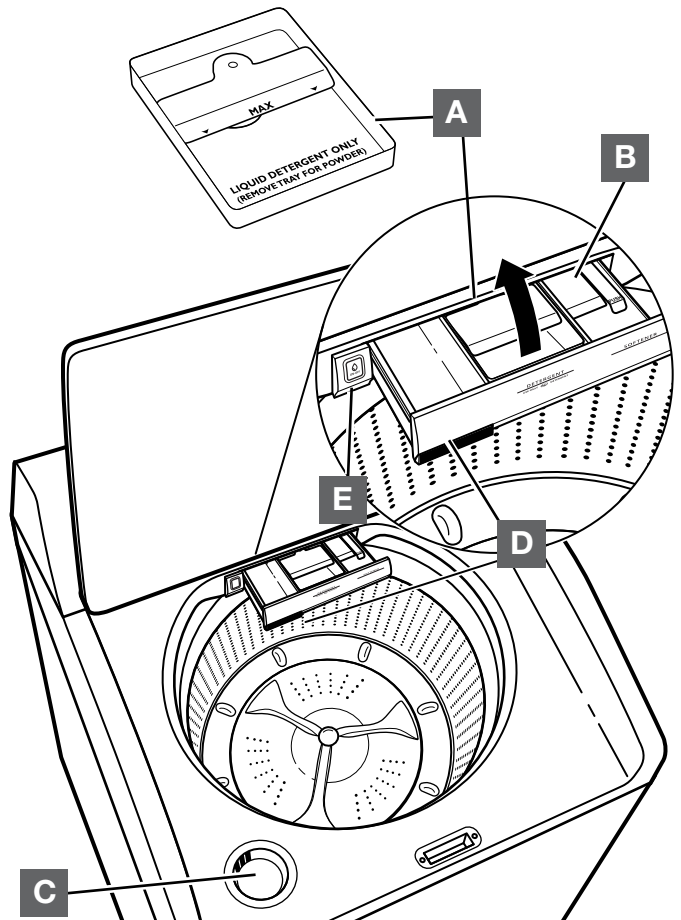
D Robinet d'eau

Le robinet d'eau distribue de l'eau fraîche qui peut être utilisée pour prétraiter les vêtements, rincer le distributeur de détergent ou remplir la cuve de la laveuse.

E Bouton Robinet

Appuyer une fois pour activer et appuyer de nouveau pour désactiver. Il n'est pas nécessaire de maintenir enfoncé le bouton.

REMARQUE : Si le programme n'est pas désactivé après plus de 10 minutes, le robinet s'arrête automatiquement.



Guide de programmes

Votre laveuse Whirlpool® possède une interface utilisateur unique pour vous aider à sélectionner le programme le mieux adapté à votre charge. Les configurations “What to Wash” (articles à laver) et “How to Wash” (méthode de lavage) vous indiquent le programme idéal en deux étapes faciles :

D’abord, déterminer les articles de la charge que l’on va nettoyer. Sélectionner ainsi les articles adéquats dans la partie “What to Wash” (articles à laver). Ensuite, déterminer la manière dont on souhaite nettoyer ces articles et sélectionner la méthode appropriée dans la partie “How to Wash” (méthode de lavage). Voir le tableau ci-dessous pour plus de détails.

Pour un meilleur soin des tissus, choisir le programme qui convient le mieux à la charge à laver.

- P** – Sélection du programme souhaitée
- R** – Programme alternative recommandé
- A** – Programme disponible mais pas optimal

		Quelle méthode de lavage souhaitez-vous utiliser?				
		Sélection du programme “How to Wash” (méthode de lavage)				
		Normal	Quick (rapide)	Delicate (articles délicats)	Heavy Duty (service intense)	ColorLast (préservation des couleurs)
		• Lavage normal	• Fait économiser du temps	• Nettoyage délicat • Préservation de mes tissus	• Détachage puissant	• Nettoyage délicat • Préservation de mes couleurs
Quels articles souhaitez-vous laver	Sélection du programme “What to wash” (articles à laver)					
Coton/lin	Colors (couleurs)	P	A	A	A	A
Couleurs vives		R	R	R	R	P
Tissus lavables à la main		R	R	P	A	R
Soutiens-gorge		R	R	P	A	R
Lingerie		R	R	P	A	R
Vêtements pour bébé		R	R	R	P	R
Articles en soie lavables en machine		R	R	P	A	R
Lainages		R	R	P	R	R
Couleurs foncées	Darks (couleurs foncées)	P	R	A	R	R
Vêtements de sport intensif		R	R	A	P	A
T-shirts		P	R	R	R	R
Hauts de survêtements		P	R	R	R	R
Jeans		P	R	R	R	R
Pyjamas		P	R	R	R	R
Tenues de bureau décontractées		R	R	R	R	P
Chemises et pantalons habillés		R	R	R	A	P
Tissus non repassables	R	R	R	R	P	
Draps foncés	P	R	A	R	R	
Vêtements blancs	Whites (blancs)	P	R	R	R	S.O.
Chemises blanches		P	R	R	R	
T-shirts blancs		P	R	R	R	
Chaussettes		R	R	R	P	
Sous-vêtements		R	R	R	P	
Mouchoirs		R	R	P	R	
Serviettes		R	R	P	R	
Draps blancs		P	R	A	R	
Nappes	P	R	R	R		

Guide de programmes

Pour un meilleur soin des tissus, choisir le programme qui convient le mieux à la charge à laver.

P – Sélection du programme souhaitée

R – Programme alternative recommandé

A – Programme disponible mais pas optimal

		Quelle méthode de lavage souhaitez-vous utiliser?				
		Sélection du programme "How to Wash" (méthode de lavage)				
		Normal	Quick (rapide)	Delicate (articles délicats)	Heavy Duty (service intense)	ColorLast (préservation des couleurs)
		• <i>Lavage normal</i>	• <i>Fait économiser du temps</i>	• <i>Nettoyage délicat</i> • <i>Préservation de mes tissus</i>	• <i>Détachage puissant</i>	• <i>Nettoyage délicat</i> • <i>Préservation de mes couleurs</i>
Quels articles souhaitez-vous laver	Sélection du programme "What to wash" (articles à laver)					
Serviettes	Towels (serviettes)	P	R	R	R	R
Tissu éponge		P	R	R	R	R
Serviettes à main		P	R	R	R	R
Tapis de bain		P	R	R	R	R
Serviettes de bain		P	R	R	R	R
Couvertures	Bedding/Bulky (articles de literie/ articles volumineux)	P	A	R	R	R
Manteaux et vestes		P	A	R	R	R
Couettes		P	A	R	R	R
Rideaux lavables en machine		R	R	P	A	R
Housses lavables en machine		P	R	R	A	R
Tapis et paillasons sans garniture de caoutchouc		P	A	R	R	R
Sacs de couchage		P	A	R	A	R

Utilisation de la laveuse

Utilisation du robinet de la laveuse avant le programme de lavage

⚠ AVERTISSEMENT



Risque d'incendie

Ne jamais mettre des articles humectés d'essence ou d'autres fluides inflammables dans la laveuse.

Aucune laveuse ne peut complètement enlever l'huile.

Ne pas faire sécher des articles qui ont été salis par tout genre d'huile (y compris les huiles de cuisson).

Le non-respect de ces instructions peut causer un décès, une explosion ou un incendie.

⚠ AVERTISSEMENT



Risque de choc électrique

Brancher sur une prise à 3 alvéoles reliée à la terre.

Ne pas enlever la broche de liaison à la terre.

Ne pas utiliser un adaptateur.

Ne pas utiliser un câble de rallonge.

Le non-respect de ces instructions peut causer un décès, un incendie ou un choc électrique.

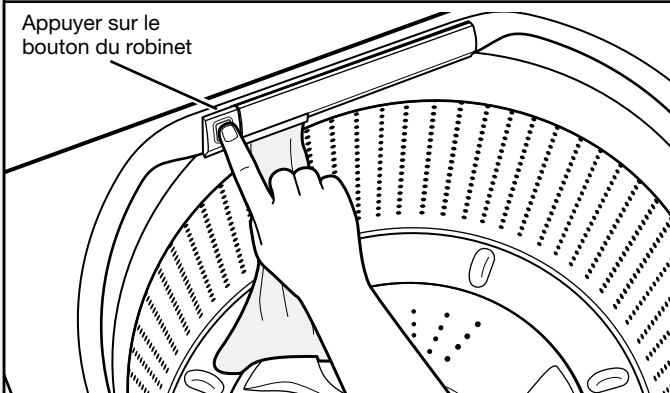


Rinçage avant de faire fonctionner le programme de lavage

IMPORTANT : Avant le rinçage, s'assurer de trier, de préparer et charger la lessive comme indiqué dans "Faire fonctionner le programme de lavage".

1. Ouvrir le robinet

Appuyer sur le bouton du robinet



- Appuyer sur le bouton une fois. Il n'est pas nécessaire de maintenir enfoncé le bouton.
- Fermer le robinet en appuyant de nouveau sur le bouton.
- Si l'on oublie de fermer le robinet, le robinet s'arrête automatiquement.
- L'eau de la cuve se vidange automatiquement si le niveau d'eau est trop élevé. L'eau se vidange également au bout de 10 minutes si la porte est laissée ouverte.

2. Vidanger l'eau manuellement, si désiré

Drain & Spin



- Si l'on souhaite de vidanger l'eau dans la cuve – avec la laveuse en marche, sélectionner DRAIN & SPIN (vidange et essorage) et appuyer sans relâcher sur le bouton START/PAUSE (mise en marche/pause).
- L'eau dans la cuve est toujours vidangée avant qu'un programme de lavage ne puisse être démarré.

3. Rincer et vidanger l'eau, si désiré

Extra Rinse

Drain & Spin



└ Rinse & Spin ┘

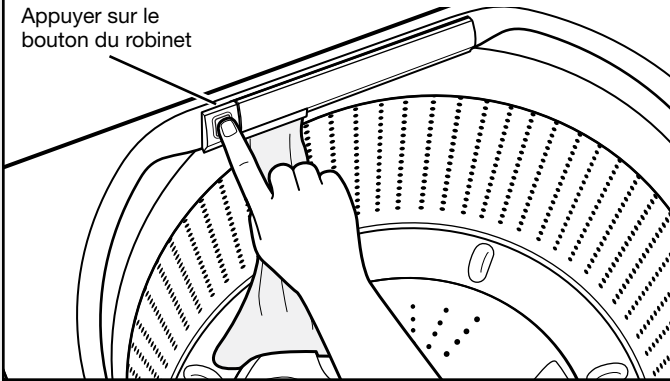
- Si l'on souhaite rincer la lessive, puis vidanger l'eau – avec la laveuse en marche, sélectionner RINSE & SPIN (rinçage et essorage) et appuyer sans relâcher sur le bouton START/PAUSE (mise en marche/pause).
- L'eau dans la cuve est toujours vidangée avant qu'un programme de lavage ne puisse être démarré.



Prétrempage sans faire fonctionner le programme de lavage

1. Ouvrir le robinet

Appuyer sur le bouton du robinet



- Appuyer une fois sur le bouton du robinet. Il n'est pas nécessaire de maintenir enfoncé le bouton.
- Fermer le robinet en appuyant de nouveau sur le bouton.

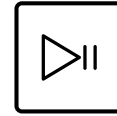
CONSEIL : L'on peut ajouter du détergent, de l'agent de blanchiment sans danger pour les couleurs, des activateurs de lessive de type Oxi tandis que l'eau coule du robinet pour le mélanger avec l'eau. (Voir étape 2 dans la colonne suivante.)

Si l'on oublie de fermer le robinet, le robinet s'arrête automatiquement.

IMPORTANT : Pour arrêter la cuve de se vidanger automatiquement en 10 minutes, fermer le couvercle. L'eau reste dans la cuve aussi longtemps que le couvercle est fermé et aucune autre action n'est prise. Au bout de 3 heures, l'eau est automatiquement vidangée.

2. Vidanger l'eau manuellement, si désiré

Drain & Spin



Si l'on souhaite de vidanger l'eau dans la cuve – avec la laveuse en marche, sélectionner DRAIN & SPIN (vidange et essorage) et appuyer sans relâcher sur le bouton START/PAUSE (mise en marche/pause).

REMARQUE : Si l'on souhaite démarrer le programme de lavage, l'eau dans la cuve est toujours vidangée avant que le programme ne puisse être démarré.

3. Rincer et vidanger l'eau, si désiré

Extra Rinse

Drain & Spin

└ Rinse & Spin ┘

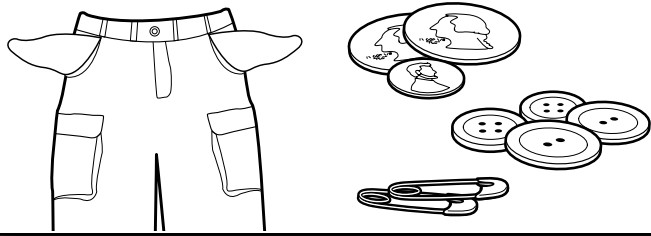


Si l'on souhaite rincer la lessive – avec la laveuse en marche, sélectionner RINSE & SPIN (rinçage et essorage) et appuyer sans relâcher sur le bouton START/PAUSE (mise en marche/pause). La laveuse effectue la vidange de l'eau, l'essorage et le rinçage de la charge, puis l'essorage de nouveau.

REMARQUE : Si l'on souhaite démarrer le programme de lavage, l'eau dans la cuve est toujours vidangée avant que le programme ne puisse être démarré.

Faire fonctionner un programme de lavage

1. Trier et préparer le linge



Vider les poches. Des pièces de monnaie, des boutons ou objets de petite taille sont susceptibles de glisser sous le plateau de lavage et de s'y coincer, ce qui peut entraîner des bruits inattendus.

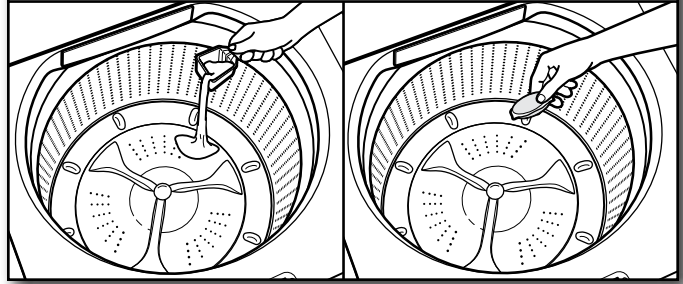
- Trier les articles en fonction du programme et de la température d'eau recommandés, ainsi que de la solidité des teintures.
- Séparer les articles très sales des articles peu sales.
- Séparer les articles délicats des tissus résistants.
- Ne pas sécher les vêtements si les taches sont toujours présentes après le lavage, car la chaleur pourrait fixer les taches sur le tissu.
- Traiter les taches sans délai.
- Fermer les fermetures à glissière, attacher les crochets, cordons et ceintures en tissu. Ôter les garnitures et les ornements non lavables.
- Réparer les déchirures pour éviter que les articles ne s'endommagent encore davantage lors du lavage.

Conseils utiles :

- Pour une meilleure performance, utiliser un détergent haute efficacité (HE) pour le lavage des articles volumineux.
- Lors du lavage d'articles imperméables ou résistants à l'eau, charger la laveuse de façon uniforme.
- Utiliser des sacs en filet pour aider à empêcher l'emmêlement lors du lavage d'articles délicats ou de petits articles.
- Retourner les tricots pour éviter le boulochage. Séparer les articles qui forment la charpie de ceux qui la retiennent. Les articles synthétiques, tricots et articles en velours retiennent la charpie provenant des serviettes, des tapis et des tissus chenille.

REMARQUE : Toujours lire et suivre les instructions des étiquettes de soin des tissus pour éviter d'endommager les vêtements.

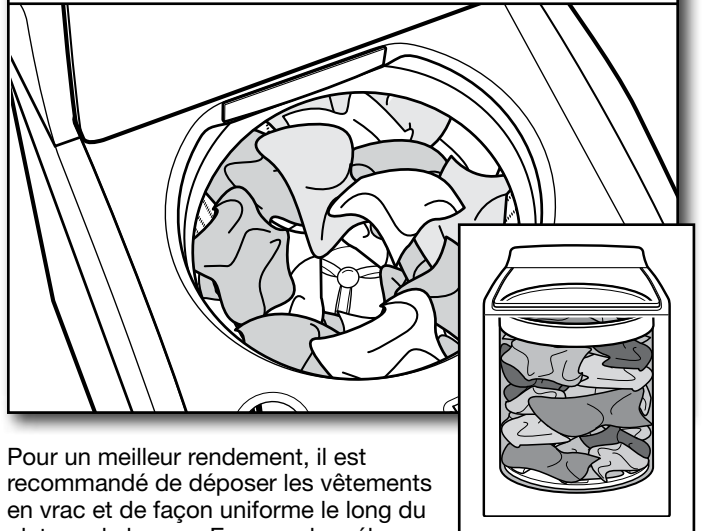
2. Ajouter les produits de lessive



On peut ajouter un sachet de lessive à dose unique, l'agent de blanchiment sans danger pour les couleurs, des produits activateurs de type Oxi ou des cristaux d'assouplissant pour tissu dans le panier avant d'ajouter le linge.

REMARQUE : Toujours suivre les instructions du fabricant.

3. Charger les vêtements dans la laveuse



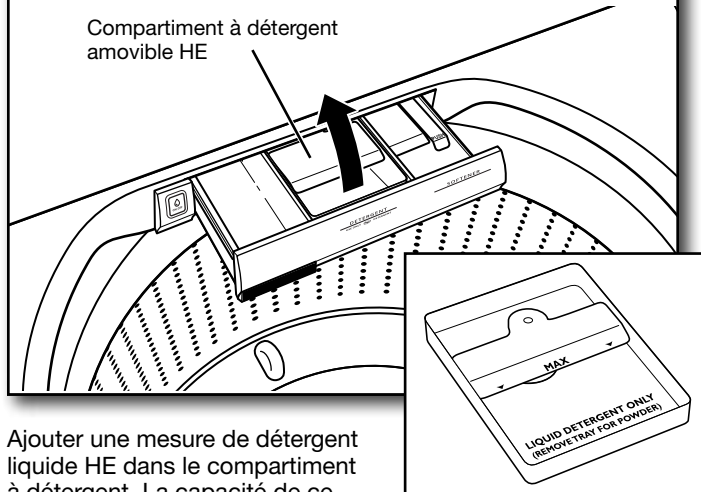
Pour un meilleur rendement, il est recommandé de déposer les vêtements en vrac et de façon uniforme le long du plateau de lavage. Essayer de mélanger des articles de différentes tailles pour réduire l'emmêlement.

IMPORTANT : Les articles doivent pouvoir se déplacer librement pour un nettoyage optimal et pour réduire le froissement et l'emmêlement.

Utilisation des distributeurs de produits de lessive

REMARQUE : Ne pas placer de sachets de lessive à dose unique, d'agent de blanchiment sans danger pour les couleurs, des produits activateurs de type Oxi ou des cristaux d'assouplissant pour tissu dans les distributeurs. Ces produits ne se dissoudront pas correctement. Ajouter dans le panier avant d'ajouter la lessive.

4. Ajouter le détergent HE



Ajouter une mesure de détergent liquide HE dans le compartiment à détergent. La capacité de ce compartiment est de 3 oz (89 ml).

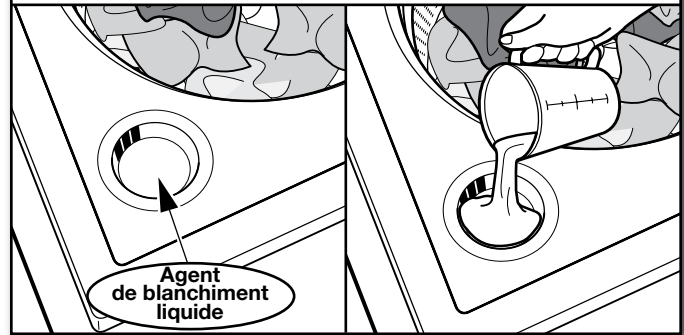
Si l'on ajoute du détergent en poudre HE, retirer le compartiment intérieur. Ne pas remplir excessivement le compartiment – le fait d'ajouter trop de détergent peut entraîner sa distribution prématurée dans la laveuse.

REMARQUE : S'assurer que le compartiment se trouve dans le tiroir lorsque l'on utilise du détergent liquide, et qu'il a été retiré lorsque l'on utilise du détergent en poudre. Ne pas dépasser la ligne de remplissage Max.

IMPORTANT : Utiliser uniquement des détergents haute efficacité. L'emballage portera la mention "HE" ou "High Efficiency" (haute efficacité). Un lavage avec faible consommation d'eau produit un excès de mousse avec un détergent non HE. Il est probable que l'utilisation d'un détergent non HE prolongera la durée des programmes et réduira la performance de rinçage. Ceci peut aussi entraîner des malfunctions de composants et, avec le temps, une accumulation de moisissure. Les détergents HE devraient produire peu de mousse et se dissoudre rapidement pour produire une quantité de mousse idéale pour une performance optimale. Ils devraient retenir les particules de saleté en suspension afin qu'elles ne se redéposent pas sur les vêtements propres. Les détergents identifiés HE ne comportent pas tous une formule identique et ne produisent pas tous la même quantité de mousse. Par exemple, les détergents HE naturels, organiques et faits maison peuvent produire une plus grande quantité de mousse. Si l'un de ces produits est utilisé et que le code d'erreur "F0E2" s'affiche à l'écran, l'utilisation d'un autre détergent HE est conseillée. Toujours suivre les instructions du fabricant pour déterminer la quantité de détergent à utiliser, et ne pas remplir au-delà de la ligne de remplissage maximum du distributeur.

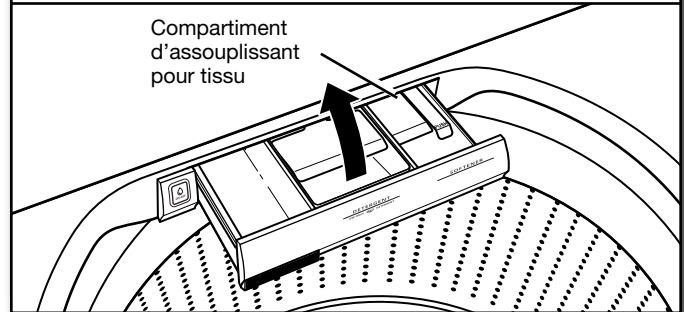
CONSEIL UTILE : Voir "Entretien de la laveuse" pour plus d'informations sur la méthode recommandée pour le nettoyage des compartiments de distribution de la laveuse.

5. Ajouter l'agent de blanchiment liquide dans le distributeur



Ne pas remplir excessivement le distributeur, diluer le produit ou utiliser plus d'une (1) tasse (236 ml). Ne pas utiliser d'agent de blanchiment sans danger pour les couleurs ni de produit Oxi avec un programme utilisant de l'eau de Javel.

6. Verser de l'assouplissant liquide



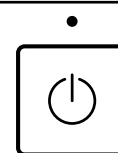
Verser une mesure d'assouplissant liquide dans le distributeur – toujours suivre les instructions du fabricant concernant la dose d'assouplissant à utiliser en fonction de la taille de la charge. Fermer le tiroir distributeur. L'assouplissant est ajouté lors du rinçage.

IMPORTANT : Ne pas remplir le distributeur excessivement ni diluer le produit. Si l'on remplit excessivement le distributeur, l'assouplissant pour tissu sera distribué dans la laveuse immédiatement.

Si l'on sélectionne l'option Extra Rinse (rinçage supplémentaire), l'assouplissant pour tissu sera distribué au cours du dernier rinçage.

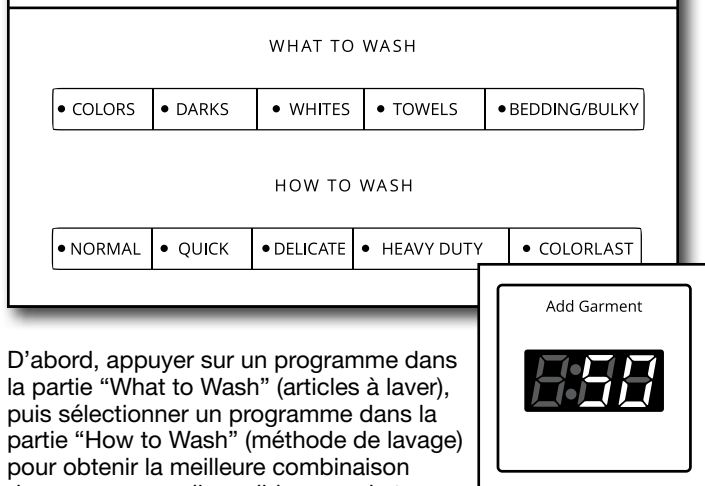
Il est normal qu'il reste une petite quantité d'eau dans le distributeur une fois le programme terminé.

7. Appuyer sur le bouton POWER (mise sous tension) pour mettre en marche la laveuse



S'assurer que le tiroir distributeur est complètement fermé, puis appuyer sur le bouton POWER (mise sous tension) pour mettre la laveuse en marche.

8. Sélectionner le type de charge à laver



D'abord, appuyer sur un programme dans la partie "What to Wash" (articles à laver), puis sélectionner un programme dans la partie "How to Wash" (méthode de lavage) pour obtenir la meilleure combinaison de programmes disponibles pour le type d'articles à laver. Voir le "Guide de programmes" pour plus de détails. Certains programmes ne sont pas disponibles sur certains modèles.

La durée résiduelle estimée s'allume, accompagnée de la durée du programme. On peut remarquer un ajustement de la durée durant le programme. Ceci est normal.

Si l'on ne souhaite pas démarrer un programme immédiatement, on peut choisir l'option Delay Start (mise en marche différée).

Choix d'une heure de lavage différé :

- Appuyer sur le bouton DELAY START (mise en marche différée) pour sélectionner le délai souhaité. Cela augmente la durée par tranche d'une heure à hauteur de 12 heures.
- Appuyer et maintenir enfoncé le bouton START/PAUSE (mise en marche/pause) pour différer l'heure de lavage.

IMPORTANT : Lorsqu'on utilise un programme différé, utiliser uniquement du détergent HE liquide dans le distributeur. Les détergents en poudre peuvent absorber l'humidité d'un programme précédent et former des grumeaux avant que le programme de lavage ne commence.

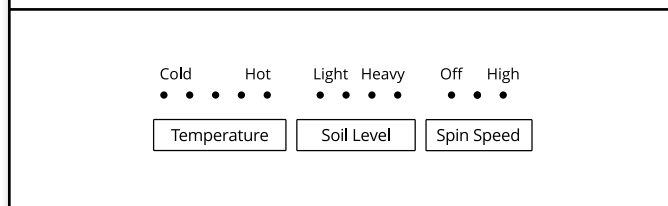
Annulation de la mise en marche différée :

- Appuyer sur le bouton POWER (mise sous tension) pour annuler la mise en marche différée.

Mise en pause de la mise en marche différée :

- Appuyer sur le bouton START/PAUSE (mise en marche/pause) pour mettre en pause la mise en marche différée.
- Appuyer de nouveau et maintenir enfoncé le bouton START/PAUSE (mise en marche/pause) pour relancer la mise en marche différée. Si la mise en marche différée n'a pas été lancée au bout de 10 minutes, la laveuse s'éteint automatiquement.

9. Sélectionner les modificateurs de programme

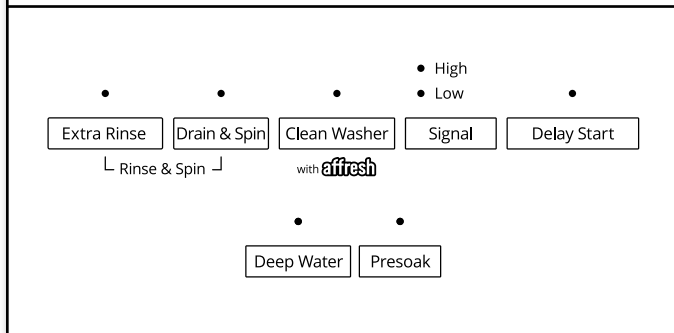


Après avoir sélectionné un programme, les modificateurs par défaut correspondant à ce programme s'allument. Appuyer sur les boutons des réglages du programme pour modifier le niveau de saleté, la vitesse d'essorage et la température si désiré. Tous les réglages ne sont pas disponibles avec tous les programmes.

REMARQUE : Toujours lire et suivre les instructions des étiquettes de soin des tissus pour éviter d'endommager les articles.

Temperature (température)	Tissus suggérés
Hot (chaude) De l'eau froide est ajoutée pour économiser de l'énergie. Ceci sera plus froid que le réglage du chauffe-eau pour l'eau chaude de votre domicile.	Blancs et couleurs claires Vêtements robustes Saleté intense
Warm (tiède) De l'eau froide sera ajoutée; il est donc possible que l'eau soit plus froide que celle que fournissait votre laveuse précédente.	Couleurs vives Saleté modérée à légère
Cool (fraîche) De l'eau chaude est ajoutée pour favoriser l'élimination de la saleté et pour aider à dissoudre les détergents.	Couleurs qui déteignent ou s'atténuent Saleté légère
Cold (froide) De l'eau tiède est ajoutée pour favoriser l'élimination de la saleté et aider à dissoudre les détergents.	Couleurs foncées qui déteignent ou s'atténuent Saleté légère

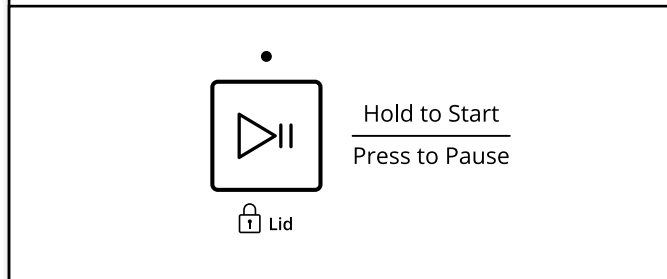
10. Sélectionner les options de programme de programme



Sélectionner les autres options de programme que l'on souhaite ajouter si elles ne sont pas déjà programmées. Certains programmes ajoutent automatiquement certaines options telles que Extra Rinse (rinçage supplémentaire). Elles peuvent être désactivées si désiré.

REMARQUE : Toutes les options ne sont pas disponibles avec tous les programmes. Appuyer sur le panneau de commande pour sélectionner toute autre option.

11. Appuyer et maintenir enfoncer sur le bouton START/PAUSE (mise en marche/pause) pour démarrer le programme de lavage



Appuyer et maintenir enfoncer le bouton START/PAUSE (mise en marche/pause) pour démarrer le programme de lavage. Lorsque le programme est terminé, le signal de fin de programme retentit (si activé). Retirer rapidement les vêtements une fois le programme terminé pour empêcher la formation d'odeurs, réduire le froissement et empêcher les crochets métalliques, fermetures à glissière et boutons-pression de rouiller.

Déverrouiller le couvercle pour ajouter les vêtements

Si l'on doit ouvrir le couvercle pour ajouter un ou deux vêtements :

Appuyer sur le bouton START/PAUSE (mise en marche/pause) pour interrompre la laveuse; le couvercle se déverrouille une fois que le mouvement de la laveuse a cessé. Ceci peut prendre plusieurs minutes si la laveuse essorait la charge à grande vitesse. Fermer ensuite le couvercle et appuyer de nouveau sur le bouton START/PAUSE (mise en marche/pause) en maintenant le bouton enfoncé pour redémarrer le programme.

IMPORTANT : Si on laisse le couvercle ouvert pendant plus de 10 minutes, l'eau est vidangée et le code d'erreur F8E6 apparaît sur l'afficheur.

Entretien de la laveuse

TUYAUX D'ARRIVÉE D'EAU

Remplacer les tuyaux d'arrivée d'eau après 5 ans d'utilisation pour réduire le risque de défaillance intempestive. Inspecter périodiquement les tuyaux; les remplacer en cas de renflement, de déformation, de coupure et d'usure ou si une fuite se manifeste.

Lorsque vous remplacez les tuyaux d'arrivée d'eau, noter la date de remplacement au marqueur indélébile sur l'étiquette.

REMARQUE : Cette laveuse ne comprend pas de tuyaux d'arrivée d'eau. Voir les Instructions d'installation pour plus de renseignements.

ENTRETIEN DE LA LAVEUSE

Recommandations pour une laveuse propre et pour un niveau de performance optimal

1. Toujours utiliser des détergents haute efficacité (HE) et suivre les recommandations du fabricant de détergent HE pour déterminer la quantité de détergent HE à utiliser. Ne jamais utiliser plus que la quantité recommandée de détergent, car ceci peut augmenter le taux d'accumulation de résidus de détergent et de souillures à l'intérieur de la laveuse, ce qui pourrait entraîner la formation d'odeurs indésirables.
2. Exécuter périodiquement des lavages avec de l'eau tiède ou chaude (et non pas exclusivement des lavages à l'eau froide), car l'eau tiède ou chaude permet de contrôler plus efficacement la vitesse à laquelle les saletés et les résidus de détergent s'accumulent.
3. Veiller à toujours laisser le couvercle de la laveuse ouvert entre deux utilisations pour qu'elle puisse sécher, et pour éviter l'accumulation de résidus générateurs d'odeurs.

Nettoyage de la laveuse à chargement par le dessus

Lire complètement ces instructions avant d'entreprendre les opérations de nettoyage de routine recommandées ci-dessous. Le processus d'entretien de la laveuse doit être exécuté au moins une fois par mois ou à intervalles de 30 lavages (selon la période la plus courte des deux); ceci permettra de contrôler la vitesse à laquelle les résidus de détergent et les souillures s'accumulent dans la laveuse.

Nettoyage de l'intérieur de la laveuse

Pour que l'intérieur de la laveuse reste libre de toute odeur, suivre les instructions d'utilisation indiquées ci-dessus et effectuer la procédure de nettoyage mensuelle recommandée suivante :

Programme Clean Washer (nettoyage de la laveuse)

Cette laveuse comporte un programme spécial qui utilise un volume d'eau plus important en conjonction avec le nettoyant pour laveuse affresh® ou un agent de blanchiment liquide au chlore pour nettoyer l'intérieur de la laveuse.

Début de la procédure

1. Procédure de nettoyage avec le nettoyant pour laveuse affresh® (recommandé pour une performance optimale) :
 - a. Ouvrir le couvercle de la laveuse et retirer tout vêtement ou article.
 - b. Placer une pastille de nettoyant pour laveuse affresh® dans le fond du panier de la laveuse.
 - c. Ne pas placer de pastille de nettoyant pour laveuse affresh® dans le distributeur à détergent.
 - d. Ne pas ajouter de détergent ou autre composé chimique dans la laveuse lors de l'exécution de cette procédure.
 - e. Rabattre le couvercle de la laveuse.
 - f. Sélectionner le programme Clean Washer (nettoyage de la laveuse).
 - g. Appuyer et maintenir enfoncer le bouton START/PAUSE (mise en marche/pause) pendant 3 secondes pour démarrer le programme. Le processus du programme de nettoyage de la laveuse est décrit ci-dessous.

ENTRETIEN DE LA LAVEUSE (suite)

REMARQUE : Pour de meilleurs résultats, ne pas interrompre le programme. Si l'on doit interrompre le programme, appuyer sur le bouton POWER (mise sous tension). Une fois le programme de nettoyage de la laveuse arrêté, effectuer un programme Rinse & Spin (rinçage et essorage) pour rincer le nettoyant de la laveuse.

2. Méthode avec agent de blanchiment au chlore (autre option) :

- a. Ouvrir le couvercle de la laveuse et retirer tout vêtement ou article.
- b. Verser 1 tasse (236 ml) d'agent de blanchiment liquide au chlore dans le distributeur d'agent de blanchiment.

REMARQUE : L'emploi d'une quantité d'agent de blanchiment liquide au chlore supérieure à ce qui est recommandé ci-dessus pourrait endommager la laveuse avec le temps.

- c. Rabattre le couvercle de la laveuse.
- d. Ne pas ajouter de détergent ou autre composé chimique dans la laveuse lors de l'exécution de cette procédure.
- e. Sélectionner le programme Clean Washer (nettoyage de la laveuse).
- f. Appuyer et maintenir enfoncer le bouton START/PAUSE (mise en marche/pause) pour démarrer le programme. Le processus du programme de nettoyage de la laveuse est décrit ci-dessous.

REMARQUE : Pour de meilleurs résultats, ne pas interrompre le programme. Si l'on doit annuler le programme, appuyer sur le bouton POWER (mise sous tension). Une fois le programme de nettoyage de la laveuse arrêté, effectuer un programme Rinse & Spin (rinçage et essorage) pour rincer le nettoyant de la laveuse.

Description de l'utilisation du programme de nettoyage de la laveuse :

1. Ce programme remplit la laveuse à un niveau supérieur à celui des programmes de lavage ordinaires afin que le niveau de l'eau de rinçage soit supérieur à celui d'un programme de lavage ordinaire.
2. Ce programme comporte une agitation et un essorage pour améliorer l'élimination des souillures.

Une fois ce programme terminé, laisser le couvercle ouvert pour permettre une meilleure ventilation et pour que l'intérieur de la laveuse puisse sécher.

Nettoyage de l'extérieur de la laveuse

Utiliser une éponge ou un chiffon doux et humide pour essuyer les renversements éventuels. Utiliser uniquement des savons ou nettoyants doux pour nettoyer la surface externe de la laveuse.

IMPORTANT : Afin d'éviter d'endommager le revêtement de la laveuse, ne pas utiliser de produits abrasifs.

NON-UTILISATION ET ENTRETIEN EN PÉRIODE DE VACANCES

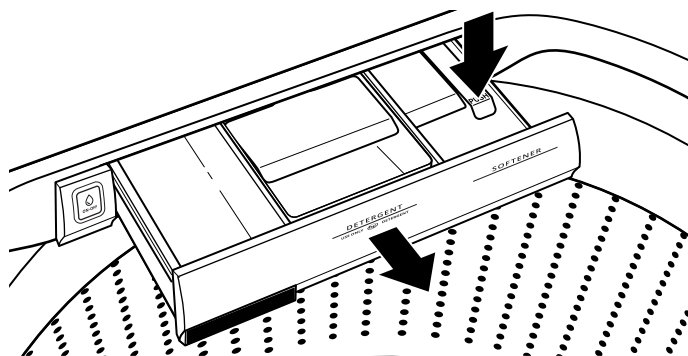
Faire fonctionner la laveuse seulement lorsqu'on est présent. En cas de déménagement ou si l'on n'utilise pas la laveuse pendant un certain temps, suivre les étapes suivantes :

1. Débrancher la laveuse ou déconnecter la source de courant électrique.
2. Fermer l'alimentation en eau à la laveuse pour éviter toute inondation due à une surpression.

NETTOYAGE DU TIROIR DISTRIBUTEUR

On trouvera peut-être des traces de produits de lessive dans le tiroir distributeur. Pour éliminer ces traces, suivre la procédure de nettoyage recommandée suivante :

1. Tirer le tiroir jusqu'à ce que l'on sente une résistance.
2. Appuyer sur un onglet, et continuer à tirer.
3. Laver dans une eau tiède et savonneuse avec un détergent doux.
4. Rincer à l'eau tiède.
5. Sécher à l'air ou avec une serviette, puis le replacer dans son logement.



IMPORTANT : Le tiroir distributeur n'est pas lavable au lave-vaisselle.

ENTRETIEN POUR ENTREPOSAGE HIVERNAL

IMPORTANT : Pour éviter tout dommage, installer et remiser la laveuse à l'abri du gel. L'eau qui peut rester dans les tuyaux risque d'abîmer la laveuse en temps de gel. Si la laveuse doit faire l'objet d'un déménagement ou d'entreposage au cours d'une période de gel, hivériser la laveuse.

Hivérisation de la laveuse :

1. Fermer les deux robinets d'eau; déconnecter et vidanger les tuyaux d'arrivée d'eau.
2. Placer 1 pinte (1 l) d'antigel pour véhicule récréatif dans le panier et faire fonctionner la laveuse sur un programme Rinse & Spin (rinçage et essorage) pendant environ 30 secondes pour mélanger l'antigel et l'eau restante.
3. Débrancher la laveuse ou déconnecter la source de courant électrique.

TRANSPORT DE LA LAVEUSE

1. Fermer les deux robinets d'eau. Débrancher et vidanger les tuyaux d'arrivée d'eau.
2. Si l'on déplace la laveuse pendant une période de gel, suivre les instructions de la section "Entretien pour entreposage hivernal" avant de la déplacer.
3. Déconnecter le tuyau de vidange du système de vidange.
4. Débrancher le cordon d'alimentation.
5. Placer les tuyaux d'arrivée d'eau dans le panier de la laveuse.
6. Faire passer le cordon d'alimentation et le tuyau de vidange par-dessus la console et les fixer avec du ruban de masquage.
7. Replacer l'emballage en polystyrène circulaire des matériaux d'expédition d'origine à l'intérieur de la laveuse. Si vous n'avez plus l'emballage circulaire, placer des couvertures lourdes ou des serviettes dans l'ouverture du panier. Fermer le couvercle et placer du ruban adhésif sur le couvercle et jusqu'à la partie inférieure avant de la laveuse. Laisser le couvercle fermé par l'adhésif jusqu'à ce que la laveuse soit installée à son nouvel emplacement. Déplacer la laveuse en position verticale.

⚠ AVERTISSEMENT



Risque de choc électrique

Brancher sur une prise à 3 alvéoles reliée à la terre.

Ne pas enlever la broche de liaison à la terre.

Ne pas utiliser un adaptateur.

Ne pas utiliser un câble de rallonge.

Le non-respect de ces instructions peut causer un décès, un incendie ou un choc électrique.

RÉINSTALLATION/RÉUTILISATION DE LA LAVEUSE

Pour réinstaller la laveuse après une non-utilisation, d'entreposage pour l'hiver, un déménagement ou une période de vacances :

1. Consulter les Instructions d'installation pour choisir l'emplacement, régler l'aplomb de la laveuse et la raccorder.
2. Avant de réutiliser la laveuse, exécuter la procédure recommandée suivante :

Remise en marche de la laveuse :

1. Vidanger les canalisations d'eau et les tuyaux. Reconnecter les tuyaux d'arrivée d'eau. Ouvrir les deux robinets d'eau.
2. Brancher la laveuse ou reconnecter la source de courant électrique.
3. Faire exécuter à la laveuse le programme Bedding/Bulky (articles de literie/articles volumineux) et Heavy Duty (service intense) pour nettoyer la laveuse et éliminer l'antigel, le cas échéant. Utiliser uniquement un détergent haute efficacité (HE). Utiliser la moitié de la quantité recommandée par le fabricant pour une charge de taille moyenne.

Dépannage

Essayer d'abord les solutions suggérées ici ou consulter le site Web www.whirlpool.com/product_help –
Au Canada www.whirlpool.ca pour obtenir de l'aide et pour éviter une intervention de réparation.

Si les phénomènes suivants se produisent	Causes possibles	Solution
Vibrations ou déséquilibre		
Vibrations, balancement ou effet de "marche" de la laveuse	Les pieds ne sont peut-être pas en contact avec le plancher ou peut-être qu'ils ne sont pas verrouillés.	Les pieds avant et arrière doivent être en contact ferme avec le plancher et la laveuse doit être d'aplomb pour fonctionner correctement.
	La laveuse n'est peut-être pas d'aplomb.	Vérifier que le plancher n'est pas incurvé ou qu'il ne s'affaisse pas. Si le plancher est irrégulier, un morceau de contreplaqué de 3/4 po (19 mm) placé sous la laveuse permettra de réduire le bruit. Voir "Réglage de l'aplomb de la laveuse" dans les Instructions d'installation.
Vibrations durant l'essorage ou la laveuse s'arrête	La charge est peut-être déséquilibrée.	Charger les vêtements sans les tasser et de façon uniforme le long du plateau de lavage. Le fait d'ajouter des articles mouillés ou de rajouter de l'eau dans le panier pourrait déséquilibrer la laveuse.
		Éviter de laver un article seul. Compenser le poids d'un article seul tel qu'un tapis ou une veste en jeans par quelques articles supplémentaires pour équilibrer le tout. Si le cadran clignote, réagencer la charge, fermer le couvercle et appuyer et maintenir enfoncer le bouton START/PAUSE (mise en marche/pause).
		Utiliser le programme Bedding/Bulky (articles de literie/articles volumineux) et Heavy Duty (service intense) pour les articles volumineux et non absorbants tels que les couettes ou les vestes avec rembourrage en polyester. Certains articles ne conviennent pas au programme Bedding/Bulky (articles de literie/articles volumineux) et Heavy Duty (service intense). Voir le "Guide de programmes".
		L'article ou la charge ne convient pas au programme sélectionné. Voir "Guide de programmes" et "Utilisation de la laveuse".
Bruits – Pour une liste des bruits de fonctionnement normaux consulter le, www.whirlpool.com/product_help.		
Cliquetis ou bruits métalliques	Des objets sont peut-être coincés dans le système de vidange de la laveuse.	Vider les poches avant le nettoyage. Les articles mobiles tels des pièces de monnaie sont susceptibles de tomber entre le panier et la cuve; ils peuvent aussi obstruer la pompe. Un appel pour intervention de dépannage s'avérera peut-être nécessaire pour retirer ces objets.
		Il est normal d'entendre des articles métalliques faisant partie des vêtements comme les boutons-pression métalliques, boucles ou fermetures à glissière toucher le panier en acier inoxydable.
Gargouillement ou bourdonnement	La laveuse est peut-être en train d'évacuer de l'eau.	Il est normal d'entendre la pompe produire un bourdonnement continu accompagné de gargouillements ou de bruits de pompage périodiques lorsque les quantités d'eau restantes sont éliminées au cours des programmes d'essorage/de vidange.
Bourdonnement	Le processus de détection de la charge est peut-être en cours.	Il est possible que les essorages émettent un bruit de ronronnement après la mise en marche de la laveuse. Ceci est normal.
Frottements rythmiques	Il se peut que le panier ralentisse.	Il se peut que le panier qui ralentit émette un bruit de frottements rythmiques. Ceci est normal.
Fuites d'eau		
Vérifier ce qui suit pour que l'installation soit correcte :	La laveuse n'est pas d'aplomb.	Il est possible que de l'eau éclabousse en dehors du panier si la laveuse n'est pas d'aplomb.
	Les tuyaux de remplissage ne sont pas solidement fixés.	Serrer le raccord du tuyau de remplissage.
	Rondelles d'étanchéité des tuyaux de remplissage.	S'assurer que les quatre rondelles d'étanchéité plates des tuyaux de remplissage sont correctement installées.

Dépannage

Essayer d'abord les solutions suggérées ici ou consulter le site Web www.whirlpool.com/product_help –
Au Canada www.whirlpool.ca pour obtenir de l'aide et pour éviter une intervention de réparation.

Si les phénomènes suivants se produisent	Causes possibles	Solution
Fuites d'eau (suite)		
Vérifier ce qui suit pour que l'installation soit correcte : (suite)	Raccord du tuyau de vidange.	Tirer le tuyau de vidange de la caisse de la laveuse et le fixer correctement dans le tuyau de rejet à l'égout ou l'évier de buanderie. Ne pas placer de ruban adhésif sur l'ouverture du système de vidange.
	Inspecter le circuit de plomberie du domicile pour vérifier qu'il n'y a pas de fuites ou que l'évier ou le tuyau de vidange n'est pas obstrué.	De l'eau pourrait refouler de l'évier ou du tuyau de rejet à l'égout obstrué. Inspecter tout le circuit de plomberie du domicile (éviers de buanderie, tuyau de vidange, conduites d'eau et robinets) pour vérifier qu'il n'y a aucune fuite.
	La laveuse n'a pas été chargée comme recommandé.	Une charge déséquilibrée peut entraîner une déviation du panier et de l'eau pourrait alors éclabousser en dehors de la cuve. Voir "Utilisation de la laveuse" pour des instructions sur le chargement.
La laveuse ne fonctionne pas comme prévu		
Quantité d'eau insuffisante dans la laveuse	La charge n'est pas complètement submergée dans l'eau.	Ceci correspond à un fonctionnement normal pour une laveuse HE à faible consommation d'eau. La charge ne sera pas complètement submergée. La laveuse détecte la taille de la charge et ajoute la bonne quantité d'eau pour un nettoyage optimal. Voir "Quoi de neuf sous le couvercle". IMPORTANT : Ne pas ajouter d'eau dans la laveuse. De l'eau supplémentaire éloignerait la charge du plateau de lavage en la soulevant, ce qui réduirait la performance de nettoyage.
		Lancer le programme de nettoyage de la laveuse afin d'optimiser le niveau d'eau et la performance de lavage.
La laveuse ne fonctionne pas ou ne se remplit pas; elle cesse de fonctionner	Vérifier que la laveuse est correctement alimentée en eau.	Les deux tuyaux doivent être fixés et l'eau doit pénétrer dans la valve d'arrivée.
		Les robinets d'eau chaude et d'eau froide doivent être ouverts tous les deux.
		Vérifier que les tamis des valves d'arrivée ne sont pas obstrués.
		Vérifier que les tuyaux d'arrivée d'eau ne sont pas déformés; ceci peut réduire le débit.

Dépannage

⚠ AVERTISSEMENT



Risque de choc électrique

Brancher sur une prise à 3 alvéoles reliée à la terre.

Ne pas enlever la broche de liaison à la terre.

Ne pas utiliser un adaptateur.

Ne pas utiliser un câble de rallonge.

Le non-respect de ces instructions peut causer un décès, un incendie ou un choc électrique.

Essayer d'abord les solutions suggérées ici ou consulter le site Web www.whirlpool.com/product_help -
Au Canada www.whirlpool.ca pour obtenir de l'aide et pour éviter une intervention de réparation.

Si les phénomènes suivants se produisent	Causes possibles	Solution
La laveuse ne fonctionne pas comme prévu (suite)		
La laveuse ne fonctionne pas ou ne se remplit pas; elle cesse de fonctionner (suite)	Vérifier que l'alimentation électrique à la laveuse est correcte.	Brancher le cordon d'alimentation dans une prise à 3 alvéoles reliée à la terre.
		Ne pas utiliser de câble de rallonge.
		Vérifier que la prise est alimentée.
		Remettre un disjoncteur qui serait ouvert en marche. Remplacer tout fusible grillé. REMARQUE : Si le problème persiste, appeler un électricien.
	Fonctionnement normal de la laveuse.	Le couvercle doit être fermé pour que la laveuse puisse fonctionner.
		La laveuse fait des pauses durant certaines phases du programme. Ne pas interrompre le programme.
		On peut arrêter la laveuse pour réduire la production de mousse.
	La charge de la laveuse est peut-être trop tassée.	Retirer plusieurs articles, et réagencer la charge de façon uniforme le long du plateau de lavage. Fermer le couvercle et appuyer et maintenir enfoncer le bouton START/PAUSE (mise en marche/pause).
		Si l'on souhaite ajouter des vêtements une fois que la laveuse a démarré, n'en rajouter qu'un ou deux.
		Ne pas ajouter d'eau dans la laveuse.
Détergent HE non utilisé ou utilisation excessive de détergent HE.	Utiliser uniquement un détergent HE. La mousse produite par des détergents ordinaires peut ralentir ou arrêter la laveuse. Toujours mesurer la quantité de détergent et suivre les instructions figurant sur le détergent en fonction des modalités de nettoyage de la charge.	
	Pour éliminer la mousse, annuler le programme. Sélectionner RINSE & SPIN (rinçage et essorage). Appuyer et maintenir enfoncer le bouton START/PAUSE (mise en marche/pause). Ne pas ajouter de détergent.	
La laveuse ne se vidange/n'essore pas; les charges restent mouillées	Des petits articles sont peut-être coincés dans la pompe ou entre le panier et la cuve, ce qui peut ralentir la vidange.	Vider les poches et utiliser des sacs à linge pour les petits articles.
	Utiliser des programmes comportant une vitesse d'essorage inférieure.	Les programmes avec vitesses d'essorage réduites éliminent moins d'eau que les programmes qui comportent des vitesses d'essorage supérieures. Utiliser la vitesse d'essorage appropriée/le programme recommandé pour le vêtement.

Dépannage

Essayer d'abord les solutions suggérées ici ou consulter le site Web www.whirlpool.com/product_help –
Au Canada www.whirlpool.ca pour obtenir de l'aide et pour éviter une intervention de réparation.

Si les phénomènes suivants se produisent	Causes possibles	Solution
La laveuse ne fonctionne pas comme prévu (suite)		
La laveuse ne se vidange/n'essore pas; les charges restent mouillées (suite)	La charge de la laveuse est peut-être tassée ou déséquilibrée.	Des charges trop tassées peuvent empêcher la laveuse d'essorer correctement : les charges ressortent donc plus mouillées qu'elles ne devraient l'être. Répartir uniformément la charge mouillée pour que l'essorage soit équilibré. Sélectionner le programme RINSE & SPIN (rinçage et essorage) pour éliminer l'eau restée dans la laveuse. Voir "Utilisation de la laveuse" pour des recommandations sur la façon de charger la laveuse.
	Charge déséquilibrée.	Voir "Vibration ou déséquilibre" dans la section "Dépannage" pour plus d'informations.
	Inspecter le circuit de plomberie pour vérifier que le tuyau de vidange est correctement installé. Le tuyau de vidange se prolonge dans le tuyau rigide de rejet à l'égout au-delà de 4,5 po (114 mm).	Vérifier que le tuyau de vidange est correctement installé. Utiliser la bride de retenue pour tuyau de vidange et la fixer solidement au tuyau de rejet à l'égout ou à la cuve. Ne pas placer de ruban adhésif sur l'ouverture du système de vidange. Abaisser le tuyau de vidange si l'extrémité se trouve à plus de 96 po (2,4 m) au-dessus du plancher. Retirer toute obstruction du tuyau de vidange.
	Détergent HE non utilisé ou utilisation excessive de détergent HE.	Un excès de mousse causé par l'utilisation d'un détergent ordinaire ou d'un surplus de détergent peut ralentir ou arrêter la vidange ou l'essorage. Utiliser uniquement un détergent HE. Toujours mesurer les quantités et suivre les instructions figurant sur le détergent en fonction de la charge. Pour éliminer tout excès de mousse, sélectionner RINSE & SPIN (rinçage et essorage). Ne pas ajouter de détergent.
Températures de lavage ou de rinçage incorrectes	Vérifier que la laveuse est correctement alimentée en eau.	Vérifier que les tuyaux d'arrivée d'eau chaude et d'eau froide ne sont pas inversés.
		Les deux tuyaux doivent être raccordés à la fois à la laveuse et au robinet, et la valve d'arrivée doit recevoir à la fois de l'eau chaude et de l'eau froide.
		Vérifier que les tamis des valves d'arrivée ne sont pas obstrués.
	Températures de lavage contrôlées pour économies d'énergie.	Éliminer toute déformation des tuyaux.
Charge non rincée	Vérifier que la laveuse est correctement alimentée en eau.	Les laveuses certifiées ENERGY STAR® utilisent des températures de lavage et de rinçage inférieures à celles d'une laveuse traditionnelle à chargement par le dessus. Cela signifie également les températures de lavage à l'eau chaude et à l'eau tiède.
		Vérifier que les tuyaux d'arrivée d'eau chaude et d'eau froide ne sont pas inversés.
		Les deux tuyaux doivent être fixés et l'eau doit pénétrer dans la valve d'arrivée.
		Les robinets d'eau chaude et d'eau froide doivent être ouverts tous les deux.
		Les tamis de la valve d'arrivée d'eau de la laveuse sont peut-être obstrués.
	Éliminer toute déformation du tuyau d'arrivée.	
	Détergent HE non utilisé ou utilisation excessive de détergent HE.	La mousse produite par un détergent ordinaire peut empêcher la laveuse de fonctionner correctement.
Utiliser uniquement un détergent HE. Veiller à mesurer correctement.		
Toujours mesurer la quantité de détergent et suivre les instructions du détergent en fonction de la taille et du niveau de saleté de la charge.		

Dépannage

Essayer d'abord les solutions suggérées ici ou consulter le site Web www.whirlpool.com/product_help –
Au Canada www.whirlpool.ca pour obtenir de l'aide et pour éviter une intervention de réparation.

Si les phénomènes suivants se produisent	Causes possibles	Solution
La laveuse ne fonctionne pas comme prévu (suite)		
Charge non rincée (suite)	La charge de la laveuse est peut-être trop tassée.	La laveuse effectuera un rinçage moins performant si la charge est bien tassée.
		Charger les vêtements sans les tasser et de façon uniforme le long du plateau de lavage.
		Utiliser le programme conçu pour les tissus à laver.
		Si l'on souhaite ajouter des vêtements une fois que la laveuse a démarré, n'en rajouter qu'un ou deux.
Sable, poils d'animaux, charpie, etc. sur la charge après le lavage	Des résidus lourds de sable, de poils d'animaux, de charpie et de détergent ou d'agent de blanchiment peuvent nécessiter un rinçage supplémentaire.	Ajouter un Extra Rinse (rinçage supplémentaire) au programme sélectionné.
La charge est emmêlée	La laveuse n'a pas été chargée comme recommandé.	Charger les vêtements sans les tasser et de façon uniforme le long du plateau de lavage.
		Réduire l'emmêlement en mêlant plusieurs types d'articles dans la charge. Utiliser le programme recommandé correspondant aux types de vêtements à laver.
	Action de lavage ou vitesse d'essorage trop rapide pour la charge.	Sélectionner un programme comportant un lavage plus lent et une vitesse d'essorage inférieure. Noter que les articles seront plus mouillés que si l'on utilise une vitesse d'essorage supérieure.
Ne nettoie ou ne détache pas	La charge de lavage n'est pas complètement submergée dans l'eau.	La laveuse détecte la taille de la charge et ajoute la quantité d'eau adéquate. Ceci est normal et nécessaire au mouvement des vêtements.
	Davantage d'eau a été ajoutée à la laveuse.	Ne pas ajouter d'eau dans la laveuse. De l'eau supplémentaire éloignerait le linge du plateau de lavage en le soulevant, ce qui réduirait la performance de nettoyage.
	La laveuse n'a pas été chargée comme recommandé.	Charger les vêtements sans les tasser et de façon uniforme le long du plateau de lavage.
		Si l'on souhaite ajouter des vêtements une fois que la laveuse a démarré, n'en rajouter qu'un ou deux.
		La mousse produite par un détergent ordinaire peut garder la laveuse de fonctionner correctement.
	Détergent HE non utilisé ou utilisation excessive de détergent HE.	Utiliser uniquement un détergent HE. Veiller à mesurer correctement.
		Toujours mesurer la quantité de détergent et suivre les instructions figurant sur le détergent en fonction de la taille et du niveau de saleté de la charge.
		Utiliser une option de programme de niveau de saleté plus élevée et une température de lavage plus chaude pour améliorer le nettoyage.
	Programme utilisé incorrect par rapport au type de tissu.	Si l'on utilise le programme Quick Wash (lavage rapide), ne laver que quelques articles.
		Utiliser le programme Whites (blancs) Normal pour un nettoyage puissant.
Voir le "Guide de programmes" pour utiliser le programme qui correspond le mieux à la charge utilisée.		
Utiliser les distributeurs pour éviter que l'agent de blanchiment ou l'assouplissant ne tachent les vêtements.		
Distributeurs non utilisés.		Remplir les distributeurs avant de démarrer un programme.

Dépannage

Essayer d'abord les solutions suggérées ici ou consulter le site Web www.whirlpool.com/product_help –
Au Canada www.whirlpool.ca pour obtenir de l'aide et pour éviter une intervention de réparation.

Si les phénomènes suivants se produisent	Causes possibles	Solution
La laveuse ne fonctionne pas comme prévu (suite)		
Ne nettoie ou ne détache pas (suite)	Distributeurs non utilisés. (suite)	Éviter de les remplir excessivement. Ne pas verser de produits directement sur la charge.
	Les couleurs similaires ne sont pas lavées ensemble.	Laver ensemble les couleurs semblables et les retirer rapidement une fois le programme terminé pour éviter tout transfert de teinture.
Odeurs	L'entretien mensuel n'est pas effectué comme recommandé.	Faire fonctionner le programme Clean Washer (nettoyage de la laveuse) après chaque série de 30 lavages. Voir "Entretien de la laveuse" dans la section "Entretien de la laveuse". Décharger la laveuse dès que le programme est terminé.
	Détergent HE non utilisé ou utilisation excessive de détergent HE.	Utiliser uniquement un détergent HE. Veiller à mesurer correctement.
		Toujours suivre les instructions du détergent.
		Voir la section "Entretien de la laveuse".
Dommages aux tissus	Des objets pointus se trouvaient dans les poches au moment du programme de lavage.	Vider les poches, fermer les fermetures à glissière, les boutons pression et les agrafes avant le lavage pour éviter d'accrocher et de déchirer le linge.
	Les cordons et les ceintures se sont peut-être emmêlés.	Attacher tous les cordons et les ceintures avant de démarrer le nettoyage de la charge.
	Les articles étaient peut-être endommagés avant le lavage.	Raccorder les déchirures et repriser les fils cassés des coutures avant le lavage.
	Les tissus peuvent subir des dommages si l'on tasse le linge dans la laveuse.	Charger les vêtements sans les tasser et de façon uniforme le long du plateau de lavage.
		Les articles de la charge devraient bouger librement pendant le cycle de lavage pour éviter des dommages.
		Utiliser le programme conçu pour les tissus à laver.
	Si l'on souhaite ajouter des vêtements une fois que la laveuse a démarré, n'en rajouter qu'un ou deux.	
	Les instructions de soin des vêtements n'ont peut-être pas été suivies.	Toujours lire et suivre les instructions d'entretien du fabricant indiquées sur l'étiquette du vêtement. Voir le "Guide de programmes" pour utiliser le programme qui correspond le mieux à la charge utilisée.
	Vous n'avez peut-être pas ajouté l'agent de blanchiment liquide correctement.	Ne pas verser d'eau de Javel directement sur la charge. Essuyer tous les renversements d'agent de blanchiment.
		Un agent de blanchiment non dilué endommagera les tissus. Ne pas utiliser plus que la quantité recommandée par le fabricant.
Ne pas placer d'articles sur le dessus du distributeur d'agent de blanchiment lorsqu'on charge et décharge la laveuse.		
Fonctionnement incorrect du distributeur	Distributeurs obstrués ou produits de lessive distribués trop tôt.	Ne pas remplir excessivement le distributeur. Un remplissage excessif peut entraîner une distribution immédiate.
		Remplir les distributeurs avant de démarrer un programme.
		Il est normal qu'il reste de petites quantités d'eau dans le distributeur une fois le programme terminé.
		L'assouplissant épaisit lorsqu'il refroidit. Si de l'assouplissant s'accumule dans le distributeur après un programme, vérifier la date péremption et le remplacer si nécessaire.
		Pour les domiciles présentant une basse pression d'eau, il est possible qu'il reste de la poudre dans le distributeur. Pour éviter cela, sélectionner une température de lavage plus chaude si possible, en fonction de la charge.
	L'agent de blanchiment liquide n'a pas été versé dans le distributeur.	Utiliser seulement un agent de blanchiment liquide dans le distributeur d'agent de blanchiment.

Dépannage

Essayer d'abord les solutions suggérées ici ou consulter le site Web www.whirlpool.com/product_help –
Au Canada www.whirlpool.ca pour obtenir de l'aide et pour éviter une intervention de réparation.

Si les phénomènes suivants se produisent	Causes possibles	Solution
La laveuse ne fonctionne pas comme prévu (suite)		
Le détergent en poudre ne se dissout pas complètement dans la charge	Utilisation excessive de détergent HE.	Suivre les recommandations du fabricant pour déterminer la quantité de détergent à utiliser.
	La température de l'eau est très froide.	Sélectionner une température de lavage plus chaude. Ajouter le détergent dans le panier avant d'ajouter le linge, plutôt que d'utiliser le distributeur de détergent.
Le sachet de lessive à dose unique ne se dissout pas	Sachet de lessive mal utilisé.	Veiller à ajouter le sachet de lessive dans le panier de la laveuse avant d'ajouter les vêtements. Suivre les instructions du fabricant pour éviter d'endommager les vêtements.
Un code d'erreur apparaît sur l'afficheur		
Un code F#E# (code d'erreur de type F) apparaît sur l'affichage	Code d'erreur du système.	Appuyer sur le bouton POWER (mise sous tension) pour effacer le code et sortir du programme. Ensuite, appuyer sur le bouton POWER (mise sous tension), choisir un programme et appuyer et maintenir enfoncé le bouton START/PAUSE (mise en marche/pause) pour démarrer la laveuse. Si le code réapparaît, faire un appel de service.
F8E1 ou LF (remplissage trop long) apparaît sur l'affichage	La laveuse met trop de temps à se remplir. Le tuyau de vidange se prolonge dans le tuyau rigide de rejet à l'égout au-delà de 4,5" (114 mm).	Inspecter le circuit de plomberie pour vérifier que le tuyau de vidange est correctement installé. Utiliser la bride de retenue pour tuyau de vidange et la fixer solidement au tuyau de rejet à l'égout ou à la cuve. Ne pas placer de ruban adhésif sur l'ouverture du système de vidange. Voir les Instructions d'installation.
		S'assurer que l'alimentation en eau est ouverte.
F9E1, drn, dr (erreur du système de pompe de vidange – vidange longue) apparaît sur l'affichage	La laveuse met trop de temps à se vidanger. Le tuyau de vidange se prolonge dans le tuyau rigide de rejet à l'égout au-delà de 4,5 po (114 mm).	Inspecter le circuit de plomberie pour vérifier que le tuyau de vidange est correctement installé. Utiliser la bride de retenue pour tuyau de vidange et la fixer solidement au tuyau de rejet à l'égout ou à la cuve. Ne pas placer de ruban adhésif sur l'ouverture du système de vidange.
		Abaisser le tuyau de vidange si l'extrémité se trouve à plus de 96 po (2,4 m) au-dessus du plancher. Retirer toute obstruction du tuyau de vidange. Voir les Instructions d'installation.
F8E6 (couvercle ouvert) apparaît sur l'affichage	Le couvercle de la laveuse est resté ouvert.	Fermer le couvercle et appuyer sur le bouton POWER (mise sous tension) pour effacer l'affichage. Si le couvercle reste ouvert pendant plus de 10 minutes, le programme reprend depuis le début et l'eau présente dans la laveuse est vidangée.
F1E1 ACU (erreur du module de commande de l'appareil)	Erreur du module de commande interne.	Faire un appel de service.
F2E3 Non concordance entre l'interface utilisateur et le module de commande	Le mauvais module de commande ou la mauvaise interface utilisateur a été installé.	Faire un appel de service.
F3E1 Erreur de détection du niveau d'eau	Erreur du capteur de pression du module de commande.	Faire un appel de service.
F5E2 Le couvercle ne se verrouille pas ou défaillance du verrouillage du couvercle	Un des articles de la charge empêche peut-être le couvercle de se verrouiller.	Vérifier qu'aucun article ne se trouve sous le couvercle.
F5E3 Le couvercle ne se déverrouille pas	Des objets sur le couvercle de la laveuse l'empêchent de se déverrouiller.	Retirer les objets, tels qu'un panier de linge, du dessus de la laveuse.

Dépannage

Essayer d'abord les solutions suggérées ici ou consulter le site Web www.whirlpool.com/product_help –
Au Canada www.whirlpool.ca pour obtenir de l'aide et pour éviter une intervention de réparation.

Si les phénomènes suivants se produisent	Causes possibles	Solution
Un code d'erreur apparaît sur l'afficheur (suite)		
F6E2 ou F6E3 Erreur de communication : L'interface utilisateur ne communique pas	Erreur de synchronisation du module de commande ou de l'interface utilisateur.	Déconnecter la laveuse de la source d'électricité. Laisser la laveuse reposer pendant 5 minutes pour s'éteindre complètement. Mettre la laveuse sous tension et contrôler les codes d'erreur. Si le code d'erreur réapparaît, faire un appel de service.
"Ofb" déséquilibré	La charge n'est pas équilibrée ou distribuée de façon uniforme le long du panier.	Le programme est suspendu, signalée par le témoin de Start/Pause (mise en marche/pause) clignotant. Ouvrir le couvercle, redistribuer la charge et fermer le couvercle. Appuyer sans relâcher sur le bouton START/PAUSE (mise en marche/pause) pour reprendre.

GARANTIE DES APPAREILS DE BUANDERIE WHIRLPOOL®

ATTACHEZ ICI VOTRE REÇU DE VENTE. UNE PREUVE D'ACHAT EST OBLIGATOIRE POUR OBTENIR L'APPLICATION DE LA GARANTIE.

Lorsque vous appelez le centre d'eXpérience de la clientèle, veuillez garder à disposition les renseignements suivants :

- Nom, adresse et numéro de téléphone
- Numéros de modèle et de série
- Une description claire et détaillée du problème rencontré
- Une preuve d'achat incluant le nom et l'adresse du marchand ou du détaillant

SI VOUS AVEZ BESOIN DE SERVICE :

1. Avant de nous contacter pour obtenir un dépannage, veuillez déterminer si des réparations sont nécessaires pour votre produit. Certains problèmes peuvent être résolus sans intervention de dépannage. Prenez quelques minutes pour parcourir la section Dépannage ou Résolution des problèmes du guide d'utilisation et d'entretien, scannez le code QR ci-contre pour accéder à des ressources supplémentaires, ou rendez-vous sur le site https://www.whirlpool.ca/product_help.
2. Tout service sous garantie doit être effectué exclusivement par nos fournisseurs de dépannage autorisés Whirlpool. Aux É.-U. et au Canada, dirigez toutes vos demandes de service sous garantie au :



https://www.whirlpool.ca/product_help

Centre d'eXpérience de la clientèle Whirlpool

Aux É.-U., composer le 1-800-253-1301. Au Canada, composer le 1-800-807-6777.

Si vous résidez à l'extérieur du Canada et des 50 États des États-Unis, contactez votre marchand Whirlpool autorisé pour déterminer si une autre garantie s'applique.

GARANTIE LIMITÉE D'UN AN

CE QUI EST COUVERT

Pendant un an à compter de la date d'achat, lorsque ce gros appareil ménager est installé, utilisé et entretenu conformément aux instructions jointes à ou fournies avec le produit, Whirlpool Corporation ou Whirlpool Canada LP (ci-après désignées "Whirlpool") décidera à sa seule discrétion de remplacer le produit ou de couvrir le coût des pièces de remplacement spécifiées par l'usine et de la main-d'œuvre nécessaires pour corriger les vices de matériaux ou de fabrication qui existaient déjà lorsque ce gros appareil ménager a été acheté. S'il est remplacé, votre appareil restera sous garantie pour la durée restant à courir de la période de garantie sur le produit d'origine.

LE SEUL ET EXCLUSIF RECOURS DU CLIENT DANS LE CADRE DE LA PRÉSENTE GARANTIE LIMITÉE CONSISTE EN LA RÉPARATION PRÉVUE CI-DESSUS. Le service doit être fourni par une compagnie de service désignée par Whirlpool. Cette garantie limitée est valide uniquement aux États-Unis ou au Canada et s'applique exclusivement lorsque le gros appareil ménager est utilisé dans le pays où il a été acheté. La présente garantie limitée entre en vigueur à compter de la date d'achat initial par le consommateur. Une preuve de la date d'achat d'origine est exigée pour obtenir un service dans le cadre de la présente garantie limitée.

CE QUI N'EST PAS COUVERT

1. Usage commercial, non résidentiel ou par plusieurs familles, ou non-respect des instructions de l'utilisateur, de l'opérateur ou des instructions d'installation.
2. Visite d'instruction à domicile pour montrer à l'utilisateur comment utiliser l'appareil.
3. Visites de service pour rectifier une installation ou un entretien fautifs du produit, une installation non conforme aux codes d'électricité ou de plomberie, ou la rectification de l'installation électrique ou de la plomberie du domicile (ex : câblage électrique, fusibles ou tuyaux d'arrivée d'eau du domicile).
4. Pièces consommables (ex : ampoules, batteries, filtres à air ou à eau, solutions de conservation, etc.).
5. Défauts ou dommage résultant de l'utilisation de pièces ou accessoires Whirlpool non authentiques.
6. Conversion de votre produit du gaz naturel ou du gaz de pétrole liquéfié, ou inversion des portes de l'appareil.
7. Dommages causés par : accident, mésusage, abus, incendie, inondations, catastrophe naturelle ou l'utilisation de produits non approuvés par Whirlpool.
8. Réparations aux pièces ou systèmes dans le but de rectifier un dommage ou des défauts résultant d'une réparation, d'une altération ou d'une modification non autorisée de l'appareil.
9. Défauts d'apparence, notamment les éraflures, traces de choc, fissures ou tout autre dommage subi par le fini de l'appareil ménager, à moins que ces dommages ne résultent de vices de matériaux ou de fabrication et ne soient signalés à Whirlpool dans les 30 jours.
10. Décoloration, rouille ou oxydation des surfaces résultant d'environnements caustiques ou corrosifs incluant des concentrations élevées de sel, un haut degré d'humidité ou une exposition à des produits chimiques (exemples non exhaustifs).
11. Enlèvement ou livraison. Ce produit est conçu pour être réparé à l'intérieur du domicile.
12. Frais de déplacement et de transport pour le dépannage/la réparation dans une région éloignée où une compagnie de service Whirlpool autorisée n'est pas disponible.
13. Retrait ou réinstallation d'appareils inaccessibles ou de dispositifs préinstallés (ex : garnitures, panneaux décoratifs, plancher, îlots de cuisine, plans de travail, panneaux de gypse, etc.) qui entravent le dépannage, le retrait ou le remplacement du produit.
14. Service et pièces pour des appareils dont les numéros de série et de modèle originaux ont été enlevés, modifiés ou ne peuvent pas être facilement identifiés.

Le coût d'une réparation ou d'un remplacement dans le cadre de ces circonstances exclues est à la charge du client.

CLAUSE D'EXONÉRATION DE RESPONSABILITÉ AU TITRE DES GARANTIES IMPLICITES

LES GARANTIES IMPLICITES, Y COMPRIS LES GARANTIES APPLICABLES DE QUALITÉ MARCHANDE OU D'APTITUDE À UN USAGE PARTICULIER, SONT LIMITÉES À UN AN OU À LA PLUS COURTE PÉRIODE AUTORISÉE PAR LA LOI. Certains États et certaines provinces ne permettent pas de limitation sur la durée de garanties implicites de qualité marchande ou d'aptitude à un usage particulier, de sorte que la limitation ci-dessus peut ne pas être applicable dans votre cas. Cette garantie vous confère des droits juridiques spécifiques, et vous pouvez également jouir d'autres droits qui peuvent varier d'une juridiction à l'autre.

EXONÉRATION DE RESPONSABILITÉ EN DEHORS DE LA GARANTIE

Whirlpool ne prend aucun engagement quant à la qualité ou la durabilité de l'appareil, ou en cas de dépannage ou de réparation nécessaire sur ce gros appareil ménager, autre que les engagements énoncés dans la présente garantie. Si vous souhaitez une garantie prolongée ou plus complète que la garantie limitée fournie avec ce gros appareil ménager, renseignez-vous auprès de Whirlpool ou de votre détaillant à propos de l'achat d'une extension de garantie.

LIMITATION DES RECOURS; EXCLUSION DES DOMMAGES FORTUITS OU INDIRECTS

LE SEUL ET EXCLUSIF RECOURS DU CLIENT DANS LE CADRE DE LA PRÉSENTE GARANTIE LIMITÉE CONSISTE EN LA RÉPARATION PRÉVUE CI-DESSUS. WHIRLPOOL N'ASSUME AUCUNE RESPONSABILITÉ POUR LES DOMMAGES FORTUITS OU INDIRECTS. Certains États et certaines provinces ne permettent pas l'exclusion ou la limitation des dommages fortuits ou indirects de sorte que ces limitations et exclusions peuvent ne pas être applicables dans votre cas. Cette garantie vous confère des droits juridiques spécifiques, et vous pouvez également jouir d'autres droits qui peuvent varier d'une juridiction à l'autre.

11/14

Notes

Notes

Assistance or Service

Before calling for assistance or service, please check "Troubleshooting" or visit www.whirlpool.com/help. It may save you the cost of a service call. If you still need help, follow the instructions below. When calling, please know the purchase date and the complete model and serial number of your appliance. This information will help us to better respond to your request.

If you need replacement parts or to order accessories

We recommend that you use only FSP® Factory Specified Parts. These parts will fit right and work right because they are made with the same precision used to build every new WHIRLPOOL® appliance.

To locate FSP® replacement parts or accessories go to www.whirlpoolpartsonline.com.

Questions? Call us toll free at **1-866-698-2538** or in Canada call **1-800-688-2002**.

Our consultants provide assistance with

In the U.S.A.

- Features and specifications on our full line of appliances.
- Installation information.
- Specialized customer assistance (Spanish speaking, hearing impaired, limited vision, etc.).

In the U.S.A. and Canada

- Use and maintenance procedures.
- Accessory and repair parts sales.
- Referrals to local dealers, repair parts distributors, and service companies. Whirlpool designated service technicians are trained to fulfill the product warranty and provide after-warranty service, anywhere in the United States and Canada.

You can write with any questions or concerns at:

Whirlpool Brand Appliances
Customer eXperience Center
553 Benson Road
Benton Harbor, MI 49022-2692
1-866-698-2538

Whirlpool Brand Appliances
Customer eXperience Centre
Unit 200-6750 Century Ave
Mississauga, Ontario L5N 0B7
1-800-688-2002

Please include a daytime phone number in your correspondence.

Assistance ou Service

Avant de faire un appel pour obtenir de l'assistance ou un entretien, vérifiez la section "Dépannage" ou consulter www.whirlpool.com/help. Cette vérification peut vous faire économiser le coût d'une visite de réparation.

Si vous avez encore besoin d'aide, suivez les instructions ci-dessous.

Lors d'un appel, garder à portée de main la date d'achat et les numéros de modèle et de série de votre appareil. Ces renseignements nous aideront à mieux répondre à votre demande.

Pour commander des pièces de rechange ou des accessoires

Pour commander des pièces de rechange, nous vous recommandons d'utiliser seulement des pièces spécifiées par l'usine. Ces pièces conviendront et fonctionneront bien parce qu'elles sont fabriquées selon les mêmes spécifications précises utilisées pour construire chaque nouvel appareil WHIRLPOOL®.

Pour trouver des pièces de rechange FSP® ou des accessoires, visiter le www.whirlpool.ca.

Des questions? Composer le numéro sans frais **1-800-688-2002**.

Nos consultants fournissent l'assistance pour :

- Procédés d'utilisation et d'entretien.
- Vente d'accessoires et de pièces de rechange.
- Références aux concessionnaires, compagnies de service de réparation et distributeurs de pièces de rechange locaux. Les techniciens de service désignés par Whirlpool sont formés pour remplir la garantie des produits et fournir un service après la garantie, partout au Canada.

Pour plus d'assistance

Vous pouvez nous soumettre toute question ou tout problème en écrivant à l'adresse ci-dessous :

Whirlpool Brand Appliances
Centre pour l'eXpérience de la clientèle
Unit 200-6750 Century Ave
Mississauga, Ontario L5N 0B7
1-800-688-2002

Dans votre correspondance, veuillez indiquer un numéro de téléphone où nous pouvons vous joindre dans la journée.