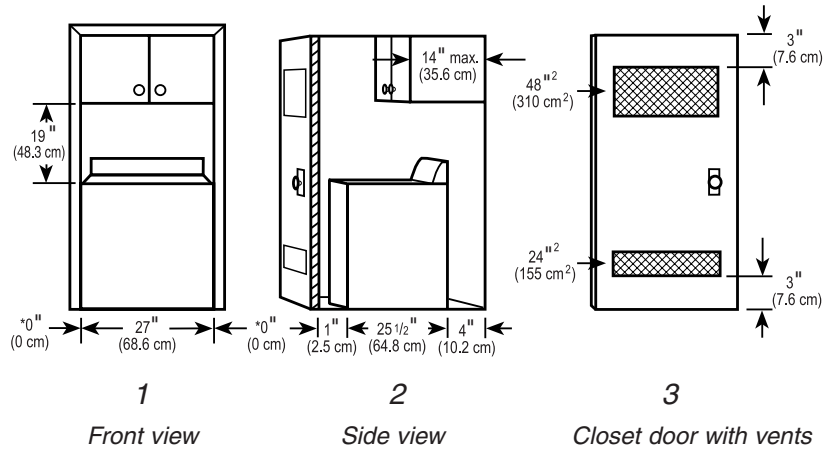


## PRODUCT MODEL NUMBERS

GST9679P	LSQ9549P
GSW9800P	LSQ9550P
LBR4132P	LSQ9560P
LBR5432P	LSQ9650P
LSB6000P	LSQ9659P
LSB6200P	LSQ9660P
LSB6300P	LSR5132P
LSB6500P	LSR7010P
LSC5000P	LSR7133P
LSC9000P	LSR7300P
LSN1000P	LSR7333P
LSN2000P	LSR8010P
LSN3000P	LSR9434P
LSQ8000L	LSW9700P
LSQ9010P	LSW9750P
LSQ9030P	LXR7244P
LSQ9110P	WTW5300S
LSQ9200P	WTW5800S

## RECESSED AREA AND CLOSET INSTALLATION

For closet installation, with a door, the minimum ventilation openings in the top and bottom of the door are required (view 2). Louvered doors with equivalent air ventilation openings in the top and bottom are acceptable.



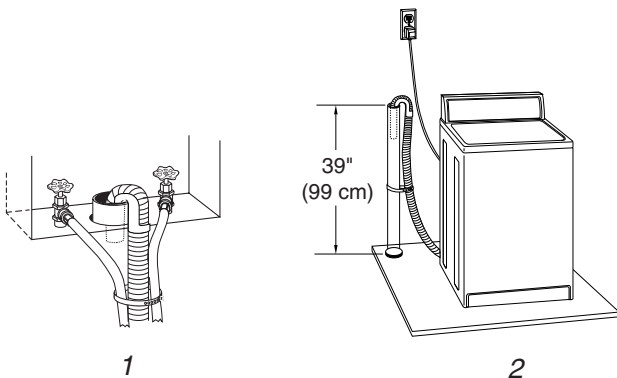
**Electrical:** 120-volt, 60 Hz, AC-only, 15 or 20 amp electrical supply. A time-delay fuse or circuit breaker and separate circuit is recommended.

## DRAIN SYSTEM OPTIONS

### Standpipe drain system - wall or floor (view 1 & 2)

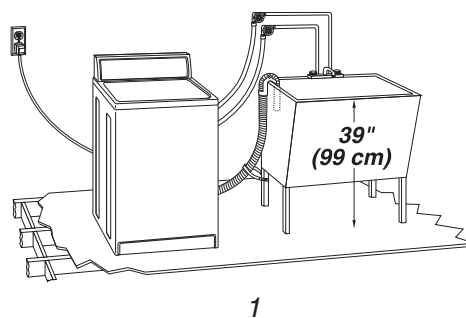
The standpipe drain requires a minimum diameter standpipe of 2" (5 cm). The minimum carry-away capacity can be no less than 17 gal. (64 L) per minute.

The top of the standpipe must be at least 39" (99 cm) high and no higher than 96" (244 cm) from the bottom of the washer.



### Laundry tub drain system (view 1)

The laundry tub needs a minimum 20 gal. (76 L) capacity. The top of the laundry tub must be at least 39" (99 cm) above the floor and no higher than 96" (244 cm) from the bottom of the washer.



### Floor drain system (view 2)

The floor drain system requires a siphon break that may be purchased separately. The siphon break must be a minimum of 28" (71 cm) from the bottom of the washer. Additional hoses might be needed.

