

WTT32I

Stainless Steel Chimney Wall Hood

HVI certified performance

Heat Sentry™ detects excessive heat and adjusts speed to high automatically

5 minute delay off feature and reminder light for filter maintenance

Telescopic flue for 8–9' ceilings is standard; flue extensions for 10' ceilings and custom extensions available

Recirculating flues have vent openings to allow non-ducted operation and may be exposed in ducted applications with 9' ceilings



Hood Sizes

Width 30": WTT32I30SB, **36":** WTT32I36SB, **42":** WTT32I42SB, **48":** WTT32I48SB
Depth 22"(all widths)

Finish

Stocked Brushed Standard Grade Stainless Steel
 Special Order Not Available

Features

Light Type Halogen 50W, GU10
 Number of Lamps 2 (30", 36"); 3 (42", 48")
 Lighting Levels 3
 Lighting Lamps Included Yes
 Control Type 4-Speed, Electronic Push-button
 Control Features Heat Sentry™
 Control Remote No
 Filter: Stainless Steel Mesh
 Filter: Options None Available
 Non-ducted Capability Yes for 30", 36" and 42"

Blower

Internal CFM Single; 600 CFM: WTT32I30SB, WTT32I36SB, WTT32I42SB
 Dual; 1200 CFM: WTT32I48SB
 Sones at Normal 1.4 Single / 2.0 Dual

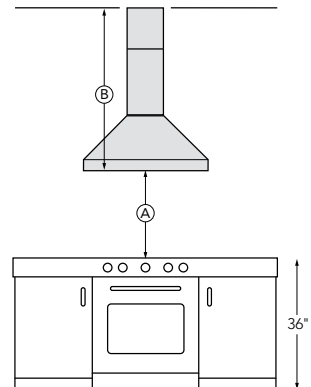
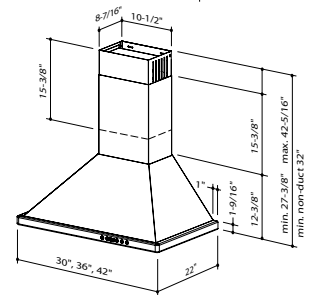
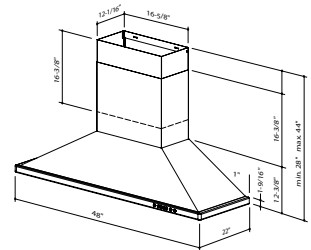


Accessories

Optional: Automatic make-up air damper MD6T or MD8T
 Non-Duct Recirculating Kit: ANKWTT320 for 30"; ANKWTT326 for 36" & 42"
 Decorative Trim: Not available

Installation Requirements

Amps @ 120V 4.5 (30", 36"), 5.0 (42"), 7.5 (48")
 Electrical Plug-in
 Duct Size: Internal 600 CFM Blower: 8" Round
 Duct Size: Internal 1200 CFM Blower: 10" Round
 Duct Direction Vertical
 Backdraft Damper Included



A. Installation height above the cooking surface 24–30"
 B. Minimum/maximum distance from bottom of range hood to top of telescopic flue : 27-3/8" – 42-5/16"



4-Speed Electronic push-button control provides full range of operation



Quick release stainless steel filter is dishwasher safe



Designed to work with MD6T and MD8T Broan Make-Up Air Dampers

