



400 series storage drawer  
**WS 463**

**WS 463 010**

Stainless steel-backed glass front  
 Width 24" (60 cm), Height 8 3/16"  
 (21 cm)

**Installation accessories**

**BA 476 510**

Optional handle, stainless steel  
 Length 17 1/16"

- Handleless storage drawer.
- Perfect for a side-by-side combination of a 30" single oven and 24" combi-steam oven or 24" coffee machine.
- Soft-closing system.
- Provides easy storage for cookware and cooking utensils.
- Stainless steel interior with glass bottom.
- Net volume 1.1 cu.ft.

**Operation**

Recessed grip at the front bottom center of drawer.

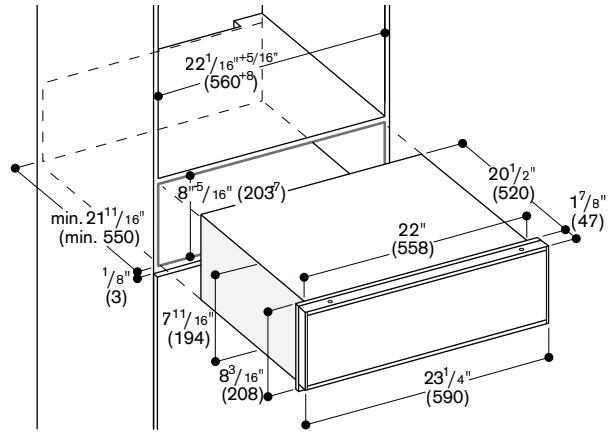
**Features**

Usable interior dimensions:  
 H 3 3/4" x W 18 1/16" x D 18 1/16"  
 Base plate made of safety glass.  
 Max. load 33 lbs.

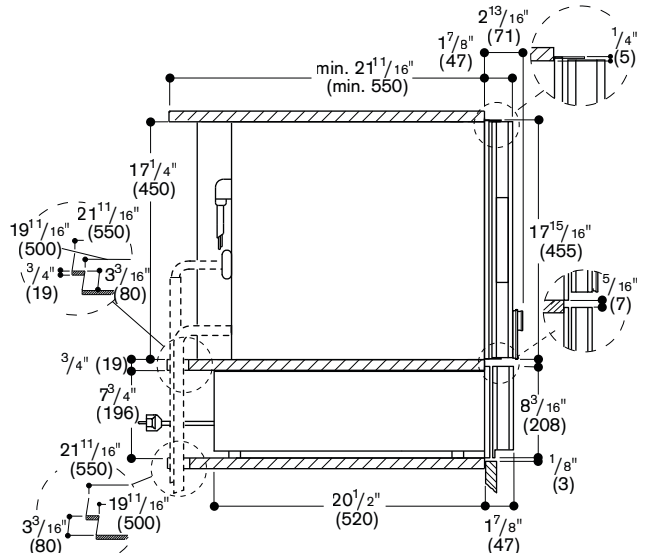
**Planning notes**

The front of the appliance extends 1 7/8" from the cabinet front.  
 Always use an intermediate shelf – at least 3/4" thick – when mounting a 400 series single oven / combi-steam oven or coffee machine above the storage drawer.

Please read the installation details regarding air openings on pages 6–7.



**Side view of WS 463 below BS combi-steam oven or CM coffee machine**



Numbers indicated  
 inside parenthesis ( ) = mm