

Whirlpool® Side-By-Side Refrigerator

WSF26D2EX



Key Features

- SpillGuard™ Shelves
- (3) Gallon Door Bins
- Industry's Largest Crisper
- Tall and Flush Dispenser
- Hidden Hinges
- FreshFlow™ Air Filter



AjMadison
Your Appliance Authority™
800-570-3355



Whirlpool® Side-By-Side Refrigerator

WSF26D2EX

Specifications

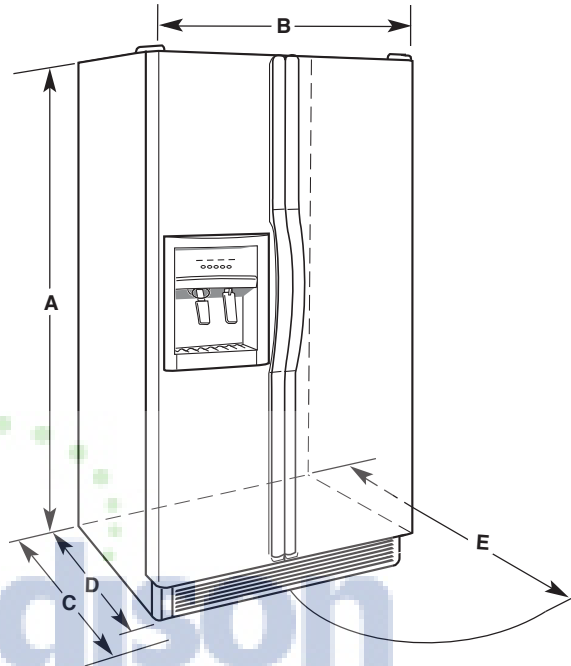
CAPACITY	
Total Volume (cu. ft.)	26.4
Refrigerator Volume (cu. ft.)	16.43
Freezer Volume (cu. ft.)	9.97
ENERGY STAR® Qualified	Yes
REFRIGERATOR	
Electronic Controls	Yes
6-Month Filtration System	Yes
Filter Indicator Light Location	Yes
Adjustable Cantilever Shelves	SpillGuard™
Clear, Humidity-Controlled Crisper	Yes
Clear, Temperature-Controlled Meat Pan	Yes
Clear Snack Pan	Yes
Clear, Gallon Door Bins	Yes
FREEZER	
Ice and Water Dispenser	Yes-Crushed/Cubed
Dispenser Lockout	Yes
Light	Yes
Factory-Installed Ice Maker	Yes
Freezer Door Bins	4
Freezer Compartment Shelves	3
Slide-Out Bins	3
CONSTRUCTION	
Foam-In-Place Doors	Yes
Double Tub Construction	Yes
Textured Steel Doors/Cabinet	Smooth Doors/ Textured Cabinet
Auto Exterior Moisture Control	Yes
Color-Coordinated Handles	Yes
Color-Coordinated Grille	Yes
Door Handles	Classic
GENERAL INFORMATION	
Adjustable Rubber Rollers/Levelers	Yes

All dimensions are shown in inches.

COLOR AVAILABILITY	W, B, F, Y
--------------------	------------

*W-White, B-Black, F-Monochromatic Satina® Stainless-Look Finish and Y-Monochromatic Stainless Steel

Dimensions



Product Dimensions

A	Height Height to Top of Cabinet	68½
B	Cabinet Width* Width of Cabinet Only	35.43
C	Depth Including Handles Depth Closed Including Handles	34.10
D	Depth Less Door and Base Grille Minimum width of any doorway refrigerator must pass through	29.33
E	Depth Extreme Swing of Door Depth with Door Open 90°	50¾

*Add 1/2" to each side for recessed installation.
All dimensions are shown in inches.

Dimensions are for planning purposes only. For complete details, see Installation Instructions packed with product. Specifications subject to change without notice.